

OWNER'S MANUAL 2010

690 Duke USA

Art. no. 3211521en



KTM

DEAR KTM CUSTOMER

Congratulations on your decision to buy a KTM motorcycle. You are now the owner of a state-of-the-art sports motorcycle that will give you enormous pleasure if you service and maintain it accordingly.

We wish you a lot of enjoyment in riding this vehicle!

Enter the serial numbers of your vehicle below.

	Dealer's stamp
Engine number (☛ p. 23)	
Key number (☛ p. 23)	

The owner's manual corresponded to the latest state of this series at the time of printing. Slight deviations resulting from continuing development and design of our vehicles cannot, however, be completely excluded.

All specifications are non-binding. KTM Sportmotorcycle AG specifically reserves the right to modify or delete technical specifications, prices, colors, forms, materials, services, designs, equipment, etc., without prior notice and without specifying reasons, to adapt these to local conditions, as well as to stop production of a particular model without prior notice. KTM accepts no liability for delivery options, deviations from illustrations and descriptions, as well as misprints and other errors. The models portrayed partly contain special equipment that does not belong to the regular scope of delivery.

© 2009 KTM-Sportmotorcycle AG, Mattighofen Austria

All rights reserved

Reproduction, even in part, as well as copying of all kinds, is permitted only with the express written permission of the copyright owner.



ISO 9001(12 100 6061)












According to the international quality management standard ISO 9001, KTM uses quality assurance processes that lead to the maximum possible quality of the products.










Issued by: TÜV Management Service

REG.NO. 12 100 6061

KTM-Sportmotorcycle AG
5230 Mattighofen, Austria

MEANS OF REPRESENTATION	6	Combination instrument - time	34
IMPORTANT INFORMATION	7	Setting the clock	34
Overview of warning labels.....	10	Combination instrument - display ODO	35
VIEW OF VEHICLE.....	18	Combination instrument - setting/resetting TRIP 1.....	35
View of vehicle, front left side.....	18	Combination instrument - setting/resetting TRIP 2.....	36
View of vehicle, rear right side	20	Combination instrument - TRIP F display.....	37
LOCATION OF SERIAL NUMBERS	22	Combination instrument - coolant temperature indicator	37
Chassis number/type label.....	22	Opening filler cap.....	38
Key number	23	Closing filler cap	38
Engine number.....	23	Fuel taps	39
Fork part number.....	24	Handrails.....	39
Shock absorber part number	24	Seat lock	40
CONTROLS	25	Owner's manual.....	40
Clutch lever	25	Tool set	41
Hand brake lever	25	Passenger footrests.....	41
Light switch	26	Shift lever.....	42
Headlight flasher switch.....	26	Foot brake lever.....	43
Turn signal switch	27	Side stand	43
Horn button	27	GENERAL TIPS AND HINTS ON PUTTING INTO OPERATION.....	44
Ignition/steering lock	28	Advice on first use.....	44
Emergency OFF switch.....	28	Running in the engine.....	45
Electric starter button	29	Loading the vehicle	46
Combination instrument.....	29	RIDING INSTRUCTIONS	48
Combination instrument - function buttons	30	Checks before putting into operation	48
Combination instrument - tachometer.....	30	Starting.....	49
Combination instrument - indicator lamps.....	31	Starting up	50
Combination instrument - display.....	32	Shifting, riding.....	50
Combination instrument - speedometer.....	33	Braking	54
Setting kilometers or miles	33		

Stopping, parking	55	Checking the free travel of foot brake lever.....	79
Refueling.....	56	Adjusting the basic position of the foot brake lever 	80
SERVICE PLAN	59	Checking rear brake fluid level	81
Service schedule	59	Adding rear brake fluid 	82
MAINTENANCE WORK ON CHASSIS AND ENGINE.....	61	Checking the rear brake linings.....	84
Jacking up front of motorcycle	61	Removing the front wheel 	84
Taking the front from the work stand	61	Installing the front wheel 	85
Jacking up rear of motorcycle	62	Removing rear wheel 	87
Taking the rear from the work stand	62	Installing the rear wheel 	88
Fork/shock absorber.....	63	Checking the rear hub rubber dampers 	90
Adjusting the compression damping of the fork	63	Checking the tire condition.....	91
Adjusting the rebound damping of the fork.....	64	Checking the tire pressure.....	92
Compression damping of the shock absorber	65	Removing the seat.....	93
Adjusting the low-speed compression damping of the shock absorber	65	Mounting the seat	94
Adjusting the high-speed compression damping of the shock absorber	66	Reinstalling the fuel tank	94
Adjusting the rebound damping of the shock absorber.....	67	Positioning the fuel tank	95
Bleeding the fork legs	68	Removing the battery 	96
Checking the chain for dirt	69	Installing the battery 	98
Cleaning the chain.....	69	Recharging the battery 	100
Checking the chain tension	70	Changing the main fuse	102
Adjusting the chain tension	71	Changing the fuses of individual power consumers.....	104
Checking the chain, rear sprocket and engine sprocket.....	73	Adjusting the engine characteristic.....	106
Checking the brake discs.....	75	Removing headlight mask with headlight	108
Adjusting the basic position of the hand brake lever.....	76	Installing the headlight mask with the headlight.....	110
Checking the front brake fluid level	76	Changing the low beam bulb.....	111
Adding front brake fluid 	77	Change the high beam bulb.....	114
Checking the front brake linings.....	78	Changing the parking light bulb	116
		Changing the turn signal bulb.....	117
		Checking the low beam headlight adjustment.....	118

Checking the high beam headlight adjustment	119	Putting into operation after storage	154
Adjusting the light range of the low beam headlight	120	TECHNICAL DATA - ENGINE	155
Adjusting the light range of the high beam headlight	121	Capacity - engine oil	156
Cooling system	123	Capacity - coolant.....	156
Checking the antifreeze and coolant level	123	TECHNICAL DATA - ENGINE TIGHTENING TORQUES.....	157
Checking the coolant level.....	126	TECHNICAL DATA - CHASSIS	160
Draining the coolant 	127	Lighting equipment	161
Filling/bleeding the cooling system 	128	Capacity - fuel.....	162
Adjusting basic position of clutch lever.....	130	TECHNICAL DATA - FORK.....	163
Checking/rectifying the fluid level of the hydraulic clutch ...	131	TECHNICAL DATA - SHOCK ABSORBER	164
Checking the play in the throttle cable.....	132	TECHNICAL DATA - CHASSIS TIGHTENING TORQUES	166
Adjusting the play in the throttle cable 	133	SUBSTANCES.....	170
Checking the engine oil level	133	AUXILIARY SUBSTANCES.....	174
Changing the engine oil and filter, cleaning the oil screens 	134	STANDARDS.....	177
Draining the engine oil 	134	INDEX	178
Removing the oil filter 	135		
Installing the oil filter 	137		
Cleaning the oil screens 	137		
Refilling with engine oil 	139		
Adding engine oil	140		
TROUBLESHOOTING.....	142		
BLINK CODE	145		
CLEANING.....	150		
Cleaning the motorcycle.....	150		
PROTECTIVE TREATMENT FOR WINTER OPERATION.....	152		
Protective treatment for winter operation	152		
STORAGE	153		
Storage.....	153		

Symbols used

The meaning of specific symbols is described below.



Indicates an expected reaction (e.g. of a work step or a function).



Indicates an unexpected reaction (e.g. of a work step or a function).



All work marked with this symbol requires specialist knowledge and technical understanding. In the interest of your own safety, have these jobs done in an authorized KTM workshop! There, your motorcycle will be serviced optimally by specially trained experts using the specialist tools required.



Identifies a page reference (more information is provided on the specified page).

Formats used

The typographical and other formats used are explained below.

Specific name Identifies a proprietary name.

Name[®] Identifies a protected name.

Brand[™] Identifies a trademark.

Use definition

KTM sport motorcycles are designed and constructed to meet the normal demands of regular road operation but not for use on race courses or offroad.



Info

The motorcycle is authorized for public road traffic in the homologous version only.

Maintenance

A prerequisite for perfect operation and prevention of wear is that the engine and chassis maintenance and adjustment work described in the owner's manual are properly carried out. Poor adjustment and tuning of the engine and chassis can lead to damage and breakage of components.

Using the motorcycle in extreme conditions such as very muddy or wet roads can lead to above-average wear of components such as the transmission train or the brakes. For this reason, it may be necessary to service or replace worn parts before the limit specified in the service schedule is reached.

Pay careful attention to the prescribed running-in period, inspection and maintenance intervals. If you observe these exactly, you will ensure a much longer service life for your motorcycle.

Warranty

The work prescribed in the service plan must only be carried out in an authorized KTM workshop and confirmed in the service record; otherwise all warranty claims will be disregarded. No warranty claim can be met for damage resulting from manipulation and/or other changes to the vehicle.

Fuel, oils, etc.

You should use the fuels, oils and greases according to specifications as listed in the owner's manual.

Spare parts, accessories

For your own safety, only use spare parts and accessory products that have been approved and/or recommended by KTM and have them installed by an authorized KTM workshop. KTM accepts no liability for other products and any resulting damage.

Some spare parts and accessory products are specified in parentheses in the descriptions. Your KTM dealer will be glad to advise you.

You will find the current **KTM PowerParts** for your vehicle on the KTM website.

International KTM Website: <http://www.ktm.com>

Work rules

Special tools are necessary for certain tasks. The tools are not contained in the vehicle but can be ordered under the number in parentheses. Example: valve spring mounter (59029019000)

During assembly, non-reusable parts (e.g. self-locking screws and nuts, seals and seal rings, O-rings, pins, lock washers) must be replaced by new parts.

If a thread lock (e.g. **Loctite**®) is used for screw connections, be sure to comply with the manufacturer's specific instructions on its usage. Parts that you want to reuse following repairs and servicing should be cleaned and checked for damage and wear. Change damaged or worn parts.

Following repairs or servicing, the vehicle must be checked for roadworthiness.

Transport

Note

Danger of damage The parked vehicle may roll away or fall over.

- Always place the vehicle on a firm and even surface.

Note

Fire hazard Some vehicle components become very hot when the vehicle is operated.

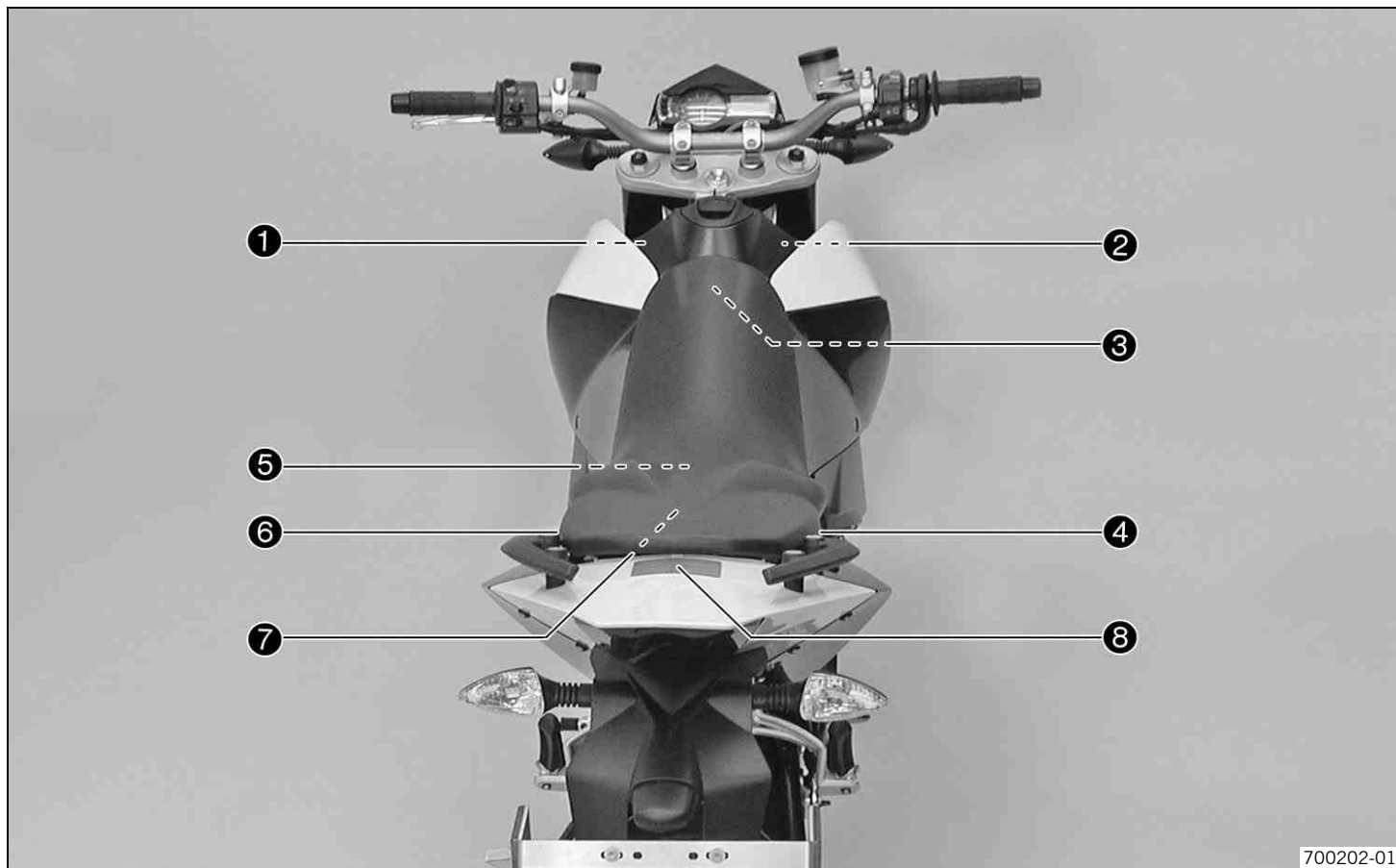
- Do not park the vehicle near flammable or explosive substances. Do not place objects on the vehicle while it is still warm from being run. Always let the vehicle cool first.

- Switch off the engine and remove the ignition key.
- Use straps or other suitable devices to secure the motorcycle against accidents or falling over.

Environment

Offroad motorcycling is a wonderful sport and we naturally hope that you will be able to enjoy it to the fullest. However, it is a potential problem for the environment and can lead to conflicts with other persons. But if you use your motorcycle responsibly, you can ensure that such problems and conflicts do not have to occur. To protect the future of motorcycle sport, make sure that you use your motorcycle legally, display environmental consciousness, and respect the rights of others.

Overview of warning labels



IMPORTANT INFORMATION


1	Type label, Canada
2	Type label, USA
3	Information, emission control
4	Information, noise emission
5	Information, suspension setting
6	Information, chain tension
7	Information, fuel evaporation system
8	Information, putting into operation

MANUFACTURED BY/FABRIQUÉ PAR: KTM SPORTMOTORCYCLE AG						
GAWR/PNBV: 350 KG			DATE: XX.XX			
V.I.N./N.I.V.: VBKXXXXXXXXXXXXXX						
TYPE: MC						
GAWR/PNBE		TIRE/PNEU-DIMENSION-RIM/JANTE		COLD INFL. PRESS. PRESS. DE GONFL. À FROID		
				PSI/LPC		KPA
1st	150	KG	120/70-17	3.50-17	30	210
2nd	200	KG	160/60-17	5.00-17	30	210
THIS VEHICLE CONFORMS TO ALL APPLICABLE STANDARDS PRESCRIBED UNDER THE CANADIAN SAFETY REGULATIONS IN EFFECT ON THE DATE OF MANUFACTURE - CE VÉHICULE EST CONFORME À TOUTES LES NORMES QUI LUI SONT APPLICABLES EN VERTU DU RÈGLEMENT SUR LA SÉCURITÉ DES VÉHICULES AUTOMOBILES DU CANADA EN VIGUEUR À LA DATE DE SA FABRICATION						


600841-10

Type label, Canada

IMPORTANT INFORMATION

	MFD. BY KTM SPORTMOTORCYCLE AG AUSTRIA		
		MOTORCYCLE	DATE
GWR	771 lbs	350 kg	
GAWR FRONT	331 lbs	150 kg	WITH 120/70-17 TIRE, 58H TYPE,
	3,50-17 RIM, AT	30 psi	2,1 bar COLD
GAWR REAR	441 lbs	200 kg	WITH 160/60-17 TIRE, 69H TYPE,
	5,00-17 RIM, AT	30 psi	2,1 bar COLD
THIS VEHICLE CONFORMS TO ALL APPLICABLE U.S. FEDERAL MOTOR VEHICLE SAFETY STANDARDS IN EFFECT ON THE DATE OF MANUFACTURE SHOWN ABOVE.			
VBK XXXXXXX MXXXXXX			600840-10

Type label, USA

VEHICLE EMISSION CONTROL INFORMATION	
 MANUFACTURER: KTM SPORTMOTORCYCLE AG - Mattighofen, Austria	
IMPORTER : KTM NORTH AMERICA, INC. - 1119 Millan Ave, Amherst, OH 44001	
ENGINE DISPLACEMENT	664 cc ENGINE EXHAUST EMISSION CONTROL SYSTEM
ENGINE FAMILY	AKTXC0.66SPM TWC, PAIR, TBI, HO2S
PERMATION FAMILY	AKTXPP104RK1 MODEL NAME 690 DUKE
THIS VEHICLE CONFORMS WITH US EPA AND CALIFORNIA REGULATIONS APPLICABLE TO 2010 MODEL YEAR NEW MOTORCYCLES AND IS CERTIFIED TO 0.8 G/KM HC+NOX, 12.0 G/KM CO EXHAUST EMISSION STANDARD IN CALIFORNIA.	
ENGINE TUNEUP SPECIFICATIONS:	
IGNITION TIMING :	NON ADJUSTABLE
IDLE SPEED :	1600 RPM IN NEUTRAL
IDLE MIXTURE :	NON ADJUSTABLE
VALVE CLEARANCE :	0.07 - 0.13 INTAKE & EXHAUST
SPARK PLUG :	NGK LKAR8A10
SPARK PLUG GAP :	0.9 mm
FUEL :	UNLEADED GASOLINE ONLY - 91 (R+M)2 OCTANE OR HIGHER
OL :	SAE 10 W 60
V.I.N. : VBKXXXXXXXXMXXXXXX	DATE OF MANUFACTURE : XXXXXXXX
100850-01	

Information, emission control

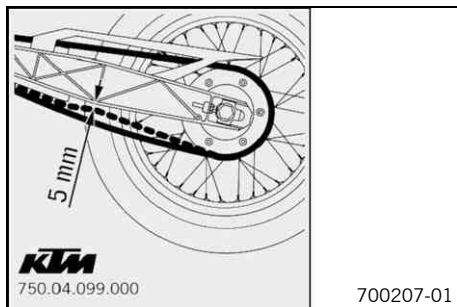
MOTORCYCLE NOISE EMISSION CONTROL INFORMATION KTM SPORTMOTORCYCLE AG, AUSTRIA	
THIS 2010 KTMA830625 MOTORCYCLE 756.05.183.100 MEETS U.S. EPA NOISE EMISSION REQUIREMENTS OF 80 dBA AT 3363 RPM BY THE U.S. FEDERAL TEST PROCEDURE. MODIFICATIONS WHICH CAUSE THIS MOTORCYCLE TO EXCEED FEDERAL NOISE STANDARDS ARE PROHIBITED BY U.S. FEDERAL LAW. SEE OWNER'S MANUAL.	
Motorcycle Type : 690 DUKE	Date manufactured : xxxxxxxx VIN. : VBKXXX40XXMXXXXXX 100851-01

Information, noise emission

SETTING	756.01.099.000		FORK		SHOCK	
	Compression (clicks)	Rebound (clicks)	Compr. low speed (clicks)	Compr. high speed (turns)	Rebound	Spring preload (mm)
Comfort	20	25	25	2,5	20	12
Basic setting	16	20	20	2	15	12
Sport	10	15	15	1,5	10	12
Max. payload	10	15	15	1,5	10	15

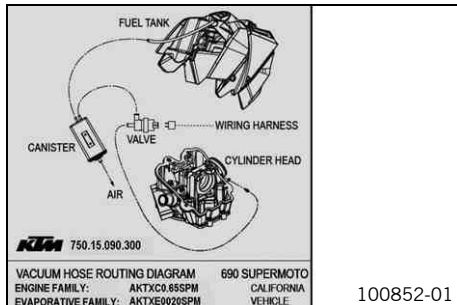
Information, suspension setting

600844-01



700207-01

Information, chain tension



100852-01

Information, fuel evaporation system

ACHTUNG
Lesen Sie vor der ersten Inbetriebnahme des Fahrzeuges die gesamte Bedienungsanleitung aufmerksam durch!

IMPORTANT
Please read the entire owner's manual carefully before putting the vehicle into operation for the first time.

ATTENZIONE
Prima della messa in funzione iniziale del veicolo, leggere con attenzione l'intero manuale d'uso!

ATTENTION
Lire attentivement l'ensemble du manuel d'utilisation avant de mettre le véhicule en service!

ATENCIÓN
Lea completa y atentamente el manual de instrucciones antes de poner en servicio por primera vez el vehículo!

700210-01

Information, putting into operation

Notes/warnings

Pay close attention to the notes/warnings.



Info

Various information and warning labels are affixed to the vehicle. Do not remove information/warning labels. If they are missing, you or others may not recognize potential hazards and may therefore be injured.

Grades of risks



Danger

Identifies a danger that will immediately and invariably lead to fatal or serious permanent injury if the appropriate measures are not taken.



Warning

Identifies a danger that is likely to lead to fatal or serious injury if the appropriate measures are not taken.



Caution

Identifies a danger that may lead to minor injuries if the appropriate measures are not taken.

Note

Identifies a danger that will lead to considerable machine and material damage if the appropriate measures are not taken.



Warning

Identifies a danger that will lead to environmental damage if the appropriate measures are not taken.

Owner's manual

- It is important that you read this owner's manual carefully and completely before making your first trip. It contains useful information and tips to help you operate and handle your motorcycle. Only then will you find out how to customize the motorcycle ideally for your own use and how you can protect yourself from injury. The owner's manual also contains important information on servicing the motorcycle.
- The owner's manual is an important component of the motorcycle and should be handed over to the new owner if the vehicle is sold.

Reporting safety defects

If you believe that your vehicle has a defect which could cause an accident resulting in injury or death, you should immediately inform the National Highway Traffic Safety Administration (NHTSA) in addition to notifying KTM North America, Inc.

If NHTSA receives similar complaints, it may open an investigation, and if it finds that a safety defect exists in a group of vehicles, it may order a recall and remedy campaign. However, NHTSA cannot become involved in individual problems between you, your dealer, or KTM North America, Inc.

To contact NHTSA, you may either call the Auto Safety Hotline toll-free at 1-888-327-4236 or visit the website www.nhtsa.dot.gov, or write to: NHTSA Headquarters, 1200 New Jersey Avenue, SE, West Building, Washington, DC 20590. You can also obtain other information about motor vehicle safety from the Hotline.

Noise emission warranty

KTM Sportmotorcycle AG warrants that this exhaust system, at the time of sale, meets all applicable U.S. EPA Federal noise standards. This warranty extends to the first person who buys this exhaust system for purposes other than resale, and to all subsequent buyers.

Warranty claims should be directed to:

KTM North America, Inc., Customer Support, 1119 Milan Ave., Amherst, OH 44001, USA

Phone: (440) 985-3553

www.ktmusa.com

KTM Canada, Inc., Customer Support, 1375-1 Marie-Victorin, Saint-Bruno, QC J3V 6B7

Phone: (450) 441-4451 x 4250

www.ktmcanada.com

Tampering warning

Tampering with noise control system prohibited. Federal law prohibits the following acts or causing thereof:

- 1 The removal or rendering inoperative by any person other than for purposes of maintenance, repair, or replacement, of any device or element of design incorporated into any new vehicle for the purpose of noise control prior to its sale or delivery to the ultimate purchaser or while it is in use, or
- 2 the use of the vehicle after such device or element of design has been removed or rendered inoperative by any person.

Among those acts presumed to constitute tampering are the acts listed below.

- 1 Removal of, or puncturing the muffler, baffles, header pipes or any other components which conducts exhaust gases.
- 2 Removal or puncturing of any part of the intake system.
- 3 Lack of proper maintenance.
- 4 Replacing any moving part of the vehicle, or parts of the exhaust or intake system, with parts other than those specified by the manufacturer.

Warning, operating noise

This product should be checked for repair or replacement if the motorcycle noise has increased significantly through use. Otherwise, the owner may become subject to penalties under state and local ordinances.

Consumer rights

Warranty claims should be directed to an authorized KTM workshop. If you are not satisfied, please contact:

KTM North America, Inc., Customer Support, 1119 Milan Ave., Amherst, OH 44001, USA

Phone: (440) 985-3553

www.ktmusa.com

KTM Canada, Inc., Customer Support, 1375-1 Marie-Victorin, Saint-Bruno, QC J3V 6B7

Phone: (450) 441-4451 x 4250

www.ktmcanda.com

Your rights may vary depending on national and regional laws.

View of vehicle, front left side



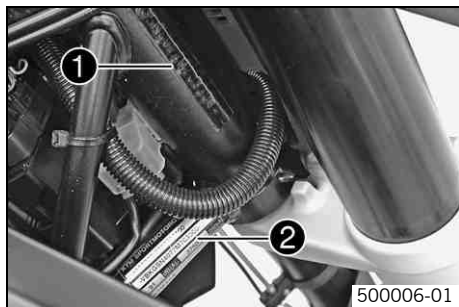
1	Combination instrument
2	Rear mirror
3	Clutch lever
4	Seat
5	Handrail
6	Front brake caliper
7	Left fuel tap
8	Shift lever
9	Engine number
10	Side stand

View of vehicle, rear right side

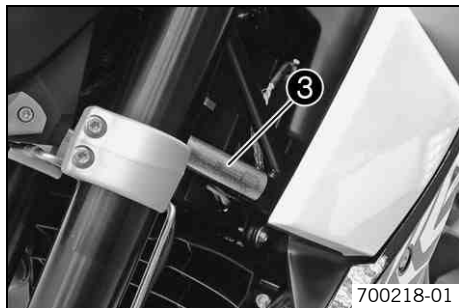


1	Seat lock
2	Light switch, headlight flasher switch, indicator switch, horn button
3	Filler cap
4	Emergency OFF switch, electric starter button
5	Hand brake lever
6	Chassis number, type label
7	Brake caliper, rear
8	Passenger footrests
9	Map-Select switch
10	Foot brake pedal
11	Level viewer, engine oil
12	Right fuel tap

Chassis number/type label



The chassis number ❶ is stamped on the right of the steering head.
The USA type label ❷ is on the right of the frame behind the steering head.



The Canada type label ❸ is on the right of the frame behind the steering head.

Key number



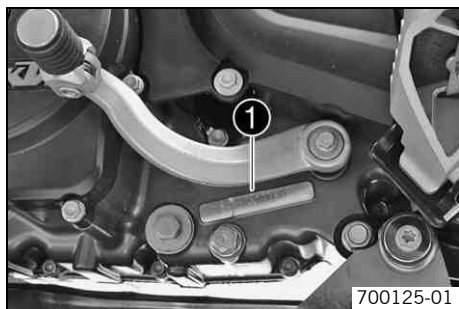
The key number ❶ can be found on the **KEYCODECARD**.



Info

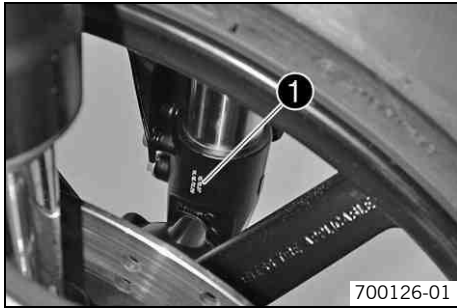
You need the key number to order a spare key. Keep the **KEYCODECARD** in a safe place.

Engine number



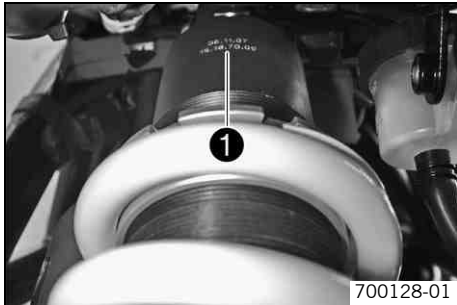
The engine number ❶ is stamped on the left side of the engine under the engine sprocket.

Fork part number



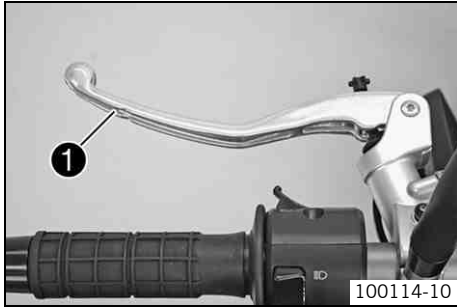
The fork part number ❶ is stamped on the inner side of the fork stub.

Shock absorber part number



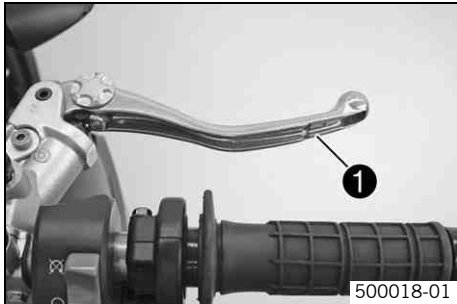
The shock absorber part number ❶ is stamped on the top of the shock absorber above the adjusting ring toward the rear.

Clutch lever



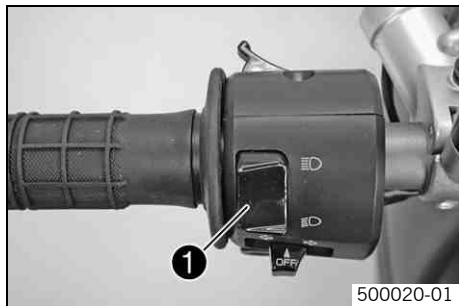
The clutch lever ❶ is fitted on the left side of the handlebar.
The clutch is hydraulically operated and self-adjusting.

Hand brake lever





The hand brake lever ❶ is fitted on the right side of the handlebar.
The front brake is engaged using the hand brake lever.

Light switch

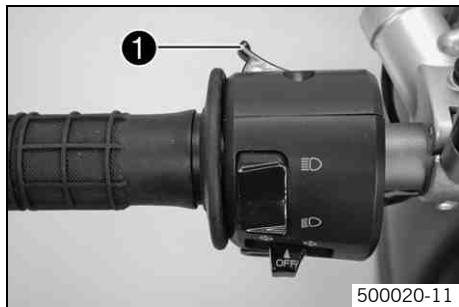


The light switch ❶ is fitted on the left side of the handlebar.

Possible states

	Low beam on – Light switch is turned downwards. In this position, the low beam and tail light are switched on.
	High beam on – Light switch is turned upwards. In this position, the high beam and the tail light are switched on.

Headlight flasher switch



The headlight flasher switch ❶ is fitted on the left side of the handlebar.

Possible states

- Headlight flasher switch in neutral position
- Headlight flasher switch pressed – In this position, the headlight flasher (high beam) is actuated.

Turn signal switch



500021-10

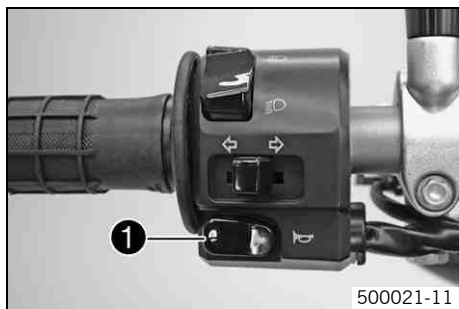
The turn signal switch ❶ is fitted on the left side of the handlebar.

Possible states

	Turn signal off
←	Left turn signal on – The turn signal switch is pressed to the left. The turn signal switch automatically returns to the central position after use.
→	Right turn signal on – The turn signal switch is pressed to the right. The turn signal switch automatically returns to the central position after use.

To switch off the turn signal, press the turn signal switch towards the switch housing.

Horn button



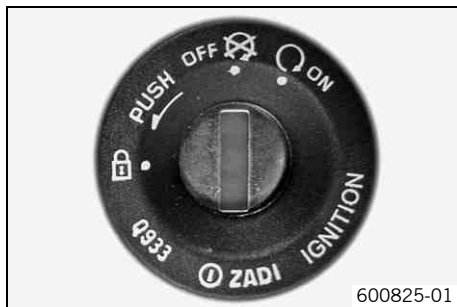
500021-11

The horn button ❶ is fitted on the left side of the handlebar.

Possible states

- Horn button ❶ in neutral position
- Horn button ❶ pressed – The horn is operated in this position.

Ignition/steering lock



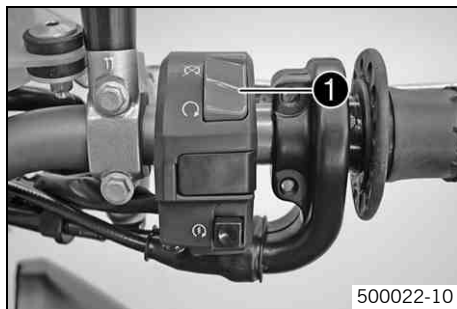
600825-01

The ignition/steering lock ❶ is in front of the upper triple clamp.

Possible states

	Ignition OFF – In this position, the ignition circuit is interrupted, a running engine stops, and a non-running engine will not start. The ignition key can be removed.
	Ignition ON – In this position, the ignition circuit is closed and the engine can be started.
	Steering locked – In this position, the ignition circuit is interrupted and the steering locked. The ignition key can be removed.

Emergency OFF switch



500022-10

The emergency OFF switch ❶ is fitted on the right side of the handlebar.

Possible states

	Emergency OFF switch off – In this position, the ignition circuit is interrupted, a running engine stops, and the engine cannot be started.
	Emergency OFF switch on – This position is necessary for operation as the ignition circuit is closed.

Electric starter button

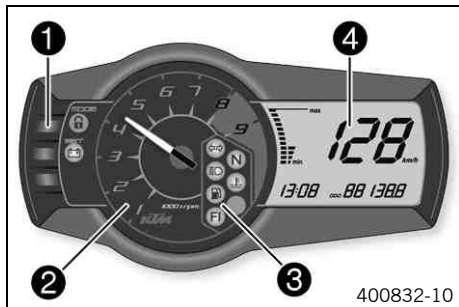


The electric starter button ❶ is fitted on the right side of the handlebar.

Possible states

- Electric starter button ❸ in basic position
- Electric starter button ❸ pressed – In this position, the electric starter is actuated.

Combination instrument

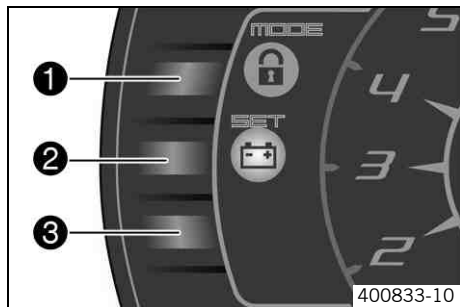


The combination instrument is installed in front of the handlebar.

The combination instrument is divided into 4 function areas.

- ❶ Function buttons
- ❷ Tachometer
- ❸ Indicator lights
- ❹ Display

Combination instrument - function buttons



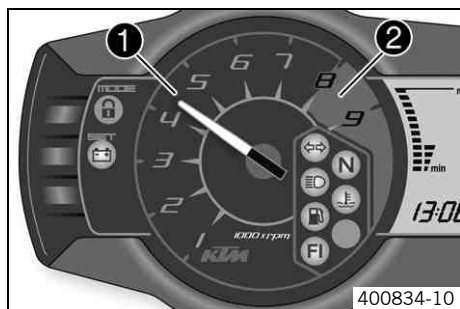
You can change the display mode with the **MODE** button ❶.

Possible display modes are distance traveled (**ODO**), trip master 1 (**TRIP 1**) and trip master 2 (**TRIP 2**).

Press the **SET** button ❷ to reset the trip master 1 function (**TRIP 1**) and trip master 2 function (**TRIP 2**) to **0.0**.

Button ❸ has no function.

Combination instrument - tachometer



The tachometer ❶ shows the engine speed in revolutions per minute.

The red marking ❷ shows the excess speed range of the engine.

Combination instrument - indicator lamps



The indicator lamps offer additional information about the operating state of the motorcycle.

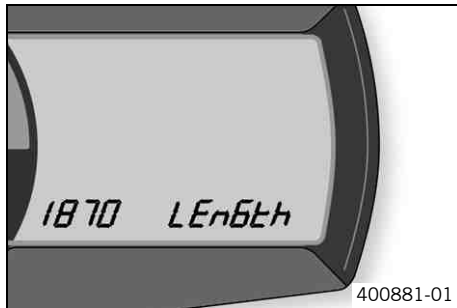
Possible states

	The turn signal indicator lamp flashes green simultaneously with the turn signal – The turn signal is switched on.
	The idle speed indicator lamp lights up green – The transmission is shifted to idle.
	The high beam indicator lamp lights up blue – The high beam is switched on.
	Temperature warning lamp lights up red – Coolant has reached a critical value.
	Fuel level warning lamp lights up orange – Fuel level has reached the reserve mark. Display switched to TRIP F .
	FI warning lamp (MIL) lights up/flashes orange – The OBD has detected an emission- or safety-critical fault.
	Battery warning lamp lights up red – Voltage in vehicle system too low.

Combination instrument - display



When you switch on the ignition, all display segments light up for one second as a function test.



LEnGth

Following the display function test, the **LEnGth** wheel circumference is shown for one second.



Info

1870 mm corresponds to the circumference of the 17" front wheel with a series production tire.

The display then changes to the last selected mode.

Combination instrument - speedometer



The speed ❶ is shown in kilometers per hour **km/h** or in miles per hour **mph**.

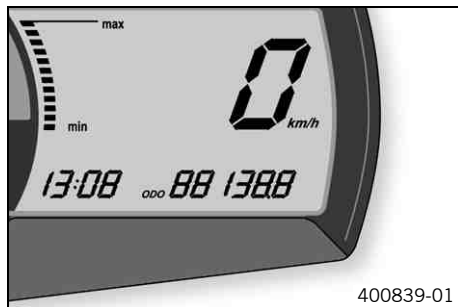
Setting kilometers or miles

i Info

If you change the unit, the value **ODO** is retained and converted accordingly.
Making the setting according to the country.

Condition

The motorcycle is stationary.



- Switch on the ignition by turning the ignition key to the position \odot .
- Press the **MODE** button repeatedly until the **ODO** mode is active.
- Keep the **MODE** button pressed until the display mode changes from **km/h** to **mph** or from **mph** to **km/h**.

Combination instrument - time



The time is shown in area ❶ of the display.



Info

The time has to be reset after the battery is reconnected or when the fuse is changed.

Setting the clock

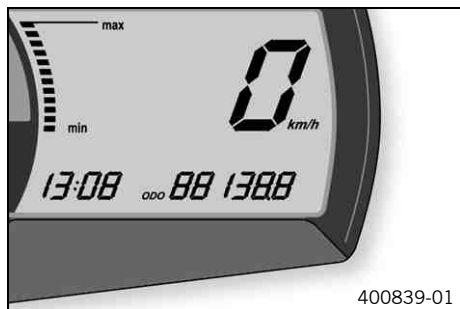
Condition

The motorcycle is stationary.



- Switch on the ignition by turning the ignition key to the position \odot .
- Press the **MODE** button repeatedly until the **ODO** mode is active.
- Keep the **MODE** button and the **SET** button pressed simultaneously.
 - ✓ The time display begins to flash.
- Press the **MODE** button to set the hour.
- Press the **SET** button to set the minute.
- Keep the **MODE** button and the **SET** button pressed simultaneously.
 - ✓ The time is set.

Combination instrument - display ODO



In the **ODO** display mode, the total distance traveled is shown in kilometers or miles.



Info

This value is retained, even if the battery is disconnected and/or the fuse blows.

Combination instrument - setting/resetting TRIP 1



Info

The **TRIP 1** trip counter is always running and counts up to **999.9**.

The trip counter can be used to measure the distance covered during trips or between two refueling stops. After the value **999.9** is reached, the trip counter starts at **0.0** again.



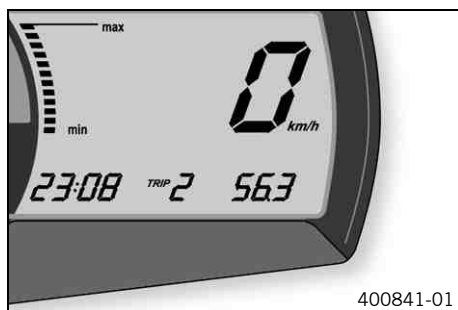
- Switch on the ignition by turning the ignition key to the position \odot .
- Press the **MODE** button repeatedly until the **TRIP 1** mode is active.
- Keep the **SET** button pressed.
- ✓ The **TRIP 1** display is set to **0.0**.

Combination instrument - setting/resetting TRIP 2

i Info

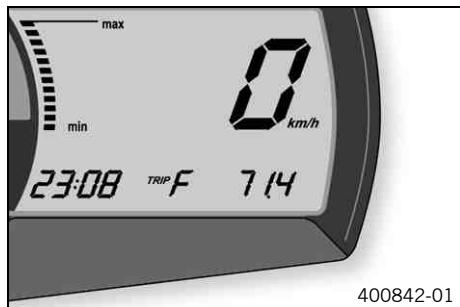
The **TRIP 2** trip counter is always running and counts up to **999.9**.

The trip counter can be used to measure the distance covered during trips or between two refueling stops. After the value **999.9** is reached, the trip counter starts at **0.0** again.



- Switch on the ignition by turning the ignition key to the position \odot .
- Press the **MODE** button repeatedly until the **TRIP 2** mode is active.
- Keep the **SET** button pressed.
- ✓ The **TRIP 2** display is set to **0.0**.

Combination instrument - TRIP F display



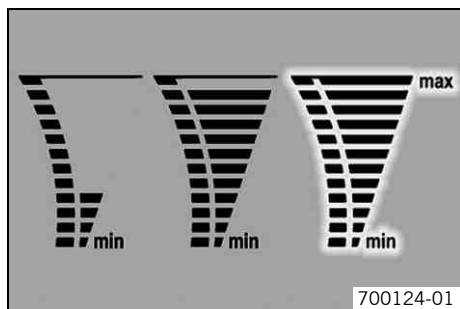
If the fuel level drops to the reserve mark, the display automatically changes to **TRIP F** and starts to count from **0.0**, regardless of the previous display mode.



Info

Parallel to the **TRIP F** display, the fuel warning light switches on.

Combination instrument - coolant temperature indicator



The temperature display consists of 12 bars. The more bars that light up, the hotter the coolant. When the upper bar lights up, all bars in the display begin to flash and the temperature warning lamp lights up.

Possible states

- Engine cold – Up to four bars light up.
- Engine warm – Five to eleven bars light up.
- Engine hot – All twelve bars flash.

Opening filler cap



- Lift the cover of the filler cap ❶ and insert the ignition key.
- Turn the ignition key 90° counterclockwise and remove the filler cap.



Info

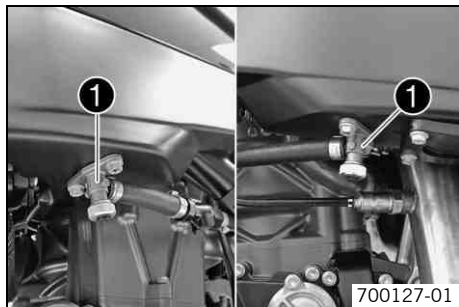
The filler cap has a tank air vent system.

Closing filler cap



- Put the filler cap back on and turn the ignition key 90° clockwise.
- Remove the ignition key and fold down the cover.

Fuel taps



The fuel taps ❶ are located on the left/right under the fuel tank.

Possible states

- Fuel supply closed – The knurled screws are turned clockwise as far as possible. The level cannot be compensated and no fuel can flow out of the fuel tank.
- Fuel tap open – The knurled screws are turned counterclockwise as far as possible. The level can be compensated and the fuel can flow out of the fuel tank.

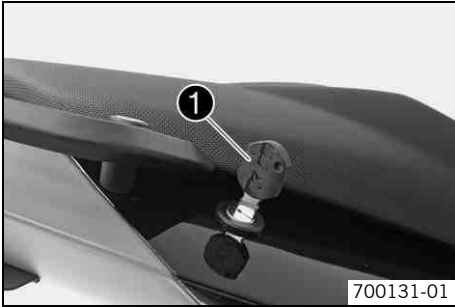
Handrails



The handrails ❶ are used for moving the motorcycle around.

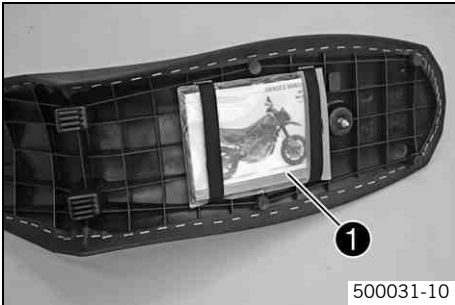
When you have a passenger, the passenger can hold on the handrails during the journey.

Seat lock



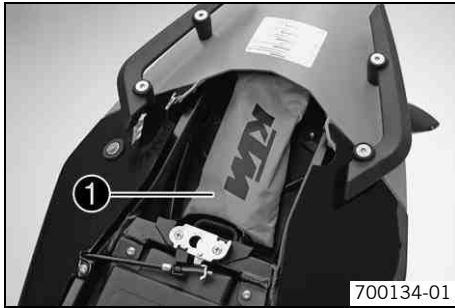
The seat lock ❶ is located to the right of the seat.
You can lock it with the ignition key.

Owner's manual



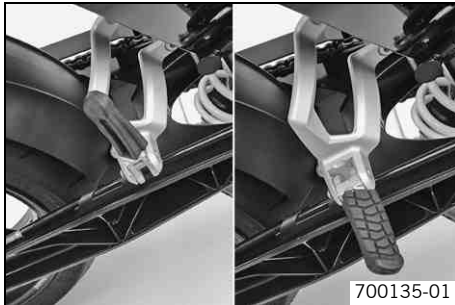
You can find the owner's manual ❶ in its protective case on the underside of the seat.

Tool set



The tool set ❶ is located in the storage compartment under the seat.

Passenger footrests

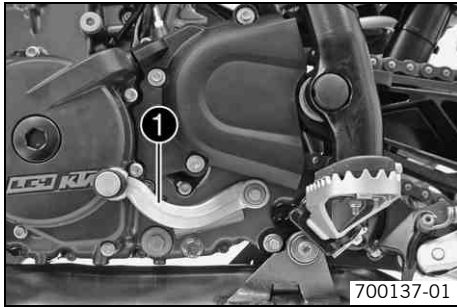


The passenger footrests can be folded up and down.

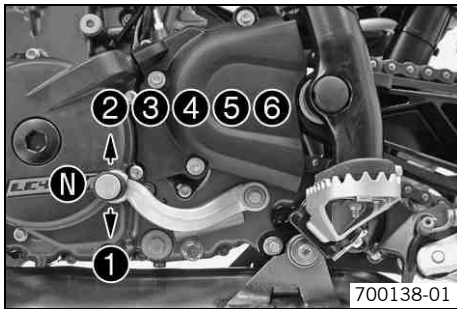
Possible states

- Passenger footrests folded up – For operation without a passenger.
- Passenger footrests folded down – For operation with a passenger.

Shift lever



The shift lever ❶ is mounted on the left side of the engine.



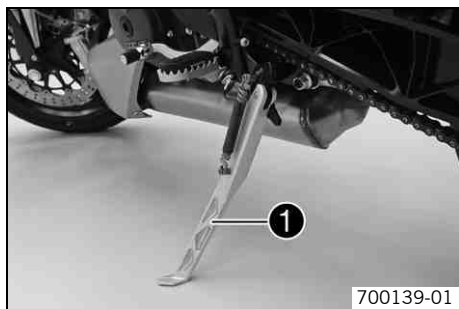
The gear positions can be seen in the photograph.
The neutral or idle position is between the first and second gears.

Foot brake lever



Foot brake lever ❶ is located in front of the right footrest. The rear brake is engaged with the foot brake lever.

Side stand



The side stand ❶ is coupled with the safety electric starter system - see the riding instructions.

Possible states

- Side stand folded out – The vehicle can be supported on the side stand. The safety electric starter system is active.
- Side stand folded in – This position is mandatory for all journeys. The safety electric starter system is inactive.

Advice on first use



Danger

Danger of accidents Danger arising from the rider's judgement being impaired.

- Do not use the vehicle if you are inexperienced or if you have consumed alcohol or drugs.



Warning

Risk of injury Missing or poor protective clothing present an increased safety risk.

- Wear protective clothing (helmet, boots, gloves, pants and jacket with protectors) every time you ride the vehicle. Always wear protective clothing, which must be undamaged and meet legal requirements.



Warning

Danger of crashing Poor vehicle handling due to different tire tread patterns on front and rear wheels.

- The front and rear wheels must be fitted with tires with similar tread patterns to prevent loss of control over the vehicle.



Warning

Danger of accidents Uncontrollable handling characteristic due to non-approved and/or non-recommended tires/wheels.

- Only tires/wheels approved by KTM and with the corresponding speed index should be used.



Warning

Danger of accidents Reduced road grip with new tires.

- New tires have a smooth rolling surface and therefore cannot provide full road grip. The entire rolling surface must be roughened in the first 200 kilometers (124.3 miles) by moderate riding at alternating angles. The full grip levels are not achieved until the tires have been run in.



Warning

Danger of accidents Failure of brake system.

- If the foot brake lever is not released, the brake linings drag permanently. The rear brake can fail due to overheating. Take your foot off the foot brake lever if you do not want to brake.



Info

When using your vehicle, remember that others may feel disturbed by excessive noise.

- Make sure that the pre-delivery inspection work has been carried out by an authorized KTM workshop.
 - ✓ You receive a delivery certificate and the service record at vehicle handover.
- Before your first trip, read the entire operating instructions carefully.
- Get to know the controls.
- Adjust the basic position of clutch lever. (☞ p. 130)
- Adjust the basic position of hand brake lever. (☞ p. 76)
- Adjust the basic position of the foot brake lever. ☞ (☞ p. 80)
- Get used to handling the motorcycle on a suitable piece of land before making a longer trip. Try also to ride as slowly as possible to get a better feel for the vehicle.
- Hold the handlebars firmly with both hands and keep your feet on the footrests when riding.
- Run the engine in.

Running in the engine

- During the running-in phase, do not exceed the specified engine speed and engine performance.

Guideline

Maximum engine speed	
During the first: 1,000 km (621.4 mi)	6,000 rpm
After the first: 1,000 km (621.4 mi)	7,800 rpm

- Avoid fully opening the throttle!

Loading the vehicle



Warning

Danger of accidents Unstable handling characteristics.

- Do not exceed the maximum permitted weight and axle loads. The overall weight consists of: motorcycle operational and with a full tank, driver and passenger with protective clothing and helmet, baggage.



Warning

Danger of accidents Unstable handling characteristics due to incorrect mounting of suitcase and/or tank rucksack.

- Mount and secure suitcase and tank rucksack according to the manufacturer's instructions.



Warning

Danger of accidents Unstable handling characteristics at high speed.

- Adapt your speed according to your payload. Ride more slowly if your motorcycle is loaded with cases or other baggage.
Maximum speed with baggage 130 km/h (80.8 mph)



Warning

Danger of accidents Risk of breakage of suitcase system.

- If you have fitted suitcases on your motorcycle, read the manufacturer's specifications concerning the maximum payload.



Warning

Danger of accidents Poor visibility for other road users due to slipped baggage.

- If the tail light is covered, you are less visible to traffic behind you, especially in the dark. Check that your baggage is fixed properly at regular intervals.



Warning

Danger of accidents Changed handling characteristics and longer stopping distance with excessive payload.

- Adapt your speed according to your payload.

**Warning**

Danger of accidents Unstable handling characteristics due to slipped baggage.

- Check the way your baggage is fixed regularly.

**Warning**

Danger of burns A hot exhaust system can burn baggage.

- Fasten your baggage in such a way that it cannot be burned or singed by the hot exhaust system.

-
- If you carry any baggage, make sure it is fixed firmly as close as possible to the center of the vehicle and ensure even weight distribution between the front and rear wheels.
 - Do not exceed the overall maximum permitted weight and the axle loads.

Guideline

Maximum permissible overall weight	350 kg (772 lb.)
Maximum permissible front axle load	150 kg (331 lb.)
Maximum permissible rear axle load	200 kg (441 lb.)

Checks before putting into operation

i **Info**
Make sure that the motorcycle is in a perfect technical condition before use.
In the interests of riding safety, make a habit of making a general check before you ride.

- Check the engine oil level. (☛ p. 133)
- Check the engine for loss of oil.
- Check the fuel level.
- Check the chain tension. (☛ p. 70)
- Clean the chain. (☛ p. 69)
- Check the tire condition. (☛ p. 91)
- Check the tire pressure. (☛ p. 92)
- Check the front brake fluid level. (☛ p. 76)
- Check the rear brake fluid level. (☛ p. 81)
- Check the front brake linings. (☛ p. 78)
- Check the rear brake linings. (☛ p. 84)
- Check brake system function.
- Check the coolant level. (☛ p. 126)
- Check that all controls are correctly adjusted and free to move.
- Check that the electrical equipment is functioning properly.
- Check that baggage is correctly secured.
- Sit on the motorcycle and check the rear mirror setting.

Starting



Danger

Danger of poisoning Exhaust gases are poisonous and inhaling them may result in unconsciousness and/or death.

- When running the engine, always make sure there is sufficient ventilation, and do not start or run the engine in an enclosed space without an effective exhaust extraction system.



Caution

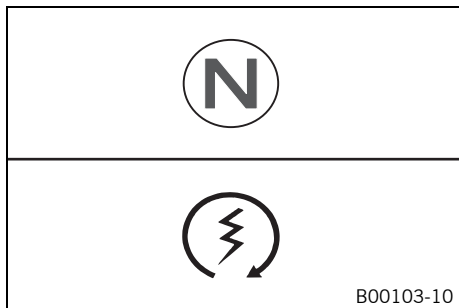
Danger of accidents If the vehicle is operated with a discharged battery or without a battery, electronic components and safety equipment may be damaged.

- Never operate the vehicle with a discharged battery or without a battery.

Note

Engine failure High engine speeds in cold engines have a negative effect on the service life of the engine.

- Always warm up the engine at low engine speeds.



- Turn the emergency OFF switch to the position ○.
- Switch on the ignition by turning the ignition key to the position ○.
- ✓ After you switch on the ignition, you can hear the fuel pump working for about 2 seconds. At the same time, the function test of the combination instrument is run.
- Shift gear to neutral.
- ✓ The green idling speed indicator lamp **N** lights up.
- Press the electric starter button ⓘ.

**Info**

Do not press the electric starter button until the function test of the combination instrument is finished.

When starting, **DO NOT** open the throttle. If you open the throttle during the starting procedure, fuel is not injected by the engine management system and the engine cannot start.

Press the starter for a maximum of 5 seconds. Wait for at least 5 seconds before trying again.

This motorcycle is equipped with a safety start system. You can only start the engine if the gearbox is in neutral or if the clutch is pulled when a gear is engaged. If the side stand is folded out and you shift into gear and release the clutch, the engine stops.

- Take the weight off the side stand and swing it back up with your foot as far as it will go.

Starting up

- Pull the clutch lever, engage 1st gear, release the clutch lever slowly and simultaneously open the throttle carefully.

Shifting, riding**Warning**

Danger of accidents Abrupt load alterations can cause the vehicle to get out of control.

- Avoid abrupt load alterations and sudden braking actions, and adapt your speed to the road conditions.

**Warning**

Danger of accidents If you change down at high engine speed, the rear wheel can lock up.

- Do not change into a low gear at high engine speed. The engine races and the rear wheel can lock up.



Warning

Danger of accidents Malfunctions caused by incorrect ignition key position.

- Do not change the ignition key position during a journey.



Warning

Danger of accidents Distraction from traffic activity by adjustments to the vehicle.

- Make all adjustments when the vehicle is at a standstill.



Warning

Risk of injury The passenger must be capable of sitting correctly on the passenger seat.

- The passenger must hold on to the rider or the handrails and place his feet on the passenger footrests. Note the regulations governing the minimum age of passengers in your country.



Warning

Danger of accidents Danger of accidents caused by dangerous driving.

- Observe the traffic regulations and ride defensively and with foresight in order to recognize danger as early as possible.



Warning

Danger of accidents Reduced road grip with cold tires.

- On every journey, take the first miles carefully at moderate speed until the tires reach operating temperature and optimal road grip is ensured.



Warning

Danger of accidents Reduced road grip with new tires.

- New tires have a smooth rolling surface and therefore cannot provide full road grip. The entire rolling surface must be roughened in the first 200 kilometers (124.3 miles) by moderate riding at alternating angles. The full grip levels are not achieved until the tires have been run in.



Warning

Danger of accidents Unstable handling characteristics.

- Do not exceed the maximum permitted weight and axle loads. The overall weight consists of: motorcycle operational and with a full tank, driver and passenger with protective clothing and helmet, baggage.



Warning

Danger of accidents Unstable handling characteristics due to slipped baggage.

- Check the way your baggage is fixed regularly.



Warning

Danger of accidents Lack of roadworthiness.

- After a fall, check the vehicle as usual before putting it into operation.

Note

Engine failure Unfiltered intake air has a negative effect on the service life of the engine.

- Never ride the vehicle without an air filter since dust and dirt can get into the engine and result in increased wear.

Note

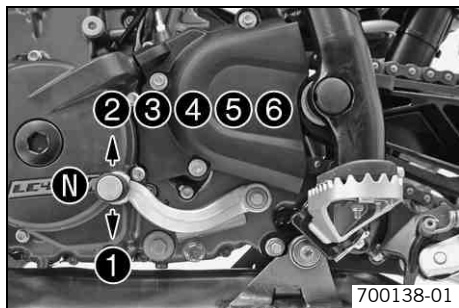
Engine failure Overheating of engine.

- If the coolant temperature warning lamp lights up, stop and switch off the engine. Allow the engine to cool down and check the coolant level in the radiator, and top up if necessary. If you continue with the coolant temperature warning lamp alight, you may have engine failure.



Info

If you hear unusual noises while riding, stop immediately, switch off the engine and contact an authorized KTM workshop.



- When conditions allow (incline, road situation, etc.), you can shift into a higher gear.
- Release the throttle while simultaneously pulling the clutch lever, shift into the next gear, release the clutch and open the throttle.

i Info

You can see the positions of the six forward gears in the figure. The neutral or idle position is between the first and second gears. First gear is used for starting off or for steep inclines.

The operating temperature is reached when 5 bars of the temperature indicator light up.

- After reaching maximum speed by fully opening the throttle, turn the throttle back so it is $\frac{3}{4}$ open. This will barely reduce the speed but fuel consumption will be considerably lower.
- Accelerate only up to a speed suitable for the road surface and weather conditions. When traveling in bends, do not shift, and accelerate very carefully.
- To shift down, brake if necessary and close the throttle at the same time.
- Pull the clutch lever and shift into a lower gear, release the clutch lever slowly and open the throttle or shift again.
- If the engine stalls (e.g. at a crossroads), pull the clutch lever only and press the starter button. You do not need to shift into neutral.
- Switch off the engine if you expect to be standing for a long time.
- If the **FI** warning lamp (**MIL**) lights up during a trip, stop immediately. When you shift to neutral, the **FI** warning lamp (**MIL**) starts to flash.

i Info

From the flashing rhythm, you can derive a two-digit number, the so-called blink code. The blink code tells you which component has a fault.

Braking



Warning

Danger of accidents If you brake too hard, the wheels can lock.

- Adapt your braking to the traffic situation and the road conditions.



Warning

Danger of accidents Reduced braking efficiency due to wet or dirty brakes.

- Clean or dry dirty or wet brakes by riding and braking gently.



Warning

Danger of accidents Reduced braking efficiency caused by spongy pressure point of front or rear brake.

- Check the brake system and do not continue riding. (Your authorized KTM workshop will be glad to help.)



Warning

Danger of accidents Failure of brake system.

- If the foot brake lever is not released, the brake linings drag permanently. The rear brake can fail due to overheating. Take your foot off the foot brake lever if you do not want to brake.



Warning

Danger of accidents Longer stopping distance due to higher overall weight.

- Take the longer stopping distance into account when carrying a passenger and baggage.



Warning

Danger of accidents Delayed brake action on salted roads.

- There may be salt deposits on the brake discs. In order to restore the normal braking efficiency, you will need to remove the deposits from the discs by carefully applying the brakes.

-
- To brake, release the throttle and operate the front and rear brakes simultaneously.

- On sandy, wet or slippery surfaces, use the rear brake.
- Braking should always be completed before you go into a bend. Change down to a lower gear appropriate to your road speed.
- On long downhill stretches, use the braking effect of the engine. Change down one or two gears, but do not overstress the engine. In this way, you have to brake far less and the brakes do not overheat.

Stopping, parking



Warning

Risk of misappropriation Usage by unauthorized persons.

- Never leave the vehicle while the engine is running. Secure the vehicle against use by unauthorized persons. If you leave the vehicle, lock the steering and remove the ignition key.



Warning

Danger of burns Some vehicle components get very hot when the vehicle is in use.

- Do not touch hot components such as exhaust system, radiator, engine, shock absorber and brakes. Allow these components to cool down before starting work on them.

Note

Danger of damage The parked vehicle may roll away or fall over.

- Always place the vehicle on a firm and even surface.

Note

Fire hazard Some vehicle components become very hot when the vehicle is operated.

- Do not park the vehicle near flammable or explosive substances. Do not place objects on the vehicle while it is still warm from being run. Always let the vehicle cool first.

Note

Material damage Damage and destruction of components by excessive load.

- The side stand is designed for the weight of the motorcycle only. Do not sit on the motorcycle when it is supported by the side stand only. The side stand and/or the frame could be damaged and the motorcycle could fall over.

-
- Brake the motorcycle.
 - Shift gear to neutral.
 - Switch off the ignition by turning the ignition key to the position ☒.



Info

If the engine is switched off with the emergency OFF switch and the ignition remains switched on at the ignition lock, power continues to flow to most power consumers and the battery will discharge. You should therefore always switch off the engine with the ignition key - the emergency OFF switch is intended for emergencies only.

-
- Park the motorcycle on a firm surface.
 - Swing the side stand forward with your foot as far as it will go and lean the vehicle on it.
 - Lock the steering by turning the handlebar fully to the left, pressing down the ignition key to position ☒ and turning it to position ☒. To make the steering lock engage more easily, move the handlebar a little to the left and right. Remove the ignition key.

Refueling



Danger

Fire hazard Fuel is highly flammable.

- Never refuel the vehicle near open flames or burning cigarettes, and always switch off the engine first. Be careful that no fuel is spilt, especially on hot vehicle components. Clean up spilt fuel immediately.
- Fuel in the fuel tank expands when warm and can escape if the tank is overfilled. See the notes on refueling.



Warning

Danger of poisoning Fuel is poisonous and a health hazard.

- Avoid contact of the fuel with skin, eyes and clothing. Do not inhale fuel vapors. If fuel gets into your eyes, rinse immediately with water and contact a doctor. Wash affected skin areas immediately with soap and water. If fuel is swallowed, contact a doctor immediately. Change clothing that has come into contact with fuel.



Warning

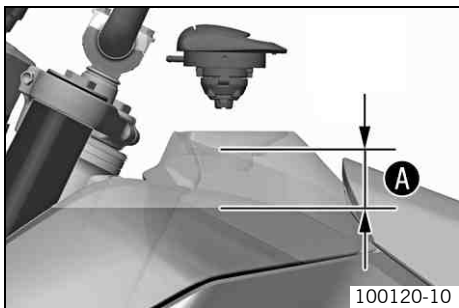
Environmental hazard Improper handling of fuel is a danger to the environment.

- Do not allow fuel to get into the ground water, the ground, or the sewage system.



Info

This motorcycle is equipped with a regulated catalyst. Leaded fuel will destroy the catalyst. You should therefore use unleaded fuel only.

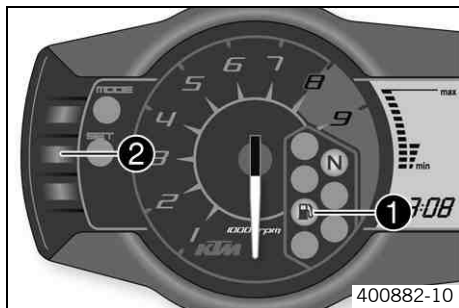


- Switch off the engine.
- Open the filler cap. (☛ p. 38)
- Fill the fuel tank with fuel up to measurement **A**.

Guideline

Level A	50 mm (1.97 in)	
Total fuel tank capacity, approx.	13.5 l (3.57 US gal)	Super unleaded (ROZ 95 / RON 95 / PON 91) (☛ p. 173)

- Close the filler cap. (☛ p. 38)



- Press the **SET** button ② for two seconds.
 - ✓ The fuel level warning lamp ① switches off. **TRIP F** is set to 0 and appears in the previous display mode.



Info

If you do not press the **SET** ② button, the reset takes place automatically after about 3 minutes.

Service schedule

	K10N	K75A	K150A	K300A
Check that the electrical equipment is functioning correctly.	•	•	•	•
Read out the fault memory using the KTM diagnostics tool. 🛠️	•	•	•	•
Change the engine oil and filter, clean the oil screens. 🛠️ (📖 p. 134)	•	•	•	•
Check the front brake linings. (📖 p. 78)	•	•	•	•
Check the rear brake linings. (📖 p. 84)	•	•	•	•
Check the brake discs. (📖 p. 75)	•	•	•	•
Check the brake lines for damage and leakage.	•	•	•	•
Check the rear brake fluid level. (📖 p. 81)	•	•	•	•
Check the free travel of the foot brake lever. (📖 p. 79)	•	•	•	•
Lubricate the linkage of the rear wheel suspension. 🛠️				•
Check that the shock absorber and fork are leak tight. If necessary and depending on use, service the fork and shock absorber.	•	•	•	•
Check the swingarm bearing. 🛠️		•	•	•
Check the wheel bearing for play. 🛠️		•	•	•
Check the tire condition. (📖 p. 91)	•	•	•	•
Check the tire pressure. (📖 p. 92)	•	•	•	•
Check the chain, rear sprocket and engine sprocket. (📖 p. 73)		•	•	•
Check the chain tension. (📖 p. 70)	•	•	•	•
Grease all moving parts (e.g. side stand, hand lever, chain, ...) and check for smooth operation. 🛠️	•	•	•	•
Clean the dust boots of the fork legs.		•	•	•
Check the front brake fluid level. (📖 p. 76)	•	•	•	•
Bleed the fork legs. (📖 p. 68)		•	•	•

	K10N	K75A	K150A	K300A
Check the steering head bearing play.	•	•	•	•
Change the spark plug.			•	•
Check the valve clearance. 🛠️		•	•	•
Check all hoses (e.g. fuel, cooling, bleeder, drainage, etc.) and bellows for cracking, leaks, and correct routing. 🛠️			•	•
Check the antifreeze and coolant level. (🔧 p. 123)	•	•	•	•
Check the cables for damage and routing without sharp bends. 🛠️		•	•	•
Check that the throttle cables are undamaged, routed without sharp bends and set correctly.	•	•	•	•
Change the air filter. Clean the air filter box. 🛠️		•	•	•
Check/rectify the fluid level of the hydraulic clutch. (🔧 p. 131)		•	•	•
Check the screws and nuts for tightness. 🛠️	•	•	•	•
Change the coolant. 🛠️				•
Change the front brake fluid. 🛠️			•	•
Change the rear brake fluid. 🛠️			•	•
Check the clutch. 🛠️			•	•
Check the headlight setting.	•	•	•	•
Check that the radiator fan is functioning properly. 🛠️	•	•	•	•
Final check: Check the vehicle for roadworthiness and take a test ride.	•	•	•	•
Read out the fault memory using the KTM diagnostics tool after a test ride. 🛠️	•	•	•	•
Make the service entry in KTM DEALER.NET and in the service record. 🛠️	•	•	•	•

K10N: Once after 1,000 km (621.4 mi)

K75A: Every 7,500 km (4,660 mi) or annually

K150A: Every 15,000 km (9,321 mi) or every 2 years

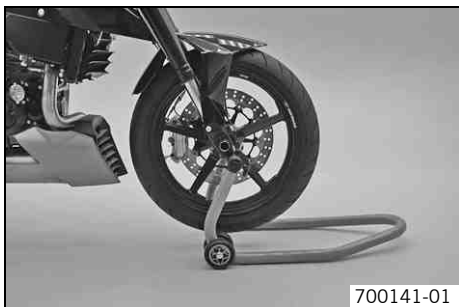
K300A: Every 30,000 km (18,641 mi) or every 4 years

Jacking up front of motorcycle

Note

Danger of damage The parked vehicle may roll away or fall over.

- Always place the vehicle on a firm and even surface.



- Jack up the rear of the motorcycle. (☛ p. 62)
- Move the handlebar to the straight-ahead position. Align the work stand to the front with the adapters to the fork legs.

Front work stand (61029055300)



Info

Always jack up the rear of the motorcycle first.

- Jack up the front of the motorcycle.

Taking the front from the work stand

Note

Danger of damage The parked vehicle may roll away or fall over.

- Always place the vehicle on a firm and even surface.

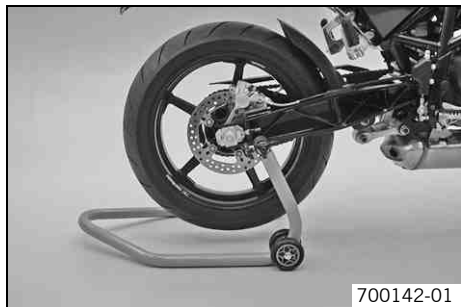
- Secure the motorcycle against falling over.
- Remove the work stand at the front.

Jacking up rear of motorcycle

Note

Danger of damage The parked vehicle may roll away or fall over.

- Always place the vehicle on a firm and even surface.



- Insert the work stand adapter in the work stand and screw it into the link forks.

Work stand adapter (61029055110)

Work stand rear (61029055100)

- Stand the motorcycle upright, align the work stand to the rear, and jack up the motorcycle.

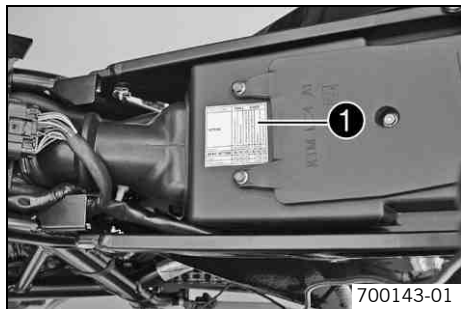
Taking the rear from the work stand

Note

Danger of damage The parked vehicle may roll away or fall over.

- Always place the vehicle on a firm and even surface.
- Secure the motorcycle against falling over.
- Remove the work stand from the rear and lean the vehicle on the side stand.

Fork/shock absorber



The fork and the shock absorber offer many options of adapting the chassis to your riding style and the payload.



Info

To help you adapt the vehicle, we have summarized our findings in Table 1. You can find the table on the air filter box under the seat.

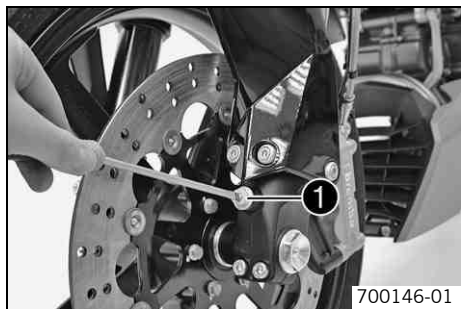
These adjustments should be understood as a guideline and should always be the basis of your own personal chassis adaptation. Do not change the adjustments at random or by more than $\pm 40\%$, since otherwise the riding characteristics could deteriorate, particularly at high speeds.

Adjusting the compression damping of the fork



Info

The hydraulic compression damping determines the fork suspension behavior.



- Turn adjusting screws 1 clockwise until they stop.



Info

The adjusting screws are located at the bottom end of the fork legs. Make the same adjustment on both fork legs.

- Turn back counterclockwise by the number of clicks corresponding to the fork type.

Guideline

Compression damping	
Comfort	20 clicks
Standard	15 clicks
Sport	10 clicks
Full payload	10 clicks



Info

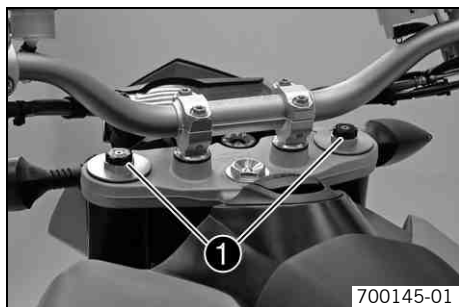
Turn clockwise to increase damping, turn counterclockwise to reduce suspension damping.

Adjusting the rebound damping of the fork



Info

The hydraulic rebound damping determines the fork rebound behavior.



- Turn adjusting screws ❶ clockwise until they stop.



Info

The adjusting screws are located at the top end of the fork legs. Make the same adjustment on both fork legs.

- Turn back counterclockwise by the number of clicks corresponding to the fork type.

Guideline

Rebound damping	
Comfort	20 clicks
Standard	15 clicks
Sport	10 clicks
Full payload	10 clicks



Info

Turn clockwise to increase damping; turn counterclockwise to reduce damping.

Compression damping of the shock absorber

The shock absorber can regulate compression damping in low- and high-speed range separately (Dual Compression Control). The term low speed and high speed refer to the movement of the shock absorber during compression and not the riding speed of the motorcycle.

Changes in the settings in the low-speed range have an impact on the high-speed range and vice versa.

Adjusting the low-speed compression damping of the shock absorber



Danger

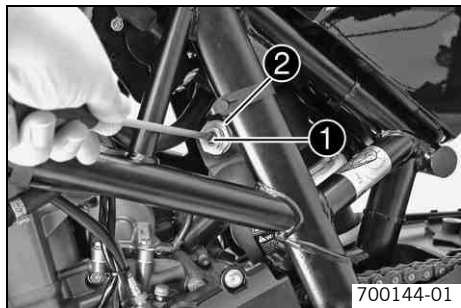
Danger of accidents Disassembly of pressurized parts can lead to injury.

- The shock absorber is filled with high density nitrogen. Adhere to the description provided. (Your authorized KTM workshop will be glad to help.)



Info

The low-speed setting can be seen during the slow to normal compression of the shock absorber.



- Turn the adjusting screw ❶ clockwise with a screwdriver up to the last perceptible click.

i Info
Do not loosen nut ❷!

- Turn back counterclockwise by the number of clicks corresponding to the shock absorber type.

Guideline

Compression damping, low-speed	
Comfort	20 clicks
Standard	15 clicks
Sport	10 clicks
Full payload	10 clicks

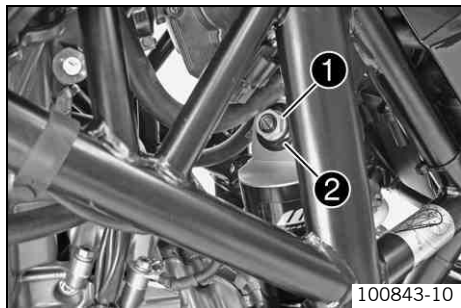
i Info
Turn clockwise to increase damping; turn counterclockwise to reduce damping.

Adjusting the high-speed compression damping of the shock absorber

! Danger
Danger of accidents Disassembly of pressurized parts can lead to injury.

- The shock absorber is filled with high density nitrogen. Adhere to the description provided. (Your authorized KTM workshop will be glad to help.)

i Info
The high-speed setting can be seen during the fast compression of the shock absorber.



- Turn adjusting screw ❶ all the way clockwise using a socket wrench.



Info

Do not loosen nut ❷!

- Turn back counterclockwise by the number of turns corresponding to the shock absorber type.

Guideline

Compression damping, high-speed	
Comfort	2.0 turns
Standard	1.5 turns
Sport	1.0 turn
Full payload	1.0 turn



Info

Turn clockwise to increase damping; turn counterclockwise to reduce damping.

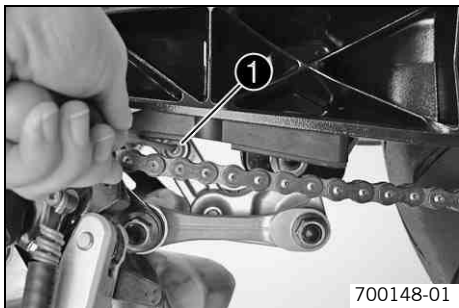
Adjusting the rebound damping of the shock absorber



Danger

Danger of accidents Disassembly of pressurized parts can lead to injury.

- The shock absorber is filled with high density nitrogen. Adhere to the description provided. (Your authorized KTM workshop will be glad to help.)



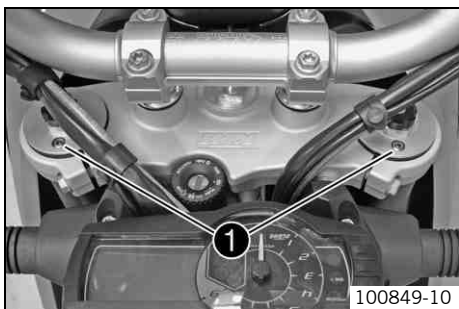
- Turn adjusting screw ❶ clockwise up to the last perceptible click.
- Turn back counterclockwise by the number of clicks corresponding to the shock absorber type.

Guideline

Rebound damping	
Comfort	20 clicks
Standard	15 clicks
Sport	10 clicks
Full payload	10 clicks

i Info
Turn clockwise to increase damping; turn counterclockwise to reduce damping.

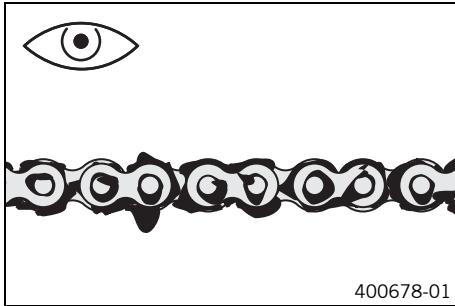
Bleeding the fork legs



- Lean the motorcycle on the side stand.
- Remove bleeder screws ❶ briefly.
- ✓ Any excess pressure escapes from the interior of the fork.
- Mount and tighten bleeder screws.

i Info
Carry out this action on both fork legs.

Checking the chain for dirt



- Check the chain for heavy soiling.
 - » If the chain is very dirty:
 - Clean the chain. (☛ p. 69)

Cleaning the chain



Warning

Danger of accidents Oil or grease on the tires reduces their grip.

- Remove oil and grease with a suitable cleaning material.



Warning

Danger of accidents Reduced braking efficiency due to oil or grease on the brake discs.

- Always keep the brake discs free of oil and grease, and clean them with brake cleaner when necessary.



Warning

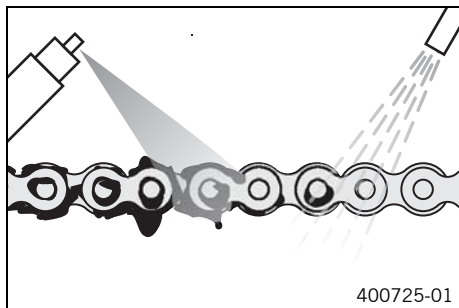
Environmental hazard Hazardous substances cause environmental damage.

- Oil, grease, filters, fuel, cleaners, brake fluid, etc., should be disposed of as stipulated in applicable regulations.



Info

The service life of the chain depends largely on its maintenance.



- Clean the chain regularly.
- Rinse off loose dirt with a soft jet of water.
- Remove old grease remains with chain cleaner.

Chain cleaner (☛ p. 174)

- After drying, apply chain spray.

Chain lube for road use (☛ p. 174)

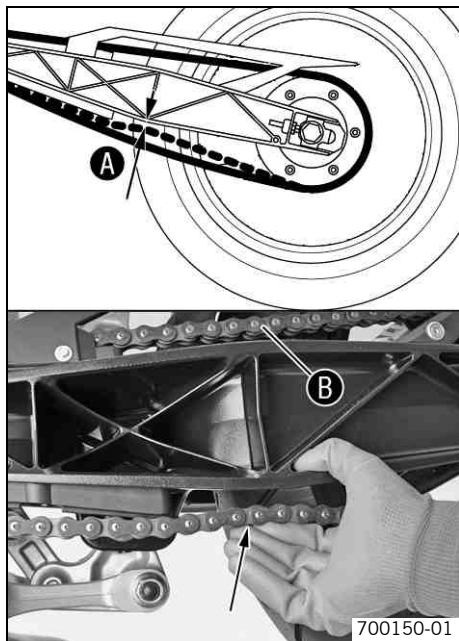
Checking the chain tension



Warning

Danger of accidents Danger caused by incorrect chain tension.

- If the chain tension is too high, the components of the secondary power train (chain, engine sprocket, rear sprocket, bearings in transmission and rear wheel) are under additional load. Apart from premature wear, in extreme cases the chain can rupture or the countershaft of the transmission can break. On the other hand, if the chain is loose, it can fall off the engine sprocket or the rear sprocket and block the rear wheel or damage the engine. Check the chain tension and correct if necessary.



- Lean the motorcycle on the side stand.
- Shift gear to neutral.
- Push the chain upwards near the vertical rib of the swingarm and measure the chain tension **A**.

i Info

The upper chain section **B** must be taut.

Chain wear is not always even, so you should repeat this measurement at different chain positions.

Chain tension	5 mm (0.2 in)
---------------	---------------

- » If the chain tension does not meet specifications:
 - Adjust the chain tension. (🔧 p. 71)

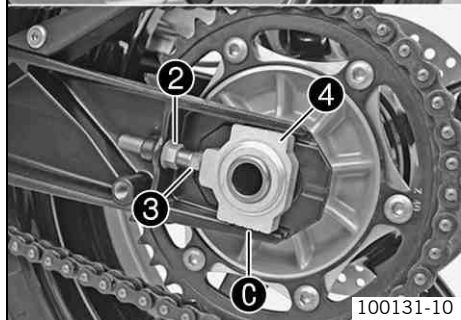
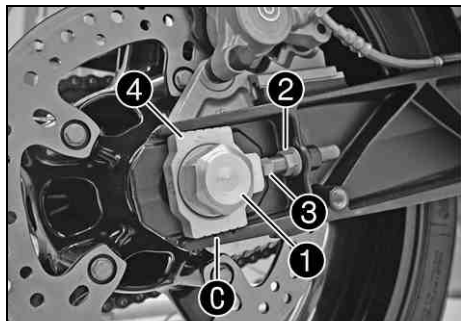
Adjusting the chain tension



Warning

Danger of accidents Danger caused by incorrect chain tension.

- If the chain tension is too high, the components of the secondary power train (chain, engine sprocket, rear sprocket, bearings in transmission and rear wheel) are under additional load. Apart from premature wear, in extreme cases the chain can rupture or the countershaft of the transmission can break. On the other hand, if the chain is loose, it can fall off the engine sprocket or the rear sprocket and block the rear wheel or damage the engine. Check the chain tension and correct if necessary.



100131-10

- Check the chain tension. (☛ p. 70)
- Loosen nut ❶.
- Loosen nuts ❷.
- Adjust the chain tension by turning adjusting screws ❸ on the left and right.

Guideline

Chain tension	5 mm (0.2 in)
Turn the left and right adjusting screws ❸ so that the markings on the left and right chain adjusters ❹ are in the same position relative to the reference marks ❷. The rear wheel is then correctly aligned.	

i Info

The upper chain section must be taut.

Chain wear is not always even, so you should check this setting at different chain positions.

- Tighten nuts ❷.
- Make sure that the chain adjusters ❹ are installed correctly on adjusting screws ❸.
- Tighten nut ❶.

Guideline

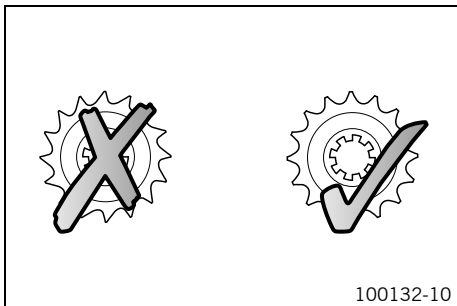
Nut, rear wheel spindle	M25x1.5	90 Nm (66.4 lbf ft)
-------------------------	---------	------------------------


i Info

The wide adjustment range of the chain adjusters (30 mm (1.18 in)) enables different secondary transmissions with the same chain length.

The chain adjusters ❹ can be turned through 180°.

Checking the chain, rear sprocket and engine sprocket

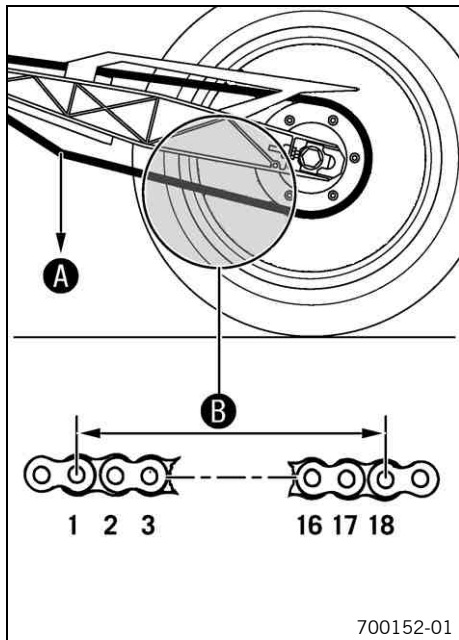


- Check the rear sprocket and engine sprocket for wear.
 - » If the rear sprocket and engine sprocket are worn:
 - Replace the rear sprocket or engine sprocket. 



Info

The engine sprocket, rear sprocket and chain should always be replaced together.



- Shift into neutral; pull the lower chain section with the specified weight **A**.

Guideline

Weight of chain wear measurement	15 kg (33 lb.)
----------------------------------	----------------

- Measure the distance **B** of 18 chain links in the lower chain section.

i Info

Chain wear is not always even, so you should repeat this measurement at different chain positions.

Maximum distance B at the longest chain section	272 mm (10.71 in)
--	-------------------

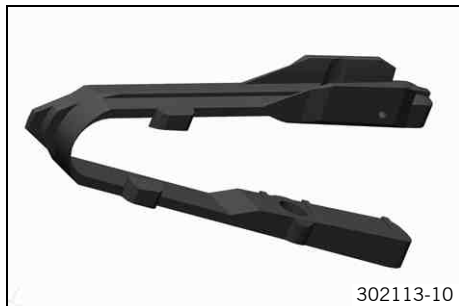
- » If the distance **B** is greater than the specified measurement:

- Replace the chain.

i Info

When the chain is replaced, the rear sprocket and engine sprocket should also be changed.
New chains wear out faster on old, worn sprockets.
For safety reasons, the chain has no chain joint.

- Check the chain sliding guard for wear.
 - » If the chain sliding guard is worn:
 - Replace the chain sliding guard.
- Check that the chain sliding guard is firmly seated.
 - » If the chain sliding guard is loose:
 - Tighten the chain sliding guard.



Guideline

Remaining screws, chassis	M6	10 Nm (7.4 lbf ft)
---------------------------	----	-----------------------

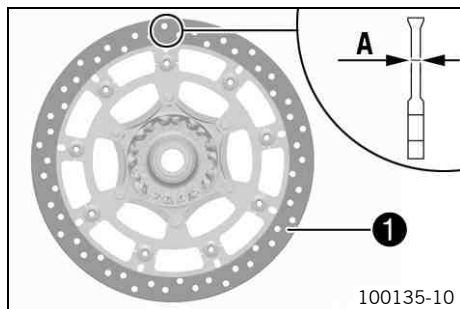
Checking the brake discs



Warning

Danger of accidents Reduced braking efficiency due to worn brake disc(s).

- Change the worn brake disc(s) without delay. (Your authorized KTM workshop will be glad to help.)



- Check the thickness of the front and rear brake discs in several places to ensure that it conforms to measurement **A**.

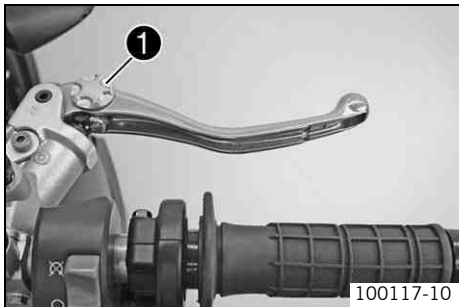
i Info

Wear reduces the thickness of the brake disc at the contact surface **1** of the brake disc.

Brake discs - wear limit	
Front	3.6 mm (0.142 in)
Rear	4.5 mm (0.177 in)

- » If the brake disc thickness is less than the specified value:
 - Replace the brake disc.
- Check the front and rear brake discs for damage, cracks, and deformation.
 - » If damage, cracks, or deformation are visible on the brake disc:
 - Replace the brake disc.

Adjusting the basic position of the hand brake lever



- Adjust the basic setting of the hand brake lever to your hand size by turning adjusting wheel ❶.

Info

Pull the brake lever forwards and turn the adjusting wheel.
Do not make adjustments while riding!

Checking the front brake fluid level



Warning

Danger of accidents Failure of the brake system.

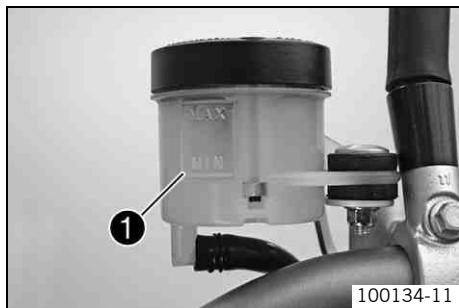
- If the brake fluid level falls below the **MIN** mark, this indicates a leakage in the brake system or worn-out brake linings. Check the brake system and do not continue riding. (Your authorized KTM workshop will be glad to help.)



Warning

Danger of accidents Reduced braking effect caused by old brake fluid.

- Change the brake fluid of the front and rear brakes according to the service schedule. (Your authorized KTM workshop will be glad to help.)



- Move the brake fluid reservoir mounted on the handlebar to a horizontal position.
- Check the brake fluid level in the viewer ❶.
 - » If the brake fluid level is below the **MIN** mark:
 - Add front brake fluid. 🛠️ (🔧 p. 77)

Adding front brake fluid 🛠️



Warning

Danger of accidents Failure of the brake system.

- If the brake fluid level falls below the **MIN** mark, this indicates a leakage in the brake system or worn-out brake linings. Check the brake system and do not continue riding. (Your authorized KTM workshop will be glad to help.)



Warning

Skin irritation Brake fluid can cause skin irritation on contact.

- Avoid contact with skin and eyes, and keep out of the reach of children.
- Wear suitable protective clothing and goggles.
- If brake fluid gets into your eyes, rinse thoroughly with water and contact a doctor immediately.



Warning

Danger of accidents Reduced braking effect caused by old brake fluid.

- Change the brake fluid of the front and rear brakes according to the service schedule. (Your authorized KTM workshop will be glad to help.)



Warning

Environmental hazard Hazardous substances cause environmental damage.

- Oil, grease, filters, fuel, cleaners, brake fluid, etc., should be disposed of as stipulated in applicable regulations.



Info

Never use DOT 5 brake fluid! It is silicone-based and purple in color. Oil seals and brake lines are not designed for DOT 5 brake fluid.

Avoid contact between brake fluid and painted parts. Brake fluid attacks paint!

Use only clean brake fluid from a sealed container!

- Move the brake fluid reservoir mounted on the handlebar to a horizontal position.
- Remove the screws.
- Remove cover ❶ with membrane ❷.
- Add brake fluid to the **MAX** mark.

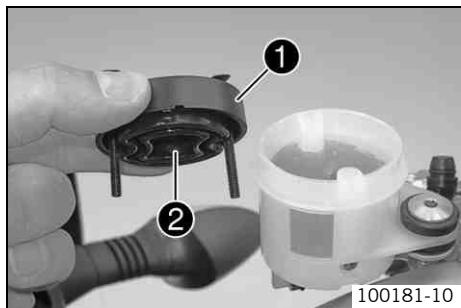
Brake fluid DOT 4 / DOT 5.1 (☞ p. 170)

- Position the cover with the membrane. Mount and tighten the screws.



Info

Clean up overflowed or spilt brake fluid immediately with water.



Checking the front brake linings



Warning

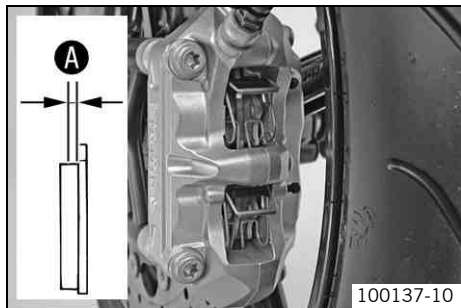
Danger of accidents Reduced braking efficiency caused by worn brake linings.

- Change worn brake linings immediately. (Your authorized KTM workshop will be glad to help.)

Note

Danger of accidents Reduced braking efficiency caused by damaged brake discs.

- If the brake linings are not changed in time, the steel brake lining carriers grind on the brake disc. The braking effect is greatly reduced and the brake discs are rendered unserviceable. Check the brake linings regularly.



- Check the brake linings for minimum thickness **A**.

Minimum thickness A	$\geq 1 \text{ mm } (\geq 0.04 \text{ in})$
----------------------------	---

- » If the minimum thickness is less than specified:
 - Change the front brake linings. 🔧
- Check the brake linings for damage and cracking.
 - » If there is wear or tearing:
 - Change the front brake linings. 🔧

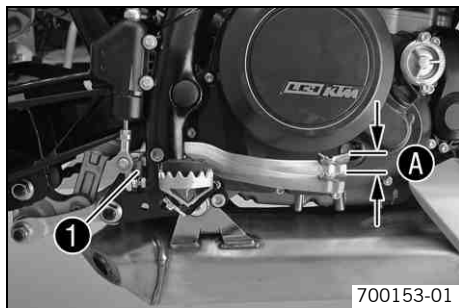
Checking the free travel of foot brake lever



Warning

Danger of accidents Brake system failure.

- If there is no free travel on the foot brake lever, pressure builds up on the rear brake circuit. The rear brake can fail due to overheating. Adjust free travel on foot brake lever according to specifications.



- Disconnect spring ❶.
- Move the foot brake lever back and forth between the end stop and the contact to the foot brake cylinder piston and check free travel ❸.

Guideline

Free travel at foot brake lever	3... 5 mm (0.12... 0.2 in)
---------------------------------	----------------------------

- » If the free travel does not meet specifications:
 - Adjust the basic position of the foot brake lever. 🛠️ (p. 80)
- Reconnect spring ❶.

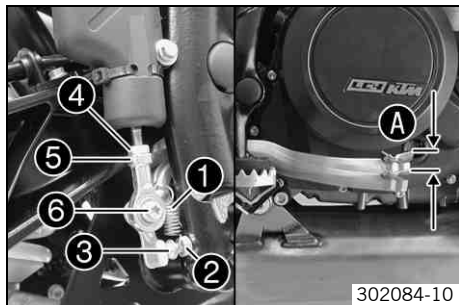
Adjusting the basic position of the foot brake lever 🛠️



Warning

Danger of accidents Brake system failure.

- If there is no free travel on the foot brake lever, pressure builds up on the rear brake circuit. The rear brake can fail due to overheating. Adjust free travel on foot brake lever according to specifications.



- Disconnect spring ❶.
- Remove screw ❸.
- Loosen nut ❹ and turn it back with ball joint ❺ until the maximum amount of free travel is reached.
- To adjust the basic position of the foot brake lever individually, loosen nut ❷ and turn screw ❹ accordingly.



Info

The range of adjustment is limited.

- Turn ball joint ❺ as required until free travel ❸ is reached. If necessary, adjust the basic position of the foot brake lever.

Guideline

Free travel at foot brake lever	3... 5 mm (0.12... 0.2 in)
---------------------------------	----------------------------

- Hold screw ③ and tighten nut ②.

Guideline

Remaining nuts, chassis	M6	15 Nm (11.1 lbf ft)
-------------------------	----	------------------------

- Hold ball joint ⑤ in place and tighten nut ④.

Guideline

Remaining nuts, chassis	M6	15 Nm (11.1 lbf ft)
-------------------------	----	------------------------

- Mount and tighten screw ⑥.

Guideline

Screw, ball joint of push rod on foot brake cylinder	M6	10 Nm (7.4 lbf ft)	Loctite® 243™
--	----	-----------------------	---------------

- Reconnect spring ①.

Checking rear brake fluid level



Warning

Danger of accidents Failure of the brake system.

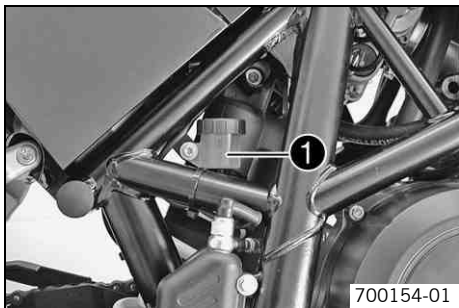
- If the brake fluid level falls below the **MIN** mark, this indicates a leakage in the brake system or worn-out brake linings. Check the brake system and do not continue riding. (Your authorized KTM workshop will be glad to help.)



Warning

Danger of accidents Reduced braking effect caused by old brake fluid.

- Change the brake fluid of the front and rear brakes according to the service schedule. (Your authorized KTM workshop will be glad to help.)



- Stand the vehicle upright.
- Check the brake fluid level in the brake fluid reservoir.
 - » If the fluid level reaches the **MIN** marking ❶:
- Add rear brake fluid. 🛠️ (📖 p. 82)

Adding rear brake fluid 🛠️



Warning

Danger of accidents Failure of the brake system.

- If the brake fluid level falls below the **MIN** mark, this indicates a leakage in the brake system or worn-out brake linings. Check the brake system and do not continue riding. (Your authorized KTM workshop will be glad to help.)



Warning

Skin irritation Brake fluid can cause skin irritation on contact.

- Avoid contact with skin and eyes, and keep out of the reach of children.
- Wear suitable protective clothing and goggles.
- If brake fluid gets into your eyes, rinse thoroughly with water and contact a doctor immediately.



Warning

Danger of accidents Reduced braking effect caused by old brake fluid.

- Change the brake fluid of the front and rear brakes according to the service schedule. (Your authorized KTM workshop will be glad to help.)



Warning

Environmental hazard Hazardous substances cause environmental damage.

- Oil, grease, filters, fuel, cleaners, brake fluid, etc., should be disposed of as stipulated in applicable regulations.

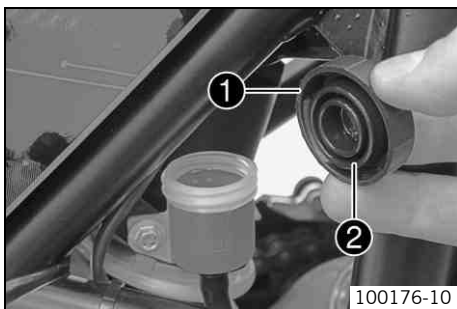


Info

Never use DOT 5 brake fluid! It is silicone-based and purple in color. Oil seals and brake lines are not designed for DOT 5 brake fluid.

Avoid contact between brake fluid and painted parts. Brake fluid attacks paint!

Use only clean brake fluid from a sealed container!



- Stand the vehicle upright.
- Remove screw cap ❶ with the washer and membrane ❷.
- Add brake fluid to the **MAX** mark.

Brake fluid DOT 4 / DOT 5.1 (☛ p. 170)

- Mount the screw cap with the washer and membrane.



Info

Clean up overflowed or spilt brake fluid immediately with water.

Checking the rear brake linings



Warning

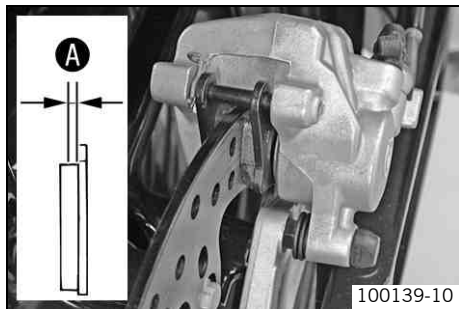
Danger of accidents Reduced braking efficiency caused by worn brake linings.

- Change worn brake linings immediately. (Your authorized KTM workshop will be glad to help.)

Note

Danger of accidents Reduced braking efficiency caused by damaged brake discs.

- If the brake linings are not changed in time, the steel brake lining carriers grind on the brake disc. The braking effect is greatly reduced and the brake discs are rendered unserviceable. Check the brake linings regularly.



- Check the brake linings for minimum thickness **A**.

Minimum thickness A	$\geq 1 \text{ mm } (\geq 0.04 \text{ in})$
----------------------------	---

- » If the minimum thickness is less than specified:



- Change the rear brake linings. 

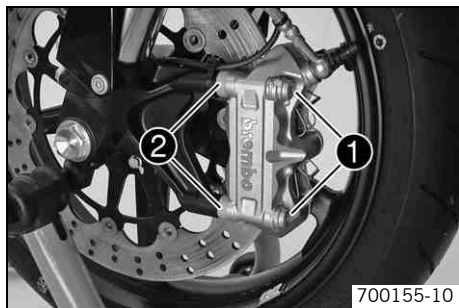
- Check the brake linings for damage and cracking.

- » If there is wear or tearing:

- Change the rear brake linings. 

Removing the front wheel

- Jack up the rear of the motorcycle. ( p. 62)
- Jack up the front of the motorcycle. ( p. 61)

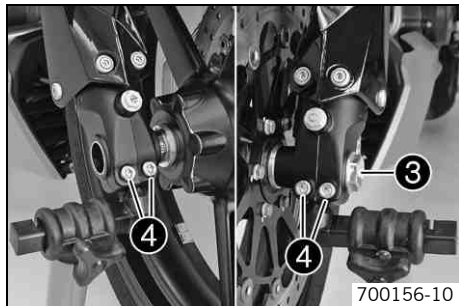


700155-10

- Remove screws ❶ and spacers ❷.
- Press back the brake linings with a light lateral tilting of the brake caliper on the brake disc. Pull the brake caliper carefully back from the brake disc and hang it to one side.

Info

Do not pull the hand brake lever while the brake caliper is removed.



700156-10

- Loosen screws ❸ and ❹.
- Unscrew screw ❸ about 6 turns, press your hand on the screw to push the wheel spindle out of the fork stub. Remove screw ❸.

Warning

Danger of accidents Reduced braking efficiency caused by damaged brake discs.

- Always lay the wheel down in such a way that the brake disc is not damaged.
- Holding the front wheel, withdraw the wheel spindle. Take the front wheel out of the fork.

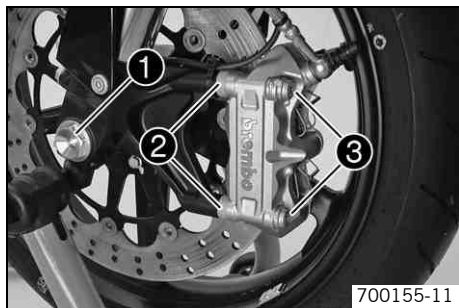
Installing the front wheel



Warning

Danger of accidents Reduced braking efficiency due to oil or grease on the brake discs.

- Always keep the brake discs free of oil and grease, and clean them with brake cleaner when necessary.



- Check the wheel bearing for damage and wear.
 - » If the wheel bearing is damaged or worn:
 - Replace the wheel bearing. 🛠️
- Clean and grease the thread of the wheel spindle and screw ❶.

Long-life grease (🛠️ p. 175)

- Lift the front wheel into the fork, position it, and insert the wheel spindle. Mount and tighten screw ❶.

Guideline

Screw, front wheel spindle	M24x1.5	40 Nm (29.5 lbf ft)
----------------------------	---------	------------------------

- Position the brake caliper and check that the brake linings are seated correctly.
- Position spacers ❷. Mount screws ❸ but do not tighten yet.
- Operate the hand brake lever repeatedly until the brake linings lie on the brake disc and there is a pressure point. Fix the hand brake lever in the activated position.
- ✓ The brake caliper straightens.
- Fully tighten screws ❸.

Guideline

Screw, front brake caliper	M10x1.25	45 Nm (33.2 lbf ft)	Loctite® 243™
----------------------------	----------	------------------------	----------------------

- Remove the fixation of the hand brake lever.



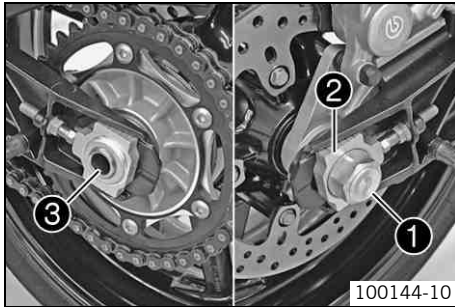
- Take the front from the work stand. (🔧 p. 61)
- Pull the front wheel brake and push down hard on the fork several times to align the fork legs.
- Fully tighten screws ④.

Guideline

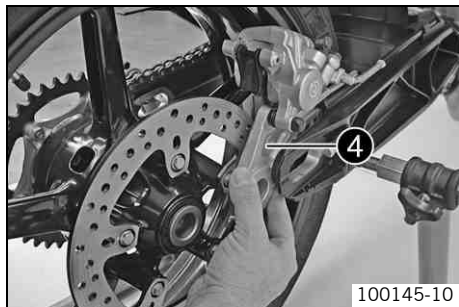
Screw, fork stub	M8	15 Nm (11.1 lbf ft)
------------------	----	------------------------

- Take the rear from the work stand. (🔧 p. 62)

Removing rear wheel 🛠️



- Jack up the rear of the motorcycle. (🔧 p. 62)
- Remove nut ①. Remove chain adjuster ②. Holding the rear wheel, withdraw the wheel spindle ③.
- Push the rear wheel forward as far as possible and take the chain off the rear sprocket.



- Pull the rear wheel and brake caliper support ④ together to the rear until you can swing the brake caliper support to the side.



Warning

Danger of accidents Reduced braking efficiency caused by damaged brake discs.

- Always lay the wheel down in such a way that the brake disc is not damaged.
- Take the rear wheel out of the swingarm.



Info

Do not operate the foot brake when the rear wheel is removed.

Installing the rear wheel 🛠️



Warning

Danger of accidents Reduced braking efficiency due to oil or grease on the brake discs.

- Always keep the brake discs free of oil and grease, and clean them with brake cleaner when necessary.

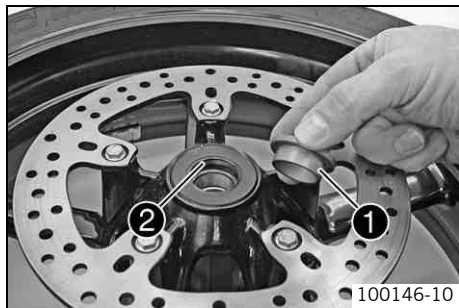


Warning

Danger of accidents No braking effect when operating the rear brake.

- After installing the rear wheel, always operate the foot brake until the pressure point is reached.

- Check the rear hub rubber dampers. 🛠️ (👉 p. 90)



- Check the wheel bearing for damage and wear.
 - » If the wheel bearing is damaged or worn:
 - Replace the wheel bearing. 🛠️
- Remove spacer ❶. Clean and grease the working surfaces of the bushing and shaft seal ring ❷.

Long-life grease (🛠️ p. 175)

- Clean and grease the thread of the wheel spindle and nut ❹.

Long-life grease (🛠️ p. 175)

- Clean the mating surfaces of the brake caliper frame and swingarm.
- Install the rubber damper and rear sprocket carrier in the rear wheel.
- Stand the rear wheel in the swingarm and mount the brake caliper on the brake disc.
- Push the brake caliper support and the swingarm ❶ into the fixing location. Lay the chain on the rear sprocket and mount the wheel spindle.

i Info

Mount the left and right chain adjusters ❸ in the same position.

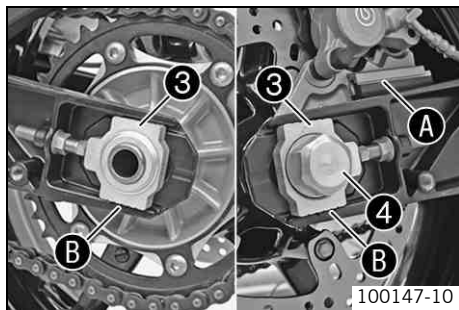
- Push the rear wheel forward so that the chain adjusters are in contact with the adjusting screws, and tighten nut ❹.

Guideline

In order for the rear wheel to be correctly aligned, the markings on the left and right chain adjusters must be in the same position relative to the reference marks ❷.

Nut, rear wheel spindle	M25x1.5	90 Nm (66.4 lbf ft)
-------------------------	---------	------------------------

- Operate the foot brake lever repeatedly until the brake linings press up against the brake disc and there is a pressure point.



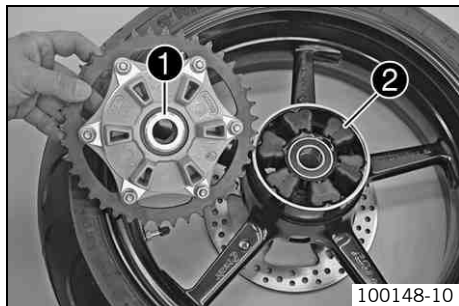
- Take the rear from the work stand. (☞ p. 62)

Checking the rear hub rubber dampers ☞

i Info

The engine power is transmitted from the rear sprocket to the rear wheel via 6 rubber dampers. They eventually wear out during operation. If the rubber dampers are not changed in time, the rear sprocket carrier and the rear hub will be damaged.

- Remove the rear wheel. ☞ (☞ p. 87)
- Check bearing ①.
 - » If the bearing is damaged or worn:
 - Replace the bearings. ☞
- Check rubber dampers ② of the rear hub for damage and wear.
 - » If the rubber dampers of the rear hub are damaged or worn:
 - Change all rubber dampers in the rear hub.



100148-10

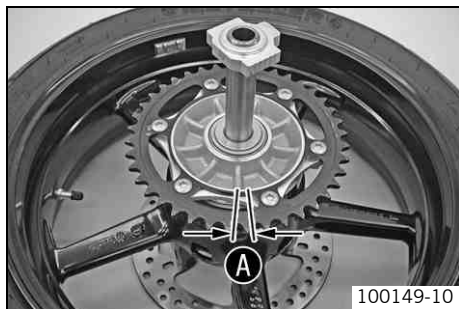
- Lay the rear wheel on a workbench with the rear sprocket facing upwards and insert the wheel spindle in the hub.
- To check play **A**, hold the rear wheel tight and try to rotate the rear sprocket.

i Info


Measure the play on the outside of the rear sprocket.

Play in rubber dampers, rear wheel	≤ 5 mm (≤ 0.2 in)
------------------------------------	-------------------

- » If play **A** is larger than the specified value:



100149-10

- Change all rubber dampers in the rear hub.
- Install the rear wheel.  (p. 88)

Checking the tire condition



Warning

Danger of accidents Uncontrollable handling characteristic caused by a flat tire.

- For your own safety, have damaged tires changed immediately.



Warning

Danger of crashing Poor vehicle handling due to different tire tread patterns on front and rear wheels.

- The front and rear wheels must be fitted with tires with similar tread patterns to prevent loss of control over the vehicle.



Warning

Danger of accidents Uncontrollable handling characteristic due to non-approved and/or non-recommended tires/wheels.

- Only tires/wheels approved by KTM and with the corresponding speed index should be used.



Warning

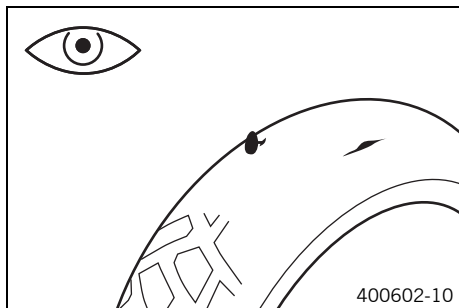
Danger of accidents Reduced road grip with new tires.

- New tires have a smooth rolling surface and therefore cannot provide full road grip. The entire rolling surface must be roughened in the first 200 kilometers (124.3 miles) by moderate riding at alternating angles. The full grip levels are not achieved until the tires have been run in.



Info

The type, condition and air pressure of the tires all have a major impact on the handling of the motorcycle. Worn tires have a negative effect on riding behavior, especially on wet surfaces.



- Check the front and rear tires for cuts, run-in objects and other damage.
 - » If the tires exhibit cuts, run-in objects or other damage:
 - Change the tires.
- Check the depth of the tread.

i Info

Note local national regulations concerning the minimum tread depth.

Minimum tread depth	$\geq 2 \text{ mm } (\geq 0.08 \text{ in})$
---------------------	---

- » If the tread depth is less than the minimum permissible depth:
 - Change the tires.
- Check the age of the tires.

i Info

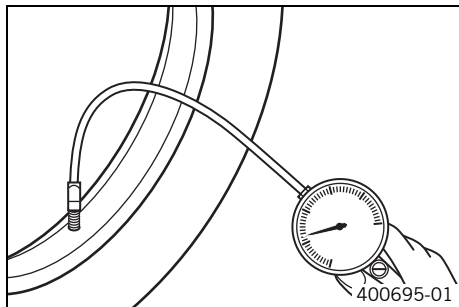
The tire's date of manufacture is usually part of the tire markings and is indicated by the last four digits of the **DOT** marking. The first two digits refer to the week of manufacture and last two digits refer to the year of manufacture. KTM recommends that the tires are changed regardless of the actual wear, at the latest after five years.

- » If a tire is more than five years old:
 - Change the tires.

Checking the tire pressure

i Info

Low tire pressure leads to abnormal wear and overheating of the tire. Correct tire pressure ensures optimal riding comfort and maximum tire service life.



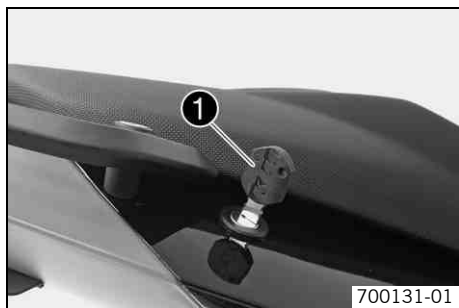
- Remove the dust cap.
- Check the tire pressure when the tires are cold.

Tire air pressure, solo	
Front	2.0 bar (29 psi)
Rear	2.0 bar (29 psi)

Tire air pressure with passenger / fully loaded	
Front	2.0 bar (29 psi)
Rear	2.2 bar (32 psi)

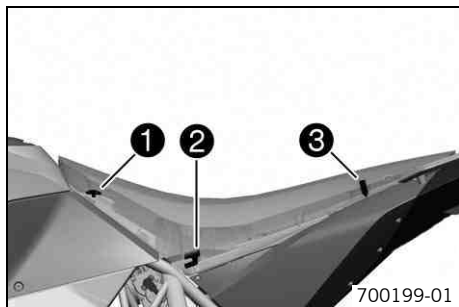
- » If the tire pressure does not meet specifications:
 - Correct the tire pressure.
- Mount the dust cap.

Removing the seat



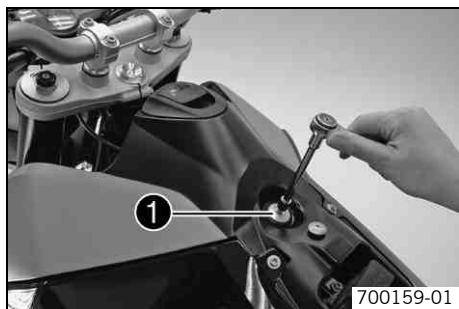
- Insert the ignition key in the seat lock **1** and turn it 45° counterclockwise.
- Lift up the seat at the rear, pull it back and remove from above.

Mounting the seat



- Suspend the seat on the screw ❶, press the rear downwards and at the same time push it forwards. The two projections ❷ must be inserted into the frame.
- Push the locking pin ❸ into the lock housing and push the back of the seat down until the locking pin locks in place with an audible click.
- Remove the ignition key from the seat lock.
- Finally, check that the seat is correctly mounted.

Reinstalling the fuel tank

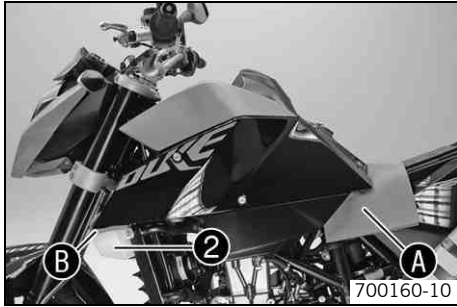


- Remove the seat. (🔧 p. 93)
- Remove screw ❶.



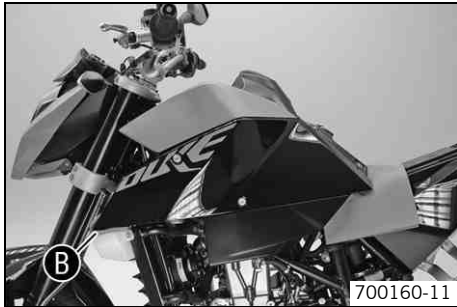
Info

The fuel lines do not need to be disconnected.

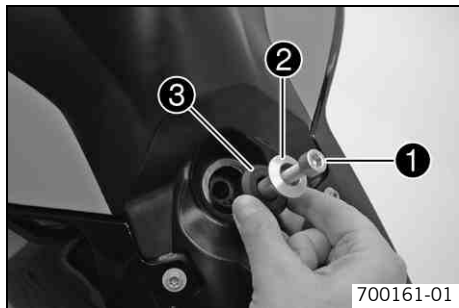


- Lay a cloth **A** over the subframe and straighten the steering.
- Carefully raise the fuel tank and move it backwards.
- Place the fuel tank on the vehicle so that the left spoiler is still lying on the compensating tank **2** (see illustration). Place a cloth **B** between the compensating tank and the spoiler to prevent damage.

Positioning the fuel tank



- Remove the cloth **B** from between the compensating tank and the spoiler.



- Carefully move the fuel tank forwards and lower it.
- Mount and tighten screw ❶ with bearing sleeve ❷ and rubber bushing ❸. Check fuel tank for tight fitting.

Guideline

Screw, fuel tank bracket	M8	15 Nm (11.1 lbf ft)
--------------------------	----	------------------------

- Check the routing of the fuel hoses.
- Mount the seat. (🔧 p. 94)

Removing the battery 🔧

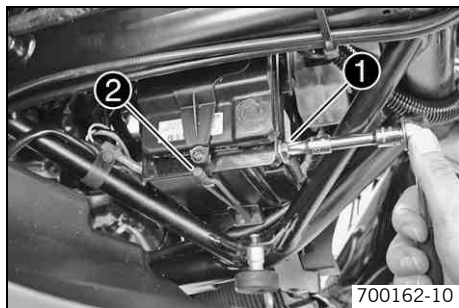


Warning

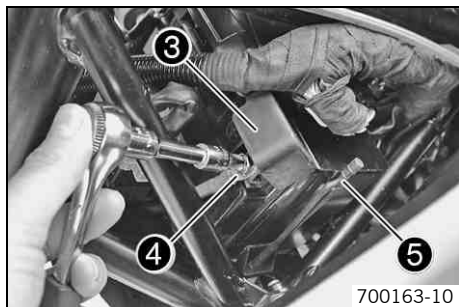
Risk of injury Battery acid and battery gases cause serious cauterization.

- Keep batteries out of the reach of children.
- Wear suitable protective clothing and goggles.
- Avoid contact with battery acid and battery gases.
- Keep the battery away from sparks or open fire. Charge only in well ventilated rooms.
- In the event of skin contact, rinse with large amounts of water. If battery acid gets in the eyes, rinse with water for at least 15 minutes and contact a doctor.

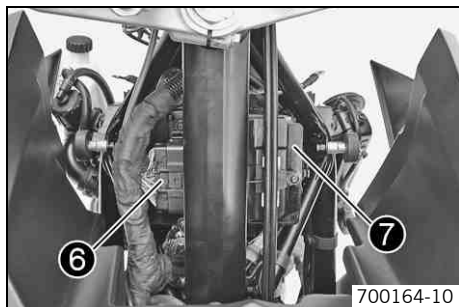
- Remove the seat. (🔧 p. 93)
- Reinstall the fuel tank. (🔧 p. 94)



- Disconnect the negative (minus) cable ❶ of the battery.
- Detach rubber band ❷.



- Fold up positive terminal cover ❸.
- Disconnect the positive (plus) cable ❹ of the battery.
- Detach rubber band ❺.



- Disconnect plug-in connector ❻.
- Remove cover ❼.



- Pull battery ⑧ up and out of the battery rack. Take the battery out of the frame toward the right.

i **Info**

Never operate the motorcycle with a discharged battery or without a battery. In both cases, electrical components and safety devices can be damaged. The vehicle is therefore no longer roadworthy.

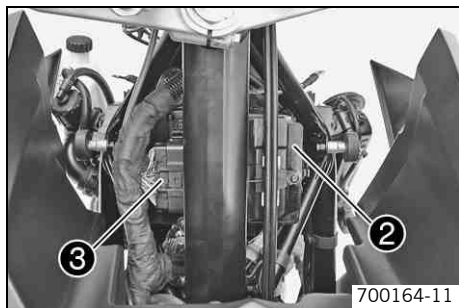
Installing the battery



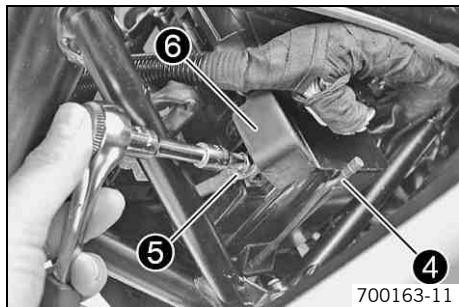
- Push battery ① from the right into the frame. Position the battery in the battery rack.

i **Info**

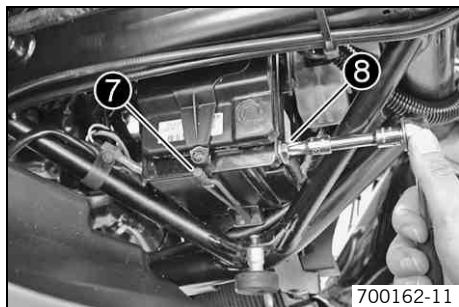
The battery terminals must be at the front.



- Position cover ②.
- Connect plug-in connector ③.



- Secure the cover with rubber band ④.
- Connect positive cable ⑤. Position positive terminal cover ⑥.



- Secure the cover with rubber band ⑦.
- Attach the minus cable ⑧.
- Position the fuel tank. (☞ p. 95)
- Mount the seat. (☞ p. 94)
- Set the clock. (☞ p. 34)

Recharging the battery



Warning

Risk of injury Battery acid and battery gases cause serious cauterization.

- Keep batteries out of the reach of children.
- Wear suitable protective clothing and goggles.
- Avoid contact with battery acid and battery gases.
- Keep the battery away from sparks or open fire. Charge only in well ventilated rooms.
- In the event of skin contact, rinse with large amounts of water. If battery acid gets in the eyes, rinse with water for at least 15 minutes and contact a doctor.



Warning

Environmental hazard Battery parts and acid are harmful to the environment.

- Do not discard batteries with the household trash. Dispose of a defective battery in an environmentally compatible manner. Give the battery to your KTM dealer or to a recycling center that accepts used batteries.



Warning

Environmental hazard Hazardous substances cause environmental damage.

- Oil, grease, filters, fuel, cleaners, brake fluid, etc., should be disposed of as stipulated in applicable regulations.



Info

Even when there is no load on the battery, it still loses power steadily.

The charge state and the type of charge are very important for the service life of the battery.

Rapid recharging with a high charging current shortens the battery's service life.

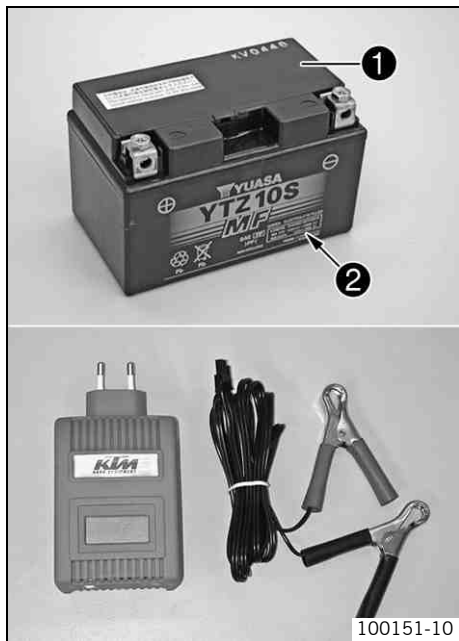
If the charging current, charging voltage and charging time are exceeded, electrolyte escapes through the safety valves. This reduces the battery capacity.

If the battery is depleted from starting the vehicle repeatedly, the battery must be charged immediately.

If the battery is left in a discharged state for an extended period, it will become over-discharged and sulfate, destroying the battery.

The battery is maintenance-free, which means that the acid level does not need to be checked.

-
- Switch off all power consumers and switch off the engine.
 - Reinstall the fuel tank. (☛ p. 94)
 - Disconnect the minus (negative) cable of the battery to avoid damage to the motorcycle's electronics.



- Connect the battery charger to the battery. Switch on the battery charger.

Battery charger (58429074000)

You can also use the battery charger to test rest potential and start potential of the battery, and to test the alternator. With this device, you cannot overcharge the battery.

i Info

Never remove lid ①.

Charge the battery with a maximum of 10% of the capacity specified on the battery housing ②.

- Switch off the charger after charging. Disconnect the battery.

Guideline

The charge current, charge voltage and charge time must not be exceeded.	
--	--

Charge the battery regularly when the motorcycle is not in use	3 months
--	----------

- Position the fuel tank. (☛ p. 95)
- Mount the seat. (☛ p. 94)
- Set the clock. (☛ p. 34)

Changing the main fuse



Warning

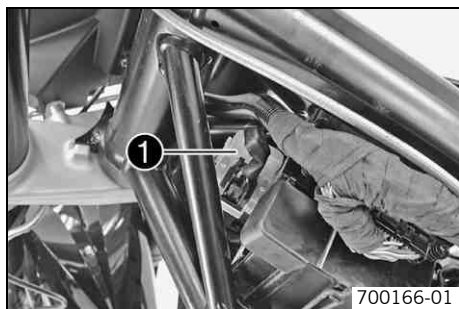
Fire hazard The electrical system can be overloaded by the use of incorrect fuses.

- Use only fuses with the prescribed amperage. Never by-pass or repair fuses.

i Info

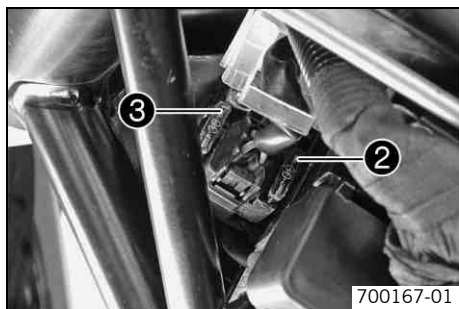
The main fuse protects all power consumers in the vehicle. It is located in the starter relay housing next to the battery.

- Switch off all power consumers and switch off the engine.
- Remove the seat. (☞ p. 93)
- Reinstall the fuel tank. (☞ p. 94)
- Remove protective cover ❶.



- Use a needle nose plier to remove a defective main fuse ❷.
- Insert the new main fuse.

Fuse (58011109130) (☞ p. 161)



i Info

A reserve fuse ❸ is located in the starter relay.

- Mount the protective cap.
- Position the fuel tank. (☞ p. 95)
- Mount the seat. (☞ p. 94)
- Set the clock. (☞ p. 34)

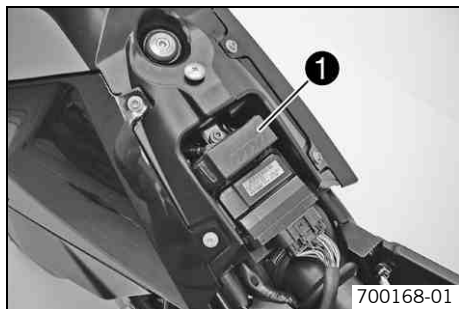
Changing the fuses of individual power consumers



Info

The fuse box containing the fuses of individual power consumers is located under the seat.

- Switch off all power consumers and the engine.
- Remove the seat. (🔧 p. 93)
- Open fuse box cover ❶.





100154-10

- Remove the faulty fuse.

Guideline

Fuse 1 - 10A - ignition, combination instrument, alarm system (optional)
Fuse 2 - 10A - clock, ignition (EFI control unit)
Fuse 3 - 10A - throttle valve control unit
Fuse 4 - 10A - fuel pump
Fuse 5 - 10A - radiator fan
Fuse 6 - 10A - horn, brake light, turn signal, alarm system (optional)
Fuse 7 - 15A - high beam, low beam, parking light, tail light, license plate lamp
Fuse 8 - 10A - for accessories (accessories connected with ignition switch)
Fuse 9 - 10A - for accessories (permanent positive)
Fuse 10 - not used
Fuse SPARE - 10A/15A - spare fuses



Info

A defective fuse can be identified by the burned-out fuse wire **A**.



Warning

Fire hazard The electrical system can be overloaded by the use of incorrect fuses.

- Use only fuses with the prescribed amperage. Never by-pass or repair fuses.
- Use spare fuses with the correct rating only.

Fuse (75011088010) (☛ p. 161)

Fuse (75011088015) (☛ p. 161)



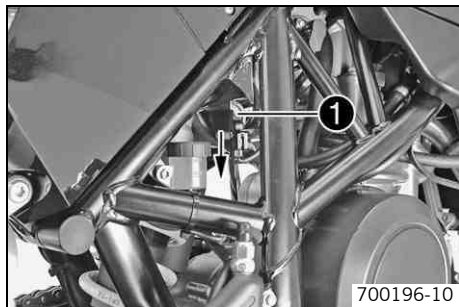
Tip

Replace the spare fuse in the fuse box so that it is available if needed.

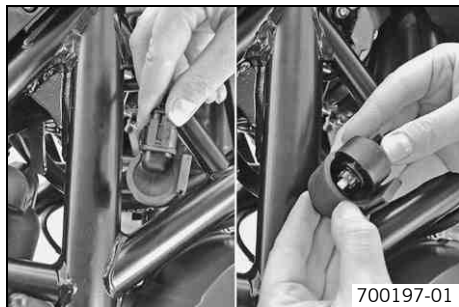
- Check that the power consumer is functioning properly.
- Close the fuse box cover.
- Mount the seat. (👉 p. 94)

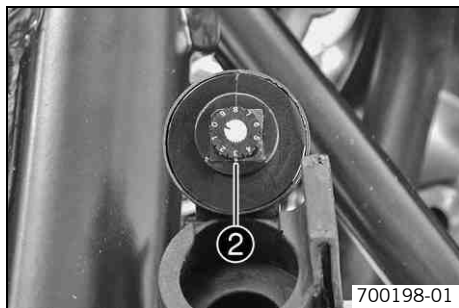
Adjusting the engine characteristic

- Switch off the ignition by turning the ignition key to the position ☒.
- Pull the **Map-Select** switch with holder ❶ downward off of the retaining bracket.



- Position the **Map-Select** switch on the outside of the frame.
- Pull the **Map-Select** switch out of the holder.





- Turn the adjusting wheel until the desired digit is next to marking ②.



Info

Position **0** has no function.

Set the Map-Select switch to Soft.

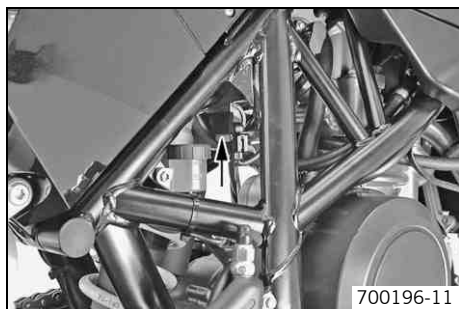
- Set the adjusting wheel to position **1**.
 - ✓ Soft – reduced homologated peak performance for better driveability

Set the Map-Select switch to Advanced.

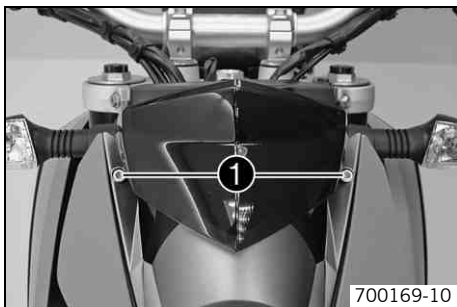
- Set the adjusting wheel to position **2**.
 - ✓ Advanced – homologated performance with extremely direct responsiveness

Set the Map-Select switch to Standard.

- Set the adjusting wheel to position **3, 4, 5, 6, 7, 8 or 9**.
 - ✓ Standard – homologated performance with balanced responsiveness
- Position the **Map-Select** switch in the holder.
- Push the **Map-Select** switch with the holder upward onto the retaining bracket.



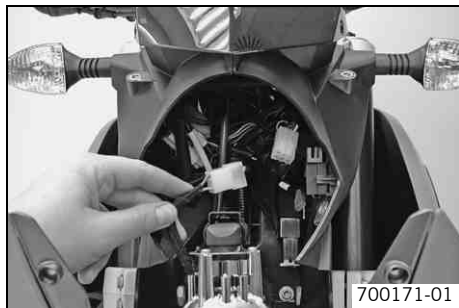
Removing headlight mask with headlight



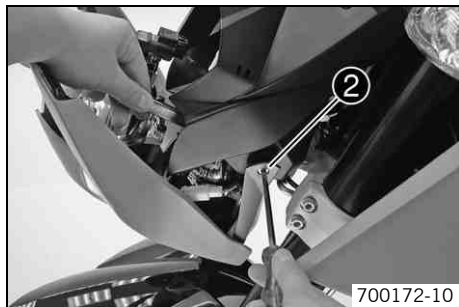
- Remove screws ❶.



- Swing the headlight mask forward.

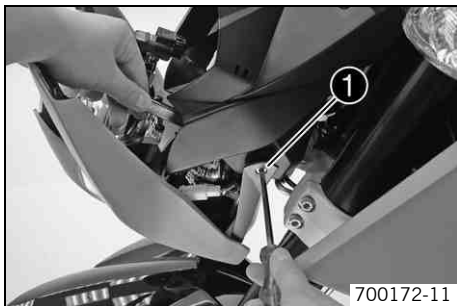


- Disconnect plug-in connector.



- Remove the screw fitting ② on both sides.
- Place the headlight mask to one side.

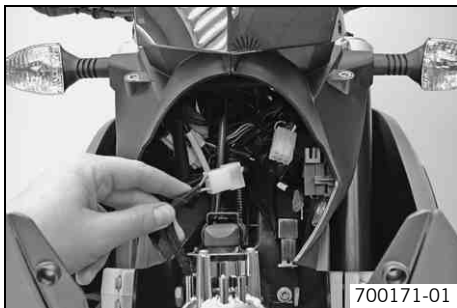
Installing the headlight mask with the headlight



- Position the headlight mask. Mount and tighten screws ❶ on both sides.

Guideline

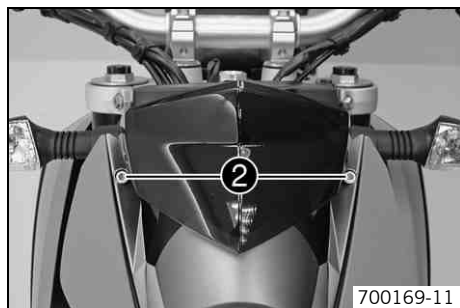
Screw, headlight mask	M6	5 Nm (3.7 lbf ft)
-----------------------	----	-------------------



- Connect the plug-in connector.



- Fold the headlight mask up.



- Position the headlight mask. Mount and tighten screws ②.

Guideline

Screw, headlight mask	M6	5 Nm (3.7 lbf ft)
-----------------------	----	-------------------

- Check the lighting function.

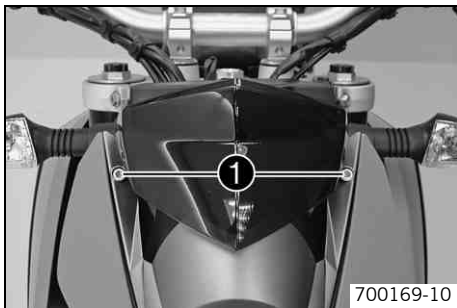
Changing the low beam bulb

Note

Damage to reflector Reduced luminance.

- Grease on the lamp will evaporate due to the heat and be deposited on the reflector. Clean the lamp and keep it free of grease before mounting.

- Switch off all power consumers and switch off the engine.



- Remove screws ❶.



- Fold the headlight mask forward.



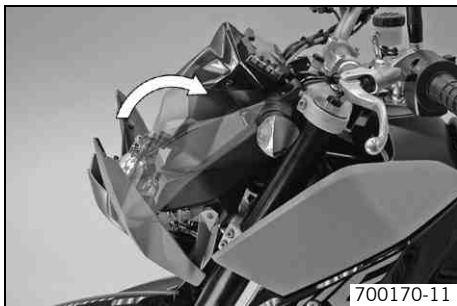
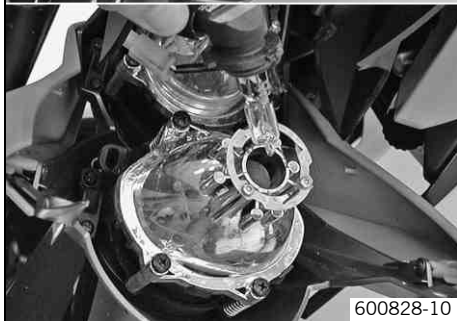
- Turn headlight lamp ② counterclockwise and remove it. Detach the connector.
- Position the new headlight bulb in the headlight housing. Connect the connector.

Low beam/high beam (HB3 / socket P20d) (☛ p. 161)

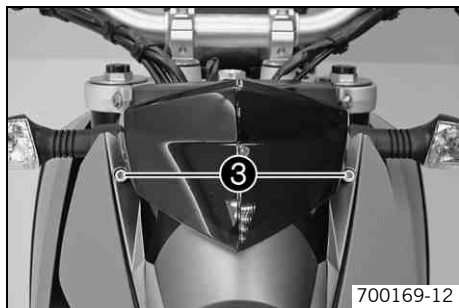


Info

Insert the headlight bulb so that the bayonet lugs latch into the slots.



- Fold the headlight mask up.



- Position the headlight mask. Mount and tighten screws ③.

Guideline

Screw, headlight mask	M6	5 Nm (3.7 lbf ft)
-----------------------	----	-------------------

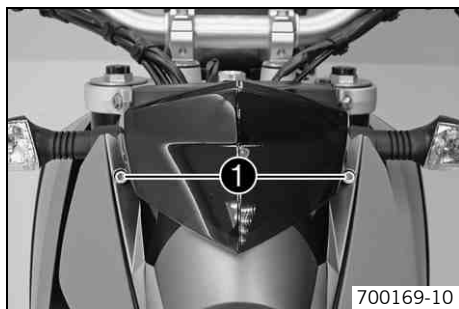
- Check lighting function.

Change the high beam bulb

Note

Damage to reflector Reduced luminance.

- Grease on the lamp will evaporate due to the heat and be deposited on the reflector. Clean the lamp and keep it free of grease before mounting.



- Switch off all power consumers and switch off the engine.
- Remove screws ①.



- Fold the headlight mask forward.



- Turn headlight lamp ② counterclockwise and remove it. Detach the connector.
- Position the new headlight bulb in the headlight housing. Connect the connector.

Low beam/high beam (HB3 / socket P20d) (☛ p. 161)



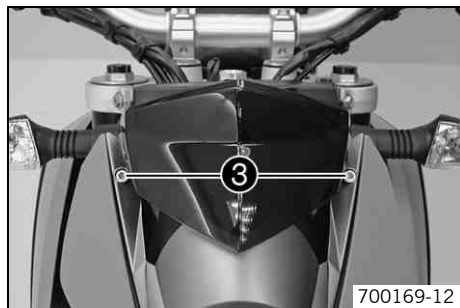
Info

Insert the headlight bulb so that the bayonet lugs latch into the slots.





- Fold the headlight mask up.



- Position the headlight mask. Mount and tighten screws ③.

Guideline

Screw, headlight mask	M6	5 Nm (3.7 lbf ft)
-----------------------	----	-------------------

- Check lighting function.

Changing the parking light bulb

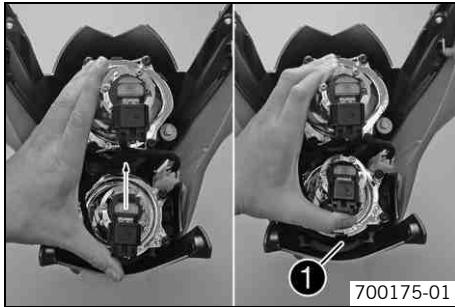
Note

Damage to reflector Reduced luminance.

- Grease on the lamp will evaporate due to the heat and be deposited on the reflector. Clean the lamp and keep it free of grease before mounting.

- Switch off all power consumers and switch off the engine.

- Remove the headlight mask with the headlight. (☞ p. 108)
- Set down the headlight mask in front of you as shown in the illustration and carefully tilt the high beam headlight in the direction of the low beam headlight.
- Turn the bulb holder ❶ about 30° counterclockwise and remove it.



- Pull the parking light bulb out of the holder.
- Insert a new parking light bulb in the holder.

Parking light (W5W / socket W2,1x9,5d) (☞ p. 161)

- Position the bulb holder and turn it clockwise as far as it will go.
- Install the headlight mask with the headlight. (☞ p. 110)



Changing the turn signal bulb

Note

Damage to reflector Reduced luminance.

- Grease on the lamp will evaporate due to the heat and be deposited on the reflector. Clean the lamp and keep it free of grease before mounting.



- Remove the screw on the rear of the turn signal housing.
- Tilt headlamp diffuser **1** forward carefully and take it off.
- Press the turn signal bulb carefully into the socket, turn it counterclockwise by about 30°, and take it out of the socket.



Info

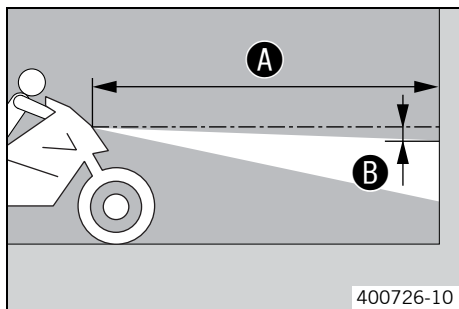
Do not touch the reflector with your fingers, and keep it free from grease.

- Press the new turn signal bulb carefully into the socket and turn it clockwise until it stops.

Turn signal (RY10W / socket BAU15s) (☞ p. 161)
--

- Position the diffuser.
- Insert the screw and turn it counterclockwise first until it engages in the thread. Tighten the screw slightly.
- Check that the turn signal system is functioning properly.

Checking the low beam headlight adjustment



- Stand the vehicle upright on a horizontal surface in front of a light wall and make a mark at the height of the center of the low beam headlight.
- Make another mark at a distance **B** under the first mark.

Guideline

Distance B	5 cm (2 in)
-------------------	-------------

- Position the vehicle vertically at a distance **A** in front of the wall and switch on the low beam.

Guideline

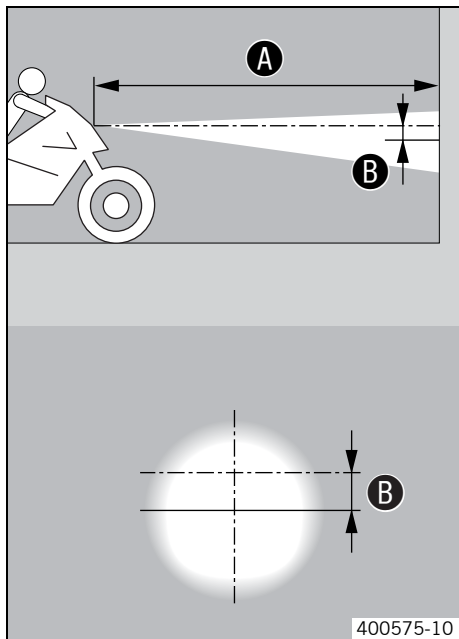
Distance A	5 m (16 ft)
-------------------	-------------

- Check the low beam headlight adjustment.

The boundary between light and dark must be exactly on the lower mark for a motorcycle with driver.

- » If the boundary between light and dark does not meet specifications:
 - Adjust the light range of the low beam headlight. (☛ p. 120)

Checking the high beam headlight adjustment



- Stand the vehicle upright on a horizontal surface in front of a light wall and make a mark at the height of the center of the high beam headlight.
- Make another mark at a distance **B** under the first mark.

Guideline

Distance B	5 cm (2 in)
-------------------	-------------

- Position the vehicle vertically at a distance **A** in front of the wall and switch on the high beam.

Guideline

Distance A	5 m (16 ft)
-------------------	-------------

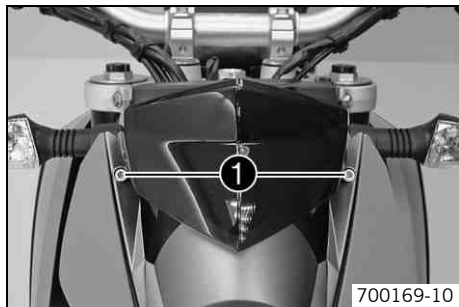
- Check the high beam headlight adjustment.

The center of the light cone must be exactly at the lower mark when the motorcycle is operational and complete with a rider.

- » If the center of the light cone is not located where specified:
 - Adjust the light range of the high beam headlight. (☛ p. 121)

Adjusting the light range of the low beam headlight

- Check the low beam headlight adjustment. (☞ p. 118)
- Remove screws ❶.
- Fold the headlight mask forward.



- Adjust the beam distance of the headlight by turning screw ❷.

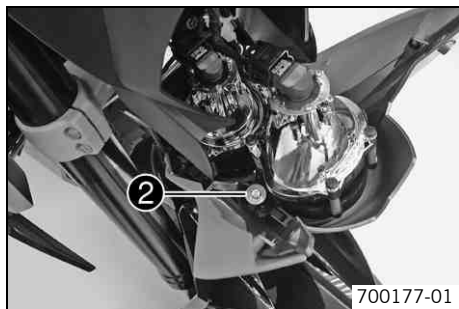
Guideline

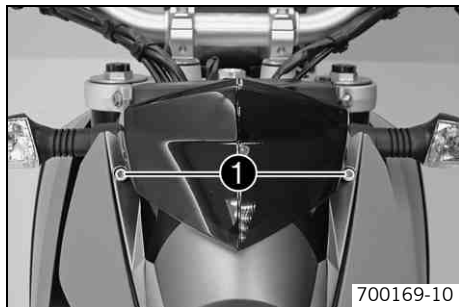
For a motorcycle with rider, the light/dark boundary must be exactly on the lower mark (the mark is created in: Checking headlight adjustment).

i Info

Turn clockwise to increase the headlight range; turn counterclockwise to reduce the headlight range.

If you have a heavy payload, you will need to correct the headlight range.



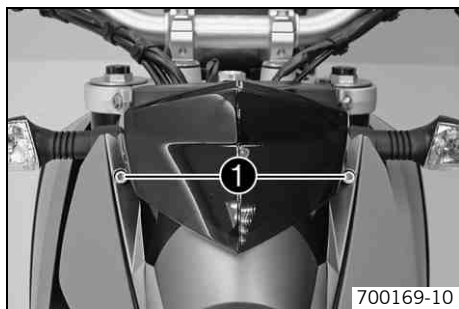


- Fold the headlight mask up.
- Position the headlight mask. Mount and tighten screws ❶.

Guideline

Screw, headlight mask	M6	5 Nm (3.7 lbf ft)
-----------------------	----	-------------------

Adjusting the light range of the high beam headlight



- Check the high beam headlight adjustment. (🔧 p. 119)
- Remove screws ❶.
- Fold the headlight mask forward.



- Adjust the beam distance of the headlight by turning screw ②.

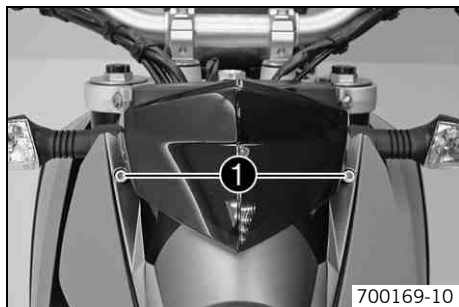
Guideline

For a motorcycle with rider, the center of the light cone must be exactly on the lower mark (the mark is created in: Checking headlight adjustment).

i Info

Turn clockwise to increase the headlight range; turn counterclockwise to reduce the headlight range.

If you have a heavy payload, you will need to correct the headlight range.

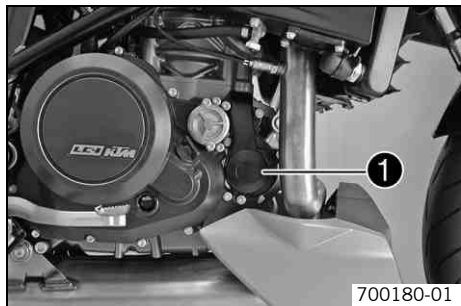


- Fold the headlight mask up.
- Position the headlight mask. Mount and tighten screws ①.

Guideline

Screw, headlight mask	M6	5 Nm (3.7 lbf ft)
-----------------------	----	-------------------

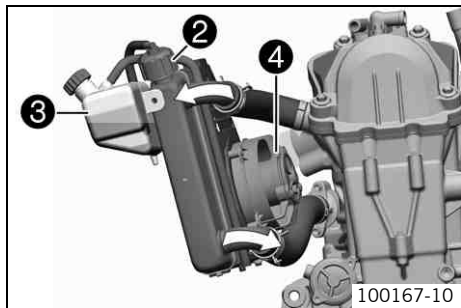
Cooling system



The water pump ❶ in the engine forces the coolant to flow.

The pressure in the cooling system resulting from heat is regulated by a valve in the radiator cap ❷. The heat expansion causes the surplus coolant to flow into the compensating tank ❸. When the temperature falls, this surplus coolant is sucked back into the cooling system. This permits the specified coolant temperature without causing any malfunctions.

125 °C (257 °F)



Cooling takes place by means of the air stream and a radiator fan ❹, which is controlled by a thermostitch.

The lower the speed, the less the cooling effect. Dirty cooling fins also reduce the cooling effect.

Checking the antifreeze and coolant level



Warning

Danger of scalding During motorcycle operation, the coolant gets very hot and is under pressure.

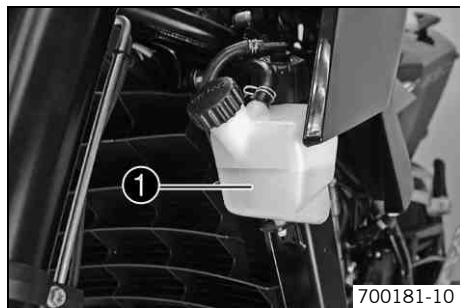
- Do not remove the radiator cap, radiator hoses or other cooling system components when the engine is hot. Allow the engine and cooling system to cool down. In case of scalding, rinse immediately with lukewarm water.



Warning

Danger of poisoning Coolant is poisonous and a health hazard.

- Avoid contact between coolant and skin, eyes and clothing. If it gets into your eyes, rinse immediately with water and contact a doctor. Wash affected skin areas immediately with soap and water. If coolant is swallowed, contact a doctor immediately. Change clothes that have come into contact with coolants. Keep coolant out of the reach of children.



- Remove the seat. (☞ p. 93)
- Reinstall the fuel tank. (☞ p. 94)

Condition

The engine is cold.

- Stand the motorcycle upright on a horizontal surface.
- Remove the cap of the compensating tank ❶.
- Check the coolant antifreeze.

-25... -45 °C (-13... -49 °F)

- » If the coolant antifreeze does not meet specifications:
 - Correct the coolant antifreeze.

- Check the coolant level in the compensating tank.

The coolant level must be between **MIN** and **MAX**.

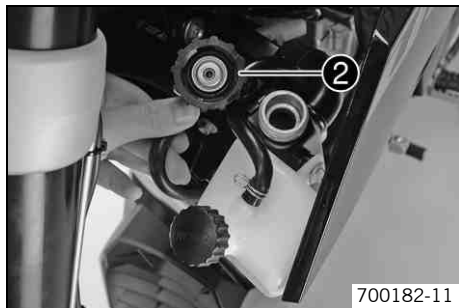
- » If the coolant level does not meet specifications:
 - Correct the coolant level.

Alternative 1

Coolant (☞ p. 170)

Alternative 2

Coolant (mixed ready to use) (☞ p. 170)



- Mount the cap of the compensating tank.
- Screw off radiator cap ②.
- Check the coolant antifreeze.

-25... -45 °C (-13... -49 °F)

- » If the coolant antifreeze does not meet specifications:
 - Correct the coolant antifreeze.
- Check the coolant level in the radiator.

The radiator must be completely filled.

- » If the coolant level does not meet specifications:
 - Correct the coolant level and find out the cause of the loss.

Alternative 1

Coolant (☞ p. 170)

Alternative 2

Coolant (mixed ready to use) (☞ p. 170)

- » If you had to add more coolant than the specified amount:
 - > 0.50 l (> 0.53 qt.)
 - Fill/bleed the cooling system. ☞ (☞ p. 128)
- Mount the radiator cap.
- Position the fuel tank. (☞ p. 95)
- Mount the seat. (☞ p. 94)

Checking the coolant level



Warning

Danger of scalding During motorcycle operation, the coolant gets very hot and is under pressure.

- Do not remove the radiator cap, radiator hoses or other cooling system components when the engine is hot. Allow the engine and cooling system to cool down. In case of scalding, rinse immediately with lukewarm water.



Warning

Danger of poisoning Coolant is poisonous and a health hazard.

- Avoid contact between coolant and skin, eyes and clothing. If it gets into your eyes, rinse immediately with water and contact a doctor. Wash affected skin areas immediately with soap and water. If coolant is swallowed, contact a doctor immediately. Change clothes that have come into contact with coolants. Keep coolant out of the reach of children.

- Remove the seat. (☞ p. 93)
- Reinstall the fuel tank. (☞ p. 94)

Condition

The engine is cold.

- Stand the motorcycle upright on a horizontal surface.
- Check the coolant level in the compensating tank ❶.

The coolant level must be between **MIN** and **MAX**.

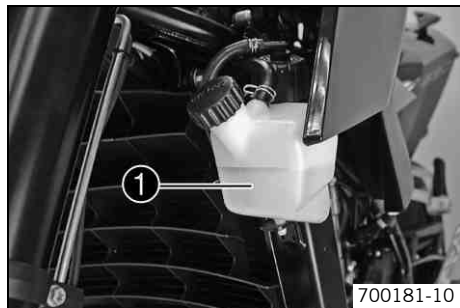
- » If the coolant level does not meet specifications:
 - Correct the coolant level.

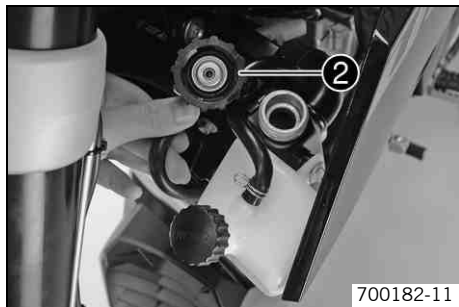
Alternative 1

Coolant (☞ p. 170)

Alternative 2

Coolant (mixed ready to use) (☞ p. 170)





- Screw off radiator cap ② and check the coolant level in the radiator.

The radiator must be completely filled.

- » If the coolant level does not meet specifications:
 - Correct the coolant level and find out the cause of the loss.

Alternative 1

Coolant (☞ p. 170)

Alternative 2

Coolant (mixed ready to use) (☞ p. 170)

- » If you had to add more coolant than the specified amount:
 - > 0.50 l (> 0.53 qt.)
 - Fill/bleed the cooling system. ☞ (☞ p. 128)
 - Mount the radiator cap.
- Position the fuel tank. (☞ p. 95)
- Mount the seat. (☞ p. 94)

Draining the coolant ☞



Warning

Danger of scalding During motorcycle operation, the coolant gets very hot and is under pressure.

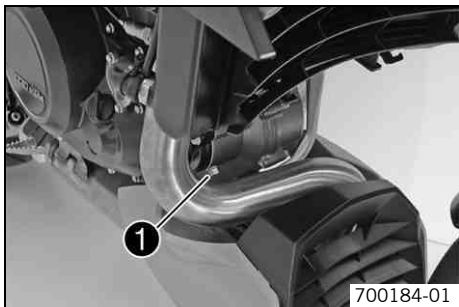
- Do not remove the radiator cap, radiator hoses or other cooling system components when the engine is hot. Allow the engine and cooling system to cool down. In case of scalding, rinse immediately with lukewarm water.



Warning

Danger of poisoning Coolant is poisonous and a health hazard.

- Avoid contact between coolant and skin, eyes and clothing. If it gets into your eyes, rinse immediately with water and contact a doctor. Wash affected skin areas immediately with soap and water. If coolant is swallowed, contact a doctor immediately. Change clothes that have come into contact with coolants. Keep coolant out of the reach of children.



- Remove the seat. (☛ p. 93)
- Reinstall the fuel tank. (☛ p. 94)
- Stand the motorcycle upright.
- Place a suitable container under the engine.
- Remove screw ❶. Remove the radiator cap.
- Completely drain the coolant.
- Mount screw ❶ with a new seal ring and tighten it.

Guideline

Plug, drain hole of water pump	M10x1	15 Nm (11.1 lbf ft)
--------------------------------	-------	------------------------

Filling/bleeding the cooling system ☞



Warning

Danger of poisoning Coolant is poisonous and a health hazard.

- Avoid contact between coolant and skin, eyes and clothing. If it gets into your eyes, rinse immediately with water and contact a doctor. Wash affected skin areas immediately with soap and water. If coolant is swallowed, contact a doctor immediately. Change clothes that have come into contact with coolants. Keep coolant out of the reach of children.

Condition

Fuel tank is reset or removed.

- Remove radiator cap ❶.



- Remove bleeder screw ❷.
- Tilt the vehicle slightly to the right.
- Pour in coolant until it emerges without bubbles at the vent hole, and then mount and tighten the bleeder screw immediately.

Alternative 1

Coolant (☛ p. 170)

Alternative 2

Coolant (mixed ready to use) (☛ p. 170)

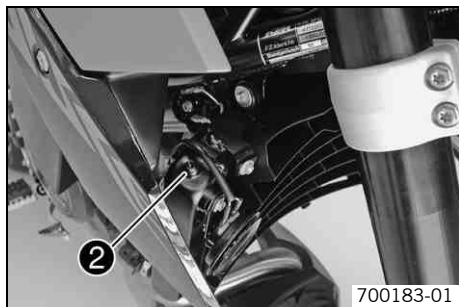
- Fill the radiator completely with coolant. Mount the radiator cap.
- Rest the vehicle on the sidestand.

Fuel tank is reset.

- Move the fuel tank forward.

The fuel tank is removed.

- Connect and position the fuel tank.





Danger

Danger of poisoning Exhaust gases are poisonous and inhaling them may result in unconsciousness and/or death.

- When running the engine, always make sure there is sufficient ventilation, and do not start or run the engine in an enclosed space without an effective exhaust extraction system.

- Start the engine and run it until the 5th bar of the temperature indicator lights up.
- Stop the engine and allow it to cool down.
- When the engine is cool, check the coolant level in the radiator and, if necessary, add coolant.
- Remove the cap of the compensating tank ③ and add coolant until the coolant level is up to the **MAX** mark.
- Mount the cap of the compensating tank.

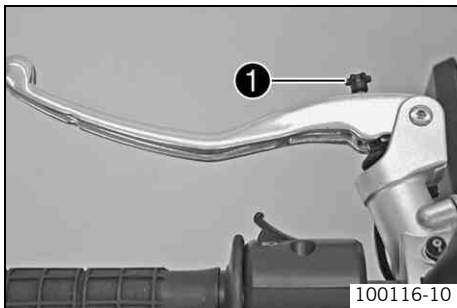


Adjusting basic position of clutch lever



Info

Turn the adjusting screw clockwise to increase the distance between the clutch lever and the handlebar.
Turn the adjusting screw counterclockwise to decrease the distance between the clutch lever and the handlebar.
The range of adjustment is limited.
Turn the adjusting screw by hand only, and do not apply any force.
Do not make any adjustments while riding!

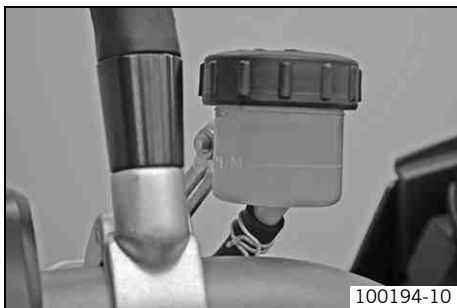


- Adjust the basic setting of the clutch lever to your hand size by turning adjusting screw ❶.

Checking/rectifying the fluid level of the hydraulic clutch

i Info

The fluid level rises with increasing wear of the clutch lining disc.
Do not use brake fluid.



- Move the clutch fluid reservoir mounted on the handlebar to a horizontal position.
- Check the fluid level.

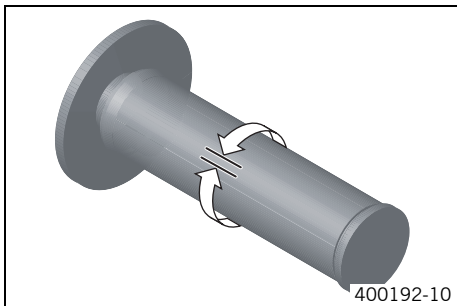
The fluid level must be between **MIN** and **MAX**.

- » If the level of the coolant does not meet specifications:
 - Remove the screw cap with the membrane.
 - Correct the fluid level of the hydraulic clutch.

Hydraulic fluid (15) (☛ p. 172)

- Mount the screw cap with the membrane.

Checking the play in the throttle cable



- Move the handlebar to the straight-ahead position. Move the throttle grip backwards and forwards to ascertain the play in the throttle cable.

Throttle cable play	3... 5 mm (0.12... 0.2 in)
---------------------	----------------------------

- » If the throttle cable play does not meet specifications:
 - Adjust the play in the throttle cable. 🛠️ (📖 p. 133)



Danger

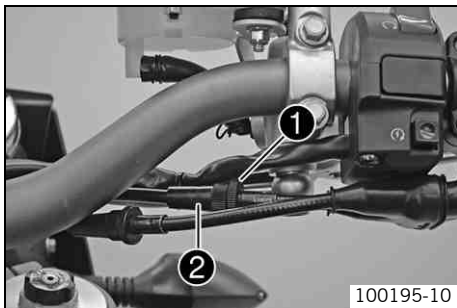
Danger of poisoning Exhaust gases are poisonous and inhaling them may result in unconsciousness and/or death.

- When running the engine, always make sure there is sufficient ventilation, and do not start or run the engine in an enclosed space without an effective exhaust extraction system.
-
- Start the engine and let it run idle. Move the handlebar to and fro over the entire steering range.

The idle speed must not change.

- » If the idle speed changes:
 - Adjust the play in the throttle cable. 🛠️ (📖 p. 133)

Adjusting the play in the throttle cable



100195-10

- Move the handlebar to the straight-ahead position.
- Use the KTM diagnostics tool to set the motor drive to the basic position.
- Loosen counter nut ❶.
- Set the play in the throttle cable by turning the adjusting screw ❷.

Guideline

Throttle cable play	3... 5 mm (0.12... 0.2 in)
---------------------	----------------------------

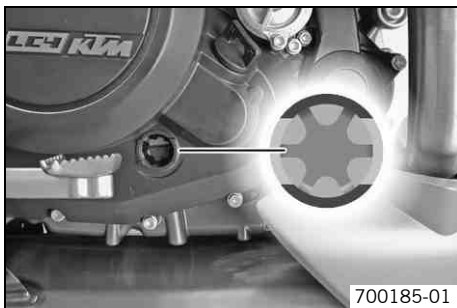
- Tighten counter nut ❶.

Checking the engine oil level



Info

The engine oil level must be checked when the engine is warm.



700185-01

- Stand the motorcycle upright on a horizontal surface.

Condition

The engine is at operating temperature.

- Check the engine oil level.



Info











After switching off the engine, wait one minute before checking the level.

The engine oil must be between the lower and upper edge of the oil level viewer.
--

- » If the engine oil level is not at the specified level:
 - Add the engine oil. (🔧 p. 140)

Changing the engine oil and filter, cleaning the oil screens



- Drain the engine oil.  ( p. 134)
- Remove the oil filter.  ( p. 135)
- Clean the oil screens.  ( p. 137)
- Install the oil filter.  ( p. 137)
- Fill up with engine oil.  ( p. 139)

Draining the engine oil



Warning

Danger of scalding Engine oil and gear oil get very hot when the motorcycle is ridden.

- Wear appropriate protective clothing and safety gloves. In case of burns, rinse immediately with lukewarm water.



Warning

Environmental hazard Hazardous substances cause environmental damage.

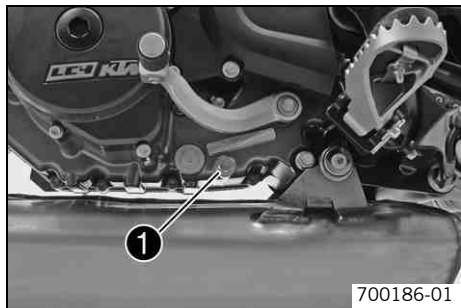
- Oil, grease, filters, fuel, cleaners, brake fluid, etc., should be disposed of as stipulated in applicable regulations.



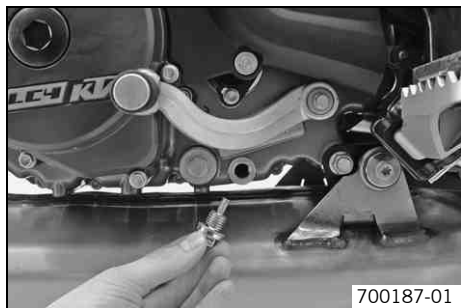
Info

Drain the engine oil only when the engine is warm.

- Stand the motorcycle on its side stand on a horizontal surface.



- Place a suitable container under the engine.
- Remove the oil drain plug ❶ with the magnet and seal ring.
- Completely drain the engine oil.



- Thoroughly clean the oil drain plug with a magnet.
- Mount the oil drain plug with the magnet and seal ring and tighten it.

Guideline

Oil drain plug with magnet	M12x1.5	20 Nm (14.8 lbf ft)
----------------------------	---------	------------------------

Removing the oil filter 🛠



Warning

Danger of scalding Engine oil and gear oil get very hot when the motorcycle is ridden.

- Wear appropriate protective clothing and safety gloves. In case of burns, rinse immediately with lukewarm water.



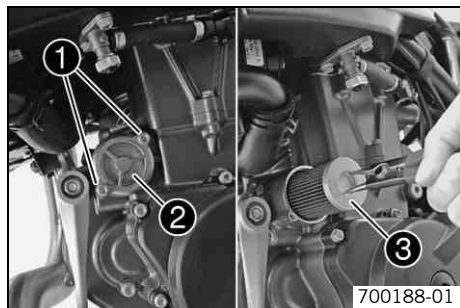
Warning

Environmental hazard Hazardous substances cause environmental damage.

- Oil, grease, filters, fuel, cleaners, brake fluid, etc., should be disposed of as stipulated in applicable regulations.

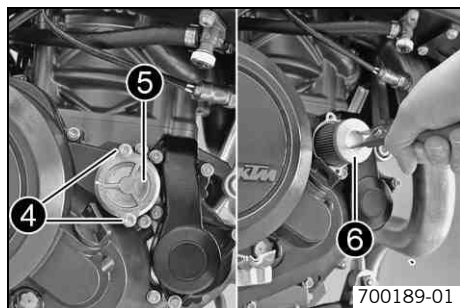
- Place a suitable container under the engine.
- Remove screws ❶. Remove the oil filter cover ❷ with the O-ring.
- Pull oil filter ❸ out of the oil filter housing.

Circlip pliers reverse (51012011000)



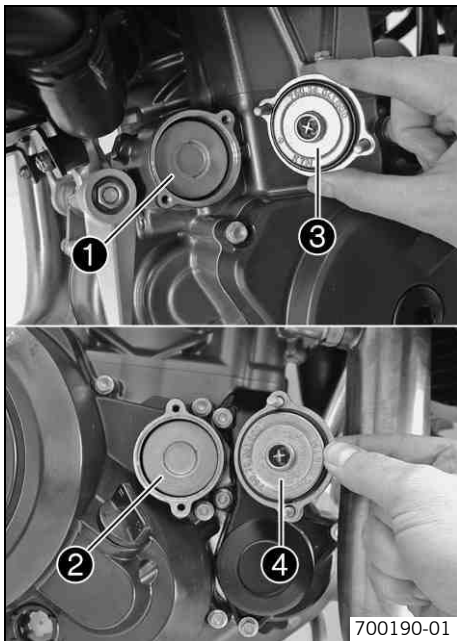
- Remove screws ❹. Remove oil filter ❺ with the O-ring.
- Pull oil filter ❻ out of the oil filter housing.

Circlip pliers reverse (51012011000)



- Completely drain the engine oil.
- Thoroughly clean the parts and sealing area.

Installing the oil filter



- Insert oil filters ❶ and ❷.
- Oil the O-rings of the oil filter covers. Mount oil filter covers ❸ and ❹.
- Mount and tighten the screws.

Guideline

Screw, oil filter cover	M5	6 Nm (4.4 lbf ft)
-------------------------	----	-------------------

Cleaning the oil screens



Warning

Danger of scalding Engine oil and gear oil get very hot when the motorcycle is ridden.

- Wear appropriate protective clothing and safety gloves. In case of burns, rinse immediately with lukewarm water.

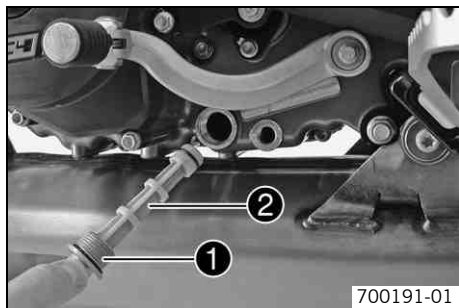


Warning

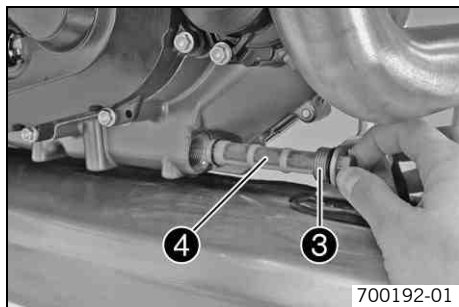
Environmental hazard Hazardous substances cause environmental damage.

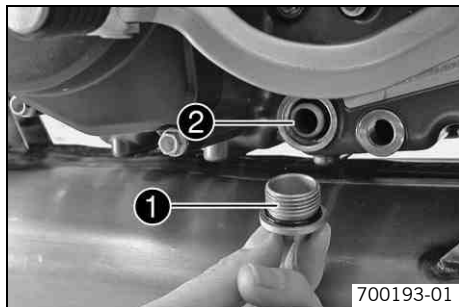
- Oil, grease, filters, fuel, cleaners, brake fluid, etc., should be disposed of as stipulated in applicable regulations.

- Place a suitable container under the engine.
- Remove plug **1** with oil screen **2** and the O-rings.



- Remove plug **3** with oil screen **4** and the O-rings.
- Completely drain the remaining engine oil.
- Thoroughly clean the parts and sealing area.

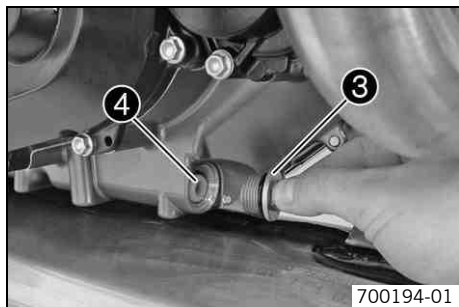




- Position oil screen ② with the O-rings.
- Mount and tighten plug ① with the O-ring.

Guideline

Plug, oil screen	M20x1.5	15 Nm (11.1 lbf ft)
------------------	---------	------------------------



- Position oil screen ④ with the O-rings.
- Mount and tighten plug ③ with the O-ring.

Guideline

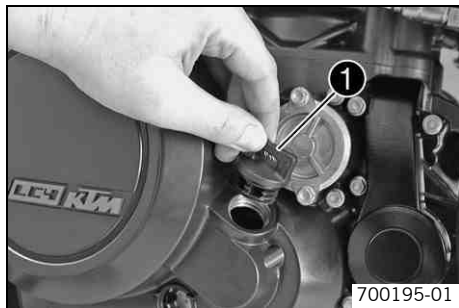
Plug, oil screen	M20x1.5	15 Nm (11.1 lbf ft)
------------------	---------	------------------------

Refilling with engine oil



Info

Too little engine oil or poor-quality engine oil results in premature wear to the engine.



- Remove the oil filler plug with O-ring ❶ from the clutch cover and fill up with engine oil.

Engine oil	1.70 l (1.8 qt.)	Engine oil (SAE 10W/60) (00062010035) (☛ p. 171)	
		Alternative engine oil	Engine oil (SAE 10W/50) (☛ p. 171)

- Install and tighten the oil filler plug with O-ring ❶.



Danger

Danger of poisoning Exhaust gases are poisonous and inhaling them may result in unconsciousness and/or death.

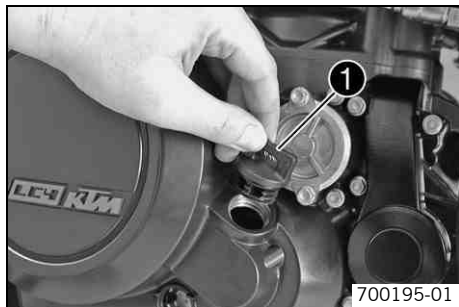
- When running the engine, always make sure there is sufficient ventilation, and do not start or run the engine in an enclosed space without an effective exhaust extraction system.
-
- Start the engine and check that it is oil-tight.
 - Check the engine oil level. (☛ p. 133)

Adding engine oil



Info

Too little engine oil or poor-quality engine oil results in premature wear to the engine.



- Remove the oil filler plug with O-ring ❶ from the clutch cover and fill up with engine oil.

Engine oil (SAE 10W/60) (00062010035) (☞ p. 171)
--

Engine oil (SAE 10W/50) (☞ p. 171)

Info

For optimal performance of the engine oil, do not mix different types of engine oil.

If appropriate, change the engine oil.

- Install and tighten the oil filler plug with O-ring ❶.

Danger






Danger of poisoning Exhaust gases are poisonous and inhaling them may result in unconsciousness and/or death.






- When running the engine, always make sure there is sufficient ventilation, and do not start or run the engine in an enclosed space without an effective exhaust extraction system.
-
- Start the engine and check that it is oil-tight.
 - Check the engine oil level. (☞ p. 133)






Faults	Possible cause	Action
The engine does not turn when the starter button is pressed	Operating error	– Carry out the start procedure. (☞ p. 49)
	Battery is discharged	– Recharge the battery. 🛠️ (☞ p. 100)
	Fuse 1, 2, 3 or 4 is blown	– Change the fuses of individual power consumers. (☞ p. 104)
	Main fuse burned out	– Change the main fuse. (☞ p. 102)
	No ground connection present.	– Check the ground connection.
Engine turns only if the clutch lever is drawn	The vehicle is in gear	– Shift gear to neutral.
	The vehicle is in gear and the side stand is folded out	– Shift gear to neutral.
Engine turns but does not start.	Operating error	– Carry out the start procedure. (☞ p. 49)
	Fuse 4 blown	– Change the fuses of individual power consumers. (☞ p. 104)
	Coupling of fuel hose connection not connected	– Reconnect coupling of fuel hose connection.
	Socket connector of wiring harness is oxidized	– Clean the socket connector and treat it with contact spray.
	Defect in fuel injection system	– Read out the fault memory using the KTM diagnostics tool. 🛠️
Engine has too little power.	Air filter is very dirty	– Remove the air filter. 🛠️ – Install the air filter. 🛠️
	Fuel filter is very dirty	– Check the fuel pressure. 🛠️
	Defect in fuel injection system	– Read out the fault memory using the KTM diagnostics tool. 🛠️
Engine overheats.	Too little coolant in cooling system	– Check the cooling system for leakage. – Check the coolant level. (☞ p. 126)






Faults	Possible cause	Action
Engine overheats.	Radiator fins very dirty	– Clean radiator fins.
	Foam formation in cooling system	– Drain the coolant. 🛠️ (📖 p. 127) – Fill/bleed the cooling system. 🛠️ (📖 p. 128)
	Buckled or damaged radiator hose	– Change the radiator hose. 🛠️
	Thermostat is faulty	– Check the thermostat. 🛠️
	Fuse 5 blown	– Change the fuses of individual power consumers. (📖 p. 104)
	Defect in radiator fan system	– Check the radiator fan system. 🛠️
	Air in cooling system	– Fill/bleed the cooling system. 🛠️ (📖 p. 128)
FI warning lamp (MIL) lights/flashes	Defect in fuel injection system	– Read out the fault memory using the KTM diagnostics tool. 🛠️
Engine dies during the journey	Lack of fuel	– Refuel. (📖 p. 56)
	Fuse 1 , 2 or 4 blown	– Change the fuses of individual power consumers. (📖 p. 104)
High oil consumption	Engine vent hose bent	– Route the vent hose without bends or change it if necessary.
	Engine oil level too high	– Check the engine oil level. (📖 p. 133)
	Engine oil too thin (low viscosity)	– Change the engine oil and filter, clean the oil screens. 🛠️ (📖 p. 134)
Headlight and parking light not functioning	Fuse 7 blown	– Change the fuses of individual power consumers. (📖 p. 104)
Turn signal, brake light and horn not functioning	Fuse 6 blown	– Change the fuses of individual power consumers. (📖 p. 104)



Faults	Possible cause	Action
Time is not (correctly) displayed	Fuse 2 blown	<ul style="list-style-type: none"> – Change the fuses of individual power consumers. (☛ p. 104) – Set the clock. (☛ p. 34)
Battery discharged	Ignition not switched off when vehicle was parked	<ul style="list-style-type: none"> – Recharge the battery. 🛠️ (☛ p. 100)
	Battery is not charged by alternator	<ul style="list-style-type: none"> – Check the charging voltage. 🛠️ – Check the quiescent current. 🛠️
Combination instrument shows nothing in the display	Fuse 1 blown	<ul style="list-style-type: none"> – Change the fuses of individual power consumers. (☛ p. 104)
Speedometer in combination instrument not functioning	Speedometer wiring harness is damaged or plug-in connection is oxidized	<ul style="list-style-type: none"> – Check the wiring harness and plug-in connection.

Blink code FI of warning lamp (MIL)	 02 FI warning lamp (MIL) flashes briefly 2x
Error level condition	Crankshaft position sensor - circuit fault
Blink code FI of warning lamp (MIL)	 06 FI warning lamp (MIL) flashes briefly 6x
Error level condition	Throttle position sensor circuit A - input signal too low
	Throttle position sensor circuit A - input signal too high
Blink code FI of warning lamp (MIL)	 08 FI warning lamp (MIL) flashes briefly 8x
Error level condition	Accelerator position sensor - input signal too low
	Accelerator position sensor - input signal too high
Blink code FI of warning lamp (MIL)	 09 FI warning lamp (MIL) flashes briefly 9x
Error level condition	Manifold absolute pressure sensor cylinder 1 - Input signal too low
	Manifold absolute pressure sensor cylinder 1 - input signal too high
Blink code FI of warning lamp (MIL)	 12 FI warning lamp (MIL) flashes 1x long, 2x short
Error level condition	Engine coolant temperature sensor - input signal too low
	Engine coolant temperature sensor - input signal too high

Blink code FI of warning lamp (MIL)	 <p>13 FI warning lamp (MIL) flashes 1x long, 3x short</p>
Error level condition	Intake air temperature sensor - Input signal too low
	Intake air temperature sensor - Input signal too high
Blink code FI of warning lamp (MIL)	 <p>14 FI warning lamp (MIL) flashes 1x long, 4x short</p>
Error level condition	Ambient air pressure sensor - input signal too low
	Ambient air pressure sensor - input signal too high
Blink code FI of warning lamp (MIL)	 <p>15 FI warning lamp (MIL) flashes 1x long, 5x short</p>
Error level condition	Rollover sensor - input signal too low
	Rollover sensor - input signal too high
Blink code FI of warning lamp (MIL)	 <p>17 FI warning lamp (MIL) flashes 1x long, 7x short</p>
Error level condition	Lambda sensor cylinder 1, sensor 1 - circuit fault
Blink code FI of warning lamp (MIL)	 <p>24 FI warning lamp (MIL) flashes 2x long, 4x short</p>
Error level condition	System voltage - circuit fault

Blink code FI of warning lamp (MIL)	 25 FI warning lamp (MIL) flashes 2x long, 5x short
Error level condition	Side stand switch - circuit fault
Blink code FI of warning lamp (MIL)	 26 FI warning lamp (MIL) flashes 2x long, 6x short
Error level condition	Motor drive hall sensor - circuit fault
Blink code FI of warning lamp (MIL)	 37 FI warning lamp (MIL) flashes 3x long, 7x short
Error level condition	Ignition coil cylinder 1 - circuit fault
Blink code FI of warning lamp (MIL)	 41 FI warning lamp (MIL) flashes 4x long, 1x short
Error level condition	Fuel pump relay - short circuit to ground or open circuit
Blink code FI of warning lamp (MIL)	 45 FI warning lamp (MIL) flashes 4x long, 5x short
Error level condition	Lambda sensor heater cylinder 1, sensor 1 - short circuit to ground or open circuit
	Lambda sensor heater cylinder 1, sensor 1 - input signal too high

Blink code FI of warning lamp (MIL)	 <p>53 FI warning lamp (MIL) flashes 5x long, 3x short</p>
Error level condition	Fuel evaporation valve - short circuit to ground or open circuit
	Fuel evaporation valve - input signal too high
Blink code FI of warning lamp (MIL)	 <p>54 FI warning lamp (MIL) flashes 5x long, 4x short</p>
Error level condition	Secondary air valve - short circuit to ground or open circuit
Blink code FI of warning lamp (MIL)	 <p>58 FI warning lamp (MIL) flashes 5x long, 8x short</p>
Error level condition	EPT motor drive relay permission - signal fault
Blink code FI of warning lamp (MIL)	 <p>60 FI warning lamp (MIL) flashes 6x long</p>
Error level condition	Motor drive - circuit fault
Blink code FI of warning lamp (MIL)	 <p>90 FI warning lamp (MIL) flashes 9x long</p>
Error level condition	Throttle position - circuit fault

Blink code FI of warning lamp (MIL)	 91 FI warning lamp (MIL) flashes 9x long, 1x short
Error level condition	CAN bus communication error
Blink code FI of warning lamp (MIL)	 92 FI warning lamp (MIL) flashes 9x long, 2x short
Error level condition	Motor drive voltage (internal) - circuit fault

Cleaning the motorcycle

Note

Material damage Damage and destruction of components by high-pressure cleaning equipment.

- Never clean the vehicle with high-pressure cleaning equipment or a strong water-jet. The excessive pressure can penetrate electrical components, socket connects, throttle cables, and bearings, etc., and can damage or destroy these parts.



Warning

Environmental hazard Hazardous substances cause environmental damage.

- Oil, grease, filters, fuel, cleaners, brake fluid, etc., should be disposed of as stipulated in applicable regulations.



Info

If you clean the motorcycle regularly, its value and appearance will be maintained over a long period.
Avoid direct sunshine on the motorcycle during cleaning.

- Seal the exhaust system to keep water out.
- First remove coarse dirt particles with a gentle spray of water.
- Spray very dirty areas with a normal motorcycle cleaner and then clean with a brush.

Motorcycle cleaner (☛ p. 175)



Info

Clean the vehicle using a soft sponge and warm water containing normal motorcycle cleaner.
If the vehicle was operated in road salt, clean it with cold water. Warm water enhances the corrosive effects of salt.

- After the motorcycle has been thoroughly cleaned with a gentle spray of water, it should be dried with compressed air and a cloth.



Warning

Danger of accidents Reduced braking efficiency due to wet or dirty brakes.

- Clean or dry dirty or wet brakes by riding and braking gently.

- After cleaning, ride the vehicle a short distance until the engine is warm, applying the brakes occasionally.



Info

The heat produced causes water at inaccessible locations in the engine and the brakes to evaporate.

- Push back the protection covers of the handlebar controls to allow any water that has penetrated to evaporate.
- After the motorcycle has cooled off, oil or grease all moving parts and bearings.
- Clean the chain. (🔧 p. 69)
- Treat bare metal parts (except for brake discs and exhaust system) with anti-corrosion materials.

Cleaning and preserving materials for metal, rubber and plastic (🔧 p. 174)

- Treat all painted parts with a mild paint polish.

High-luster polish for paint (🔧 p. 175)

- Treat all plastic parts and powder-coated parts with a mild cleaning and care agent.

Paint cleaner and polish for high-gloss and matte finishes, bare metal and plastic surfaces (🔧 p. 175)

- To prevent electrical problems, treat electric contacts and switches with contact spray.

Contact spray (🔧 p. 174)

- Oil the ignition/steering lock.

Universal oil spray (🔧 p. 176)

Protective treatment for winter operation

Info

If you use the motorcycle in winter, you must expect salt on the roads. You should therefore take precautions against aggressive road salt.

If the vehicle was operated in road salt, clean it with cold water. Warm water would enhance the corrosive effects of salt.

- Clean the motorcycle. (🔧 p. 150)
 - Treat the engine, the swingarm, and all other bare or galvanized parts (except brake discs) with a wax-based anti-corrosion substance.
-

Info

To prevent serious reduction of the braking efficiency, make sure no anti-corrosion substance gets on to the brake discs. After use on salted roads, clean the motorcycle thoroughly with cold water and dry it properly.

- Clean the chain. (🔧 p. 69)

Storage

Info

If you want to garage the motorcycle for a longer period, take the following actions.

Before storing the motorcycle, check all parts for function and wear. If service, repairs or replacements are necessary, you should do this during the storage period (less workshop overload). In this way, you can avoid long workshop waiting times at the start of the new season.

- Make sure the tank is as empty as possible so that you can fill up with fresh fuel when you put the motorcycle back into operation.
- Clean the motorcycle. (🔧 p. 150)
- Change the engine oil and filter, clean the oil screens. 🛠️ (🔧 p. 134)
- Check the antifreeze and coolant level. (🔧 p. 123)
- Check the tire pressure. (🔧 p. 92)
- Remove the battery. 🛠️ (🔧 p. 96)
- Recharge the battery. 🛠️ (🔧 p. 100)

Guideline

Storage temperature of battery without direct sunshine.	0... 35 °C (32... 95 °F)
---	--------------------------

- The storage place should be dry and not subject to large temperature differences.

Info

KTM recommends jacking up the motorcycle.

- Jack up the rear of the motorcycle. (🔧 p. 62)
- Jack up the front of the motorcycle. (🔧 p. 61)
- Cover the motorcycle with a porous sheet or blanket.



Info

Do not use non-porous materials since they prevent humidity from escaping, thus causing corrosion. Avoid running the engine for a short time only. Since the engine cannot warm up properly, the water vapor produced during combustion condenses and causes valves and exhaust system to rust.

Putting into operation after storage

- Take the front from the work stand. (🔧 p. 61)
- Take the rear from the work stand. (🔧 p. 62)
- Recharge the battery. 🔌 (🔧 p. 100)
- Install the battery. 🔌 (🔧 p. 98)
- Set the clock. (🔧 p. 34)
- Refuel. (🔧 p. 56)
- Carry out checks before putting into operation. (🔧 p. 48)
- Make a test ride.

Design	1-cylinder 4-stroke engine, water-cooled
Displacement	654 cm ³ (39.91 cu in)
Stroke	80 mm (3.15 in)
Bore	102 mm (4.02 in)
Compression ratio	11.8:1
Control	OHC, 4 valves controlled via rocker arm, chain drive
Valve diameter, intake	40 mm (1.57 in)
Valve diameter, exhaust	34 mm (1.34 in)
Valve play, cold	0.07... 0.13 mm (0.0028... 0.0051 in)
Crankshaft bearing	2 roller bearings
Conrod bearing	Needle bearing
Piston pin bearing	Bronze bush
Pistons	Forged light alloy
Piston rings	1 L-ring, 1 tapered compression piston ring, 1 oil scraper ring
Engine lubrication	Semi-dry sump lubrication with two rotor pumps
Primary transmission	36:79
Clutch	APTC™ Antihopping clutch in oil bath / hydraulically operated
Gearbox	6-gears, claw-shifted
Transmission ratio	
1st gear	14:35
2nd gear	16:28
3rd gear	21:28
4th gear	21:23
5th gear	23:22
6th gear	23:20

Mixture preparation	Electronic fuel injection
Ignition	Contactless controlled fully electronic ignition with digital ignition adjustment
Alternator	12 V, 224 W
Spark plug	NGK LKAR 8AI - 9
Spark plug electrode gap	0.9 mm (0.035 in)
Cooling	Water cooling, permanent circulation of coolant by water pump
Starting aid	Electric starter, automatic decompressor

Capacity - engine oil

Engine oil	1.70 l (1.8 qt.)	Engine oil (SAE 10W/60) (00062010035) (☛ p. 171)	
		Alternative engine oil	Engine oil (SAE 10W/50) (☛ p. 171)

Capacity - coolant

Coolant	1.20 l (1.27 qt.)	Coolant (☛ p. 170)
		Coolant (mixed ready to use) (☛ p. 170)

TECHNICAL DATA - ENGINE TIGHTENING TORQUES

Oil hole plug	self-tapping	9 Nm (6.6 lbf ft)	Loctite® 243™
Screw, membrane fixation	M3	2.5 Nm (1.84 lbf ft)	Loctite® 243™
Hose clamp, intake flange	M4	1.5 Nm (1.11 lbf ft)	–
Oil jet, conrod lubrication	M4	2 Nm (1.5 lbf ft)	Loctite® 243™
Locking screw for bearing	M5	6 Nm (4.4 lbf ft)	Loctite® 243™
Screw, breather cover on valve cover	M5	3 Nm (2.2 lbf ft)	Loctite® 243™
Screw, clutch spring	M5	6 Nm (4.4 lbf ft)	–
Screw, cover plate for oil return line	M5	6 Nm (4.4 lbf ft)	–
Screw, gear sensor	M5	5 Nm (3.7 lbf ft)	Loctite® 243™
Screw, oil filter cover	M5	6 Nm (4.4 lbf ft)	–
Screw, oil pump cover	M5	6 Nm (4.4 lbf ft)	Loctite® 243™
Plug, vacuum connection	M6	10 Nm (7.4 lbf ft)	Loctite® 243™
Screw in alternator cover	M6	10 Nm (7.4 lbf ft)	–
Screw, alternator cover (chain shaft through-hole)	M6	10 Nm (7.4 lbf ft)	Loctite® 243™
Screw, autodecompression	M6	3... 4 Nm (2.2... 3 lbf ft)	Loctite® 243™
Screw, axial lock of camshaft	M6	10 Nm (7.4 lbf ft)	Loctite® 243™
Screw, clutch cover	M6	10 Nm (7.4 lbf ft)	–
Screw, clutch slave cylinder	M6x20	10 Nm (7.4 lbf ft)	Loctite® 243™
Screw, clutch slave cylinder	M6x35	10 Nm (7.4 lbf ft)	–
Screw, cylinder	M6	10 Nm (7.4 lbf ft)	Loctite® 243™
Screw, cylinder head	M6	10 Nm (7.4 lbf ft)	Loctite® 243™
Screw, engine case	M6	10 Nm (7.4 lbf ft)	–
Screw, ignition pulse generator	M6	10 Nm (7.4 lbf ft)	Loctite® 243™

TECHNICAL DATA - ENGINE TIGHTENING TORQUES

Screw, locking lever	M6	10 Nm (7.4 lbf ft)	Loctite® 243™
Screw, rocker arm shaft	M6	12 Nm (8.9 lbf ft)	–
Screw, shift drum locating	M6	10 Nm (7.4 lbf ft)	Loctite® 243™
Screw, shift lever	M6	10 Nm (7.4 lbf ft)	Loctite® 222
Screw, starter motor	M6	10 Nm (7.4 lbf ft)	Loctite® 243™
Screw, stator bracket	M6	10 Nm (7.4 lbf ft)	Loctite® 243™
Screw, thermostat housing	M6	10 Nm (7.4 lbf ft)	Loctite® 243™
Screw, timing chain guide rail	M6	10 Nm (7.4 lbf ft)	Loctite® 243™
Screw, timing chain tensioning rail	M6	10 Nm (7.4 lbf ft)	Loctite® 243™
Screw, valve cover	M6	10 Nm (7.4 lbf ft)	–
Screw, water pump cover	M6	10 Nm (7.4 lbf ft)	–
Screw, water pump wheel	M6	10 Nm (7.4 lbf ft)	Loctite® 243™
Oil jet, piston cooling	M6x0.75	4 Nm (3 lbf ft)	Loctite® 243™
Plug, crankshaft location	M8	20 Nm (14.8 lbf ft)	–
Stud, exhaust flange	M8	10 Nm (7.4 lbf ft)	Loctite® 243™
Cylinder head screw	M10	Tightening sequence: Tighten diagonally, beginning with the rear screw on the chain shaft. Step 1 15 Nm (11.1 lbf ft) Step 2 30 Nm (22.1 lbf ft) Step 3 45 Nm (33.2 lbf ft) Step 4 60 Nm (44.3 lbf ft)	Lubricated with engine oil

TECHNICAL DATA - ENGINE TIGHTENING TORQUES

Oil hole plug	M10x1	15 Nm (11.1 lbf ft)	Loctite® 243™
Plug, drain hole of water pump	M10x1	15 Nm (11.1 lbf ft)	–
Plug, oil bore for oil radiator	M10x1	15 Nm (11.1 lbf ft)	–
Screw, unlocking of timing chain tensioner	M10x1	10 Nm (7.4 lbf ft)	–
Spark plug	M12x1.25	17 Nm (12.5 lbf ft)	–
Coolant temperature sensor on cylinder head	M12x1.5	12 Nm (8.9 lbf ft)	–
Oil drain plug with magnet	M12x1.5	20 Nm (14.8 lbf ft)	–
Oil pressure regulator valve plug	M12x1.5	20 Nm (14.8 lbf ft)	–
Plug, oil bore	M14x1.5	15 Nm (11.1 lbf ft)	Loctite® 243™
Engine case stud	M16x1.5	25 Nm (18.4 lbf ft)	Loctite® 243™
Rotor nut	M18x1.5	100 Nm (73.8 lbf ft)	–
Nut, engine sprocket	M20x1.5	60 Nm (44.3 lbf ft)	Loctite® 243™
Nut, inner clutch hub	M20x1.5	100 Nm (73.8 lbf ft)	Loctite® 243™
Nut, primary gear	M20LHx1.5	90 Nm (66.4 lbf ft)	Loctite® 243™
Plug, oil screen	M20x1.5	15 Nm (11.1 lbf ft)	–
Plug, timing chain tensioner	M20x1.5	25 Nm (18.4 lbf ft)	–
Plug, oil thermostat	M24x1.5	15 Nm (11.1 lbf ft)	–
Screw in alternator cover	M24x1.5	8 Nm (5.9 lbf ft)	–

Frame	Lattice frame made of chrome molybdenum steel tubing, powder-coated
Fork	WP Suspension Up Side Down 4860 ROMA
Shock absorber	WP Suspension 4618 with Pro-Lever deflector
Suspension travel	
Front	140 mm (5.51 in)
Rear	140 mm (5.51 in)
Brake system	
Front	Disc brake with radially screwed four-piston brake caliper, floating brake disc
Rear	Disc brake with single-piston brake caliper, floating
Brake discs - diameter	
Front	320 mm (12.6 in)
Rear	240 mm (9.45 in)
Brake discs - wear limit	
Front	3.6 mm (0.142 in)
Rear	4.5 mm (0.177 in)
Tire air pressure, solo	
Front	2.0 bar (29 psi)
Rear	2.0 bar (29 psi)
Tire air pressure with passenger / fully loaded	
Front	2.0 bar (29 psi)
Rear	2.2 bar (32 psi)
Secondary drive ratio	16:40
Chain	5/8 x 1/4" X-ring

Steering head angle	63.5°
Wheelbase	1,472±15 mm (57.95±0.59 in)
Seat height unloaded	865 mm (34.06 in)
Ground clearance unloaded	155 mm (6.1 in)
Weight without fuel approx.	148.5 kg (327.4 lb.)
Maximum permissible front axle load	150 kg (331 lb.)
Maximum permissible rear axle load	200 kg (441 lb.)
Maximum permissible overall weight	350 kg (772 lb.)

Battery	YTZ10S	Battery voltage: 12 V Nominal capacity: 8.6 Ah maintenance-free
Fuse	58011109130	30 A
Fuse	75011088015	15 A
Fuse	75011088010	10 A

Lighting equipment

Low beam/high beam	HB3 / socket P20d	12 V 60 W
Parking light	W5W / socket W2,1x9,5d	12 V 5 W
Instrument lights and indicator lamps	LED	
Turn signal	RY10W / socket BAU15s	12 V 10 W
Brake/tail light	LED	

License plate lamp	W5W / socket W2,1x9,5d	12 V 5 W
--------------------	------------------------	-------------

Front tire	Rear tire
120/70 R 17 M/C 58H TL Dunlop Sportmax GPR Alpha 10	160/60 R 17 M/C 69H TL Dunlop Sportmax GPR Alpha 10
Additional information is available in the Service section under: http://www.ktm.com	

Capacity - fuel

Total fuel tank capacity, approx.	13.5 l (3.57 US gal)	Super unleaded (ROZ 95 / RON 95 / PON 91) (☛ p. 173)
Fuel reserve, approx.	2.5 l (2.6 qt.)	

Fork part number	14.18.7J.09	
Fork	WP Suspension Up Side Down 4860 ROMA	
Compression damping		
Comfort	20 clicks	
Standard	15 clicks	
Sport	10 clicks	
Full payload	10 clicks	
Rebound damping		
Comfort	20 clicks	
Standard	15 clicks	
Sport	10 clicks	
Full payload	10 clicks	
Spring length with preload spacer(s)	352 mm (13.86 in)	
Spring rate		
Medium (standard)	6.5 N/mm (37.1 lb/in)	
Air chamber length	110 \pm 20 mm (4.33 \pm 0.79 in)	
Fork length	850 mm (33.46 in)	
Fork oil per fork leg	775 ml (26.2 fl. oz.)	Fork oil (SAE 5) (☛ p. 172)

TECHNICAL DATA - SHOCK ABSORBER

Shock absorber part number	15.18.7J.09
Shock absorber	WP Suspension 4618 with Pro-Lever deflector
Compression damping, high-speed	
Comfort	2.0 turns
Standard	1.5 turns
Sport	1.0 turn
Full payload	1.0 turn
Compression damping, low-speed	
Comfort	20 clicks
Standard	15 clicks
Sport	10 clicks
Full payload	10 clicks
Rebound damping	
Comfort	20 clicks
Standard	15 clicks
Sport	10 clicks
Full payload	10 clicks
Spring preload	
Comfort	12 mm (0.47 in)
Standard	12 mm (0.47 in)
Sport	12 mm (0.47 in)
Full payload	15 mm (0.59 in)
Spring rate	
Medium (standard)	70 N/mm (400 lb/in)
Hard	75 N/mm (428 lb/in)

TECHNICAL DATA - SHOCK ABSORBER

Spring length	185 mm (7.28 in)
Gas pressure	10 bar (145 psi)
Static sag	25 mm (0.98 in)
Riding sag	60... 65 mm (2.36... 2.56 in)
Fitted length	376 mm (14.8 in)
Shock absorber fluid	Shock absorber oil (SAE 2,5) (50180342S1) (☛ p. 172)

TECHNICAL DATA - CHASSIS TIGHTENING TORQUES

Screw, combination instrument	EJOT	1 Nm (0.7 lbf ft)	–
Screw, combination instrument holder	EJOT	1 Nm (0.7 lbf ft)	–
Remaining screws, chassis	M4	4 Nm (3 lbf ft)	–
Screw, side stand switch	M4	2 Nm (1.5 lbf ft)	Loctite® 243™
Bolt, foot brake lever stub	M5	6 Nm (4.4 lbf ft)	Loctite® 243™
Remaining screws, chassis	M5	4 Nm (3 lbf ft)	–
Screw, fuel level sensor	M5	3 Nm (2.2 lbf ft)	–
Screw, fuel pump	M5	4 Nm (3 lbf ft)	–
Screw, plastic clamp of brake line on fork leg	M5	2 Nm (1.5 lbf ft)	–
Screw, pressure regulator	M5	4 Nm (3 lbf ft)	–
Screw, seat lock	M5	3 Nm (2.2 lbf ft)	Loctite® 222
Screw, side cover	M5	2 Nm (1.5 lbf ft)	–
Screw, starter cable on starter	M5	3 Nm (2.2 lbf ft)	–
Lower radiator bracket nut	M6	5 Nm (3.7 lbf ft)	–
Remaining nuts, chassis	M6	15 Nm (11.1 lbf ft)	–
Remaining screws on fuel tank	M6	6 Nm (4.4 lbf ft)	–
Remaining screws, chassis	M6	10 Nm (7.4 lbf ft)	–
Screw, ball joint of push rod on foot brake cylinder	M6	10 Nm (7.4 lbf ft)	Loctite® 243™
Screw, battery holder	M6	3 Nm (2.2 lbf ft)	–
Screw, brake fluid reservoir of rear brake	M6	5 Nm (3.7 lbf ft)	–
Screw, bug spoiler	M6	7 Nm (5.2 lbf ft)	–
Screw, control unit holder	M6	3 Nm (2.2 lbf ft)	–
Screw, foot brake cylinder	M6	10 Nm (7.4 lbf ft)	Loctite® 243™

TECHNICAL DATA - CHASSIS TIGHTENING TORQUES

Screw, fuel tap	M6	Tightening sequence: tighten in parallel 6 Nm (4.4 lbf ft)	–
Screw, headlight mask	M6	5 Nm (3.7 lbf ft)	–
Screw, horn	M6	6 Nm (4.4 lbf ft)	Loctite® 243™
Screw, license plate holder	M6	8 Nm (5.9 lbf ft)	–
Screw, lower radiator bracket	M6	5 Nm (3.7 lbf ft)	–
Screw, magnetic holder on side stand	M6	10 Nm (7.4 lbf ft)	Loctite® 243™
Screw, side stand bracket	M6	10 Nm (7.4 lbf ft)	Loctite® 243™
Screw, SLS valve	M6	6 Nm (4.4 lbf ft)	–
Screw, voltage regulator/rectifier	M6	8 Nm (5.9 lbf ft)	–
Nut, manifold on cylinder head	M8	25 Nm (18.4 lbf ft)	Copper paste
Nut, rear sprocket screw	M8	35 Nm (25.8 lbf ft)	Loctite® 243™
Remaining nuts, chassis	M8	30 Nm (22.1 lbf ft)	–
Remaining screws, chassis	M8	25 Nm (18.4 lbf ft)	–
Screw, bottom triple clamp	M8	15 Nm (11.1 lbf ft)	–
Screw, fork stub	M8	15 Nm (11.1 lbf ft)	–
Screw, front brake disc	M8	30 Nm (22.1 lbf ft)	Loctite® 243™
Screw, fuel tank bracket	M8	15 Nm (11.1 lbf ft)	–
Screw, handlebar clamp	M8	20 Nm (14.8 lbf ft)	–
Screw, handrail	M8	6 Nm (4.4 lbf ft)	–
Screw, ignition lock	M8		Loctite® 243™
Screw, linkage bracket, front engine bracket	M8	25 Nm (18.4 lbf ft)	Loctite® 243™
Screw, main silencer fixation	M8	25 Nm (18.4 lbf ft)	–

TECHNICAL DATA - CHASSIS TIGHTENING TORQUES

Screw, manifold on main silencer	M8	25 Nm (18.4 lbf ft)	Copper paste
Screw, rear brake disc	M8	30 Nm (22.1 lbf ft)	Loctite® 243™
Screw, rear footrest bracket	M8	25 Nm (18.4 lbf ft)	Loctite® 243™
Screw, side stand bracket	M8	25 Nm (18.4 lbf ft)	Loctite® 243™
Screw, spring holder on side stand bracket	M8	15 Nm (11.1 lbf ft)	Loctite® 243™
Screw, steering stem	M8	20 Nm (14.8 lbf ft)	–
Screw, top triple clamp	M8	12 Nm (8.9 lbf ft)	–
Screw, upper subframe	M8	35 Nm (25.8 lbf ft)	Loctite® 243™
Engine carrying screw	M10	45 Nm (33.2 lbf ft)	Loctite® 243™
Remaining nuts, chassis	M10	50 Nm (36.9 lbf ft)	–
Remaining screws, chassis	M10	45 Nm (33.2 lbf ft)	–
Screw, bottom shock absorber	M10	45 Nm (33.2 lbf ft)	Loctite® 243™
Screw, foot brake lever	M10	25 Nm (18.4 lbf ft)	–
Screw, handlebar support	M10	20 Nm (14.8 lbf ft)	–
Screw, side stand	M10	35 Nm (25.8 lbf ft)	Loctite® 243™
Screw, top shock absorber	M10	45 Nm (33.2 lbf ft)	Loctite® 243™
Screw, front brake caliper	M10x1.25	45 Nm (33.2 lbf ft)	Loctite® 243™
Screw, lower subframe	M10x1.25	45 Nm (33.2 lbf ft)	Loctite® 243™
Lambda sensor	M12x1.25	24.5 Nm (18.07 lbf ft)	Copper paste
Nut, frame to linkage lever	M14x1.5	100 Nm (73.8 lbf ft)	–
Nut, linkage lever on swingarm	M14x1.5	100 Nm (73.8 lbf ft)	–
Nut, linkage lever to rocker arm	M14x1.5	100 Nm (73.8 lbf ft)	–
Nut, swingarm pivot	M16x1.5	100 Nm (73.8 lbf ft)	–

TECHNICAL DATA - CHASSIS TIGHTENING TORQUES

Screw, steering head	M20x1.5	12 Nm (8.9 lbf ft)	–
Adjusting ring of swingarm bearing	M24x1.5	25 Nm (18.4 lbf ft)	–
Screw, front wheel spindle	M24x1.5	40 Nm (29.5 lbf ft)	–
Nut, rear wheel spindle	M25x1.5	90 Nm (66.4 lbf ft)	–

Brake fluid DOT 4 / DOT 5.1

According to

- DOT

Guideline

- Use only brake fluid that complies with the specified standards (see specifications on the container) and that possesses the corresponding properties. KTM recommends **Castrol** and **Motorex®** products.

Supplier

Castrol

- **RESPONSE BRAKE FLUID SUPER DOT 4**

Motorex®

- **Brake Fluid DOT 5.1**

Coolant

Guideline

- Use only suitable coolant (also in countries with high temperatures). Use of low-quality antifreeze can lead to corrosion and foaming. KTM recommends **Motorex®** products.

Mixture ratio

Antifreeze protection: -25... -45 °C (-13... -49 °F)	50 % corrosion inhibitor/antifreeze 50 % distilled water
--	---

Coolant (mixed ready to use)

Antifreeze	-40 °C (-40 °F)
------------	-----------------

Supplier

Motorex®

- **Anti Freeze**

Engine oil (SAE 10W/60) (00062010035)

According to

- JASO T903 MA (☛ p. 177)
- SAE (☛ p. 177) (SAE 10W/60)
- KTM LC4 2007+

Guideline

- Use only engine oils that comply with the specified standards (see specifications on the container) and that possess the corresponding properties. KTM recommends **Motorex®** products.

Synthetic engine oil

Supplier

Motorex®

- **Motorex® KTM Cross Power 4T**

Engine oil (SAE 10W/50)

According to

- JASO T903 MA (☛ p. 177)
- SAE (☛ p. 177) (SAE 10W/50)

Guideline

- Use only engine oils that comply with the specified standards (see specifications on the container) and that possess the corresponding properties. KTM recommends **Motorex®** products.

Fully synthetic engine oil

Supplier

Motorex®

- **Power Synt 4T**

Fork oil (SAE 5)

According to

- SAE (☛ p. 177) (SAE 5)

Guideline

- Use only oils that comply with the specified standards (see specifications on the container) and that possess the corresponding properties. KTM recommends **Motorex**[®] products.

Supplier

Motorex[®]

- **Racing Fork Oil**

Hydraulic fluid (15)

According to

- ISO VG (15)

Guideline

- Use only hydraulic fluid that complies with the specified standards (see specifications on the container) and that possesses the corresponding properties. KTM recommends **Motorex**[®] products.

Supplier

Motorex[®]

- **Hydraulic Fluid 75**

Shock absorber oil (SAE 2,5) (50180342S1)

According to

- SAE (☛ p. 177) (SAE 2,5)

Guideline

- Use only oils that comply with the specified standards (see specifications on the container) and that possesses the corresponding properties.

Super unleaded (ROZ 95 / RON 95 / PON 91)

According to

- DIN EN 228 (ROZ 95 / RON 95 / PON 91)

Chain cleaner

Guideline

- KTM recommends **Motorex®** products.

Supplier

Motorex®

- **Chain Clean 611**

Chain lube for road use

Guideline

- KTM recommends **Motorex®** products.

Supplier

Motorex®

- **Chain Lube 622 Strong**

Cleaning and preserving materials for metal, rubber and plastic

Guideline

- KTM recommends **Motorex®** products.

Supplier

Motorex®

- **Protect & Shine 645**

Contact spray

Guideline

- KTM recommends **Motorex®** products.

Supplier

Motorex®

- **Accu Contact**

High-luster polish for paint

Guideline

- KTM recommends **Motorex®** products.

Supplier

Motorex®

- **Moto Polish**

Long-life grease

Guideline

- KTM recommends **Motorex®** products.

Supplier

Motorex®

- **Fett 2000**

Motorcycle cleaner

Guideline

- KTM recommends **Motorex®** products.

Supplier

Motorex®

- **Moto Clean 900**

Paint cleaner and polish for high-gloss and matte finishes, bare metal and plastic surfaces

Guideline

- KTM recommends **Motorex®** products.

Supplier

Motorex®

- **Clean & Polish**

Universal oil spray

Guideline

- KTM recommends **Motorex®** products.

Supplier

Motorex®

- **Joker 440 Universal**

JASO T903 MA

Different technical development directions required a new specification for 4-stroke motorcycles – the JASO T903 MA Standard. Earlier, engine oils from the automobile industry were used for 4-stroke motorcycles because there was no separate motorcycle specification. Whereas long service intervals are demanded for automobile engines, high performance at high engine speeds are in the foreground for motorcycle engines. With most motorcycles, the gearbox and the clutch are lubricated with the same oil as the engine. The JASO MA Standard meets these special requirements.

SAE

The SAE viscosity classes were defined by the Society of Automotive Engineers and are used for classifying oils according to their viscosity. The viscosity describes only one property of oil and says nothing about quality.

A

Accessories	8
Antifreeze	
checking	123

B

Baggage	46
Battery	
installing	98
recharging	100
removing	96
Blink code	145-149
Brake discs	
checking	75
Brake fluid	
front brake, adding	77
rear brake, adding	82
Brake fluid level	
front brake, checking	76
rear brake, checking	81
Brake linings	
front brake, checking	78
rear brake, checking	84
Brakes	54
Braking	54

C

Chain	
checking	73
cleaning	69
dirt, checking for	69
Chain tension	
adjusting	71
checking	70
Chassis number	22
Cleaning	150-151
Clutch	
checking/correcting fluid level	131
Clutch lever	25
basic position, adjusting	130
Combination instrument	29
clock, setting	34
coolant temperature indicator	37
display	32
function buttons	30
indicator lamps	31
kilometers or miles, setting	33
ODO display	35
speed display	33
tachometer	30
time	34
TRIP 1 display, setting/resetting	35
TRIP 2 display, setting/resetting	36

TRIP F display	37
Coolant	
draining	127
Coolant level	
checking	123, 126
Cooling system	123
filling/bleeding	128
D	
Display	32
E	
Electric starter button	29
Emergency OFF switch	28
Engine	
running in	45
Engine characteristic	
adjusting	106
Engine number	23
Engine oil	
adding	140
changing	134
draining	134
refilling	139
Engine oil level	
checking	133
Engine sprocket	
checking	73

Environment	9
F	
Filler cap	
closing	38
opening	38
Filling up	
fuel	56
Foot brake lever	43
basic position, adjusting	80
free travel, checking	79
Fork	63
compression damping, adjusting	63
fork legs, bleeding	68
rebound, adjusting	64
Fork part number	24
Front wheel	
installing	85
removing	84
Fuel tank	
positioning	95
reinstalling	94
Fuel taps	39
Fuel, oils, etc.	7
Fuse	
individual power consumers, changing	104

H

Hand brake lever 25
 basic position, adjusting 76

Handrails 39

Headlight adjustment
 high beam, adjusting 121
 high beam, checking 119
 low beam, adjusting 120
 low beam, checking 118

Headlight flasher switch 26

Headlight mask with headlight
 installing 110
 removing 108

High beam bulb
 changing 114

Horn button 27

I

Ignition lock 28

Indicator lamps 31

K

Key number 23

L

Light switch 26

Loading the vehicle 46

Low beam bulb
 changing 111

M

Main fuse
 changing 102

Maintenance 7

Motorcycle
 cleaning 150
 jacking up front 61
 jacking up rear 62
 taking front from work stand 61
 taking rear from work stand 62

O

Oil filter
 changing 134
 installing 137
 removing 135

Oil screen
 cleaning 137

Oil screens
 cleaning 134

Owner's manual 16, 40

P

Parking 55

Parking light bulb
 changing 116

Passenger footrests	41
Play in throttle cable	
adjusting	133
checking	132
Protective treatment for winter operation	152
Putting into operation	
advice on first use	44
after storage	154
checks before putting into operation	48
R	
Rear hub rubber dampers	
checking	90
Rear sprocket	
checking	73
Rear wheel	
fitting	88
removing	87
Riding	50
starting up	50
S	
Seat	
mounting	94
removing	93
Seat lock	40
Service plan	59-60
Shift lever	42

Shifting	50
Shock absorber	63
compression damping, general	65
compression damping, high-speed, adjusting	66
compression damping, low-speed, adjusting	65
rebound damping, adjusting	67
Shock absorber part number	24
Side stand	43
Spare parts	8
Starting	49
Steering lock	28
Stopping	55
Storage	153
T	
Tachometer	30
Technical data	
chassis	160-162
chassis tightening torques	166-169
engine	155-156
engine tightening torques	157-159
fork	163
shock absorber	164-165
Tire air pressure	
checking	92
Tire condition	
checking	91
Tool set	41

Transport	8
Troubleshooting	142-144
Turn signal bulb	
changing	117
Turn signal switch	27
Type label	22
U	
Use definition	7
V	
View of vehicle	
front left	18
rear right side	20
W	
Warranty	7
Work rules	8



3211521en



10/2009 Photo: Mitterbauer



KTM-Sportmotorcycle AG
5230 Mattighofen/Austria
<http://www.ktm.com>