

250 Duke

Art. no. 3213781en



KTM

Congratulations on your decision to purchase a KTM motorcycle. You are now the owner of a state-of-the-art sports motorcycle that will give you enormous pleasure if you service and maintain it properly.

We hope you enjoy riding this motorcycle!

Enter the serial numbers of your vehicle below.

Chassis number (📖 p. 24)	Dealer's stamp
Engine number (📖 p. 25)	
Key number (📖 p. 25)	

The Owner's Manual contained the latest information for this model series at the time of going to print. However, minor differences due to further developments in design cannot be ruled out completely.

All specifications are non-binding. KTM Sportmotorcycle GmbH specifically reserves the right to modify or delete technical specifications, prices, colors, forms, materials, services, designs, equipment, etc., without prior notice and without specifying reasons, to adapt these to local conditions, as well as to stop production of a particular model without prior notice. KTM accepts no liability for delivery options, deviations from figures and descriptions, misprints, and other errors. The models portrayed partly contain special equipment that does not belong to the regular scope of supply.

© 2018 KTM Sportmotorcycle GmbH, Mattighofen Austria
All rights reserved



3213781en

01/2018

Reproduction, even in part, as well as copying of all kinds, is permitted only with the express written permission of the copyright owner.



REG.NO. 12 100 6061

KTM Sportmotorcycle GmbH
Stallhofnerstraße 3
5230 Mattighofen, Austria

ISO 9001(12 100 6061)

According to the international quality management standard ISO 9001, KTM uses quality assurance processes that lead to the maximum possible quality of the products.

Issued by: TÜV Management Service

This document is valid for the following models:

250 Duke EU (F4203R1, F4203R2)

250 Duke EU (F4203R3, F4203R4)

250 Duke JP (F4286R1, F4286R2)

250 Duke AR (F4242R1, F4242R2)

250 Duke BR (F4240R1, F4240R2)

250 Duke CN (F4287R1, F4287R2)

250 Duke CO (F4241R1, F4241R2)

250 Duke MY (F4289R1, F4289R2)

250 Duke PH (F4282R1, F4282R2)

250 Duke TH (F4283R1, F4283R2)

1	MEANS OF REPRESENTATION	8	4	VIEW OF VEHICLE	20
	1.1 Symbols used	8	4.1	View of vehicle, front left (example) ...	20
	1.2 Formats used.....	9	4.2	View of vehicle, rear right (example).....	22
2	SAFETY ADVICE.....	10	5	SERIAL NUMBERS	24
	2.1 Use definition.....	10	5.1	Chassis number	24
	2.2 Misuse.....	10	5.2	Type label	24
	2.3 Safety advice.....	10	5.3	Engine number	25
	2.4 Degrees of risk and symbols	11	5.4	Key number.....	25
	2.5 Tampering warning.....	12	6	CONTROLS.....	26
	2.6 Safe operation	12	6.1	Clutch lever.....	26
	2.7 Protective clothing	13	6.2	Hand brake lever.....	26
	2.8 Work rules.....	14	6.3	Throttle grip	27
	2.9 Environment.....	14	6.4	Horn button.....	27
	2.10 Owner's Manual	15	6.5	Light switch	28
3	IMPORTANT NOTES.....	16	6.6	High beam flasher button	28
	3.1 Manufacturer and implied warranty....	16	6.7	Turn signal switch.....	29
	3.2 Operating and auxiliary substances	16	6.8	Emergency OFF switch	30
	3.3 Spare parts, accessories	16	6.9	Electric starter button.....	30
	3.4 Service	17	6.10	Ignition/steering lock.....	31
	3.5 Figures	17	6.11	Locking the steering.....	31
	3.6 Customer service.....	17	6.12	Unlocking the steering.....	32
			6.13	Opening the filler cap.....	33

TABLE OF CONTENTS

6.14	Closing the filler cap	35	7.13	TRIP 1 display.....	61
6.15	Seat lock.....	36	7.13.1	Time Trip 1	61
6.16	Tool set.....	36	7.13.2	Average Speed Trip1	62
6.17	Grab handles	37	7.13.3	Avg F.C. Trip 1	63
6.18	Passenger foot pegs	37	7.14	TRIP 2 display.....	64
6.19	Shift lever	38	7.14.1	Time Trip 2.....	64
6.20	Foot brake lever	39	7.14.2	Average Speed Trip2.....	65
6.21	Side stand.....	39	7.14.3	Avg F.C. Trip 2	66
7	COMBINATION INSTRUMENT	41	7.15	Setting the units	66
7.1	Combination instrument	41	7.16	Setting the clock.....	68
7.2	Activation and test	42	7.17	Adjusting the shift speed RPM1	69
7.3	Warning notes.....	43	7.18	Adjusting the shift speed RPM2	70
7.4	Indicator lamps.....	48	8	PREPARING FOR USE.....	72
7.5	Shift warning light	50	8.1	Advice on preparing for first use	72
7.6	Display	52	8.2	Running in the engine	74
7.7	Fuel level display	53	8.3	Loading the vehicle.....	74
7.8	Coolant temperature indicator	54	9	RIDING INSTRUCTIONS.....	77
7.9	Function buttons.....	55	9.1	Checks and maintenance measures when preparing for use	77
7.10	TRIP F display	56	9.2	Starting.....	78
7.11	Error display	57	9.3	Starting off.....	80
7.12	ODO display	58	9.4	Shifting, riding	81
7.12.1	Fuel Range.....	58	9.5	Applying the brakes.....	85
7.12.2	Service	59	9.6	Stopping, parking.....	89
7.12.3	Actual F.C.....	60			

9.7	Transport	90	12.8	Removing the front rider's seat	109
9.8	Refueling	92	12.9	Mounting the front rider's seat.....	110
10	SERVICE SCHEDULE	95	12.10	Checking for chain dirt accumulation.....	111
10.1	Additional information.....	95	12.11	Cleaning the chain	111
10.2	Required work	95	12.12	Checking the chain tension.....	113
10.3	Recommended work	97	12.13	Adjusting the chain tension.....	114
11	TUNING THE CHASSIS	99	12.14	Checking the chain, rear sprocket, and engine sprocket	116
11.1	Adjusting the spring preload of the shock absorber 🛠.....	99	12.15	Removing the front spoiler	119
11.2	Adjusting the shift lever.....	100	12.16	Fitting front spoiler	120
12	SERVICE WORK ON THE CHASSIS.....	102	13	BRAKE SYSTEM	121
12.1	Raising the motorcycle with the rear lifting gear	102	13.1	Antilock braking system (ABS) (Option: With ABS)	121
12.2	Removing the rear of the motorcycle from the lifting gear.....	102	13.2	Checking the brake discs	123
12.3	Lifting the motorcycle with the front lifting gear.....	103	13.3	Checking the brake fluid level of the front brake.....	124
12.4	Taking the motorcycle off the front lifting gear	105	13.4	Adding front brake fluid 🛠.....	125
12.5	Cleaning the dust boots of the fork legs	106	13.5	Checking the front brake linings.....	128
12.6	Removing the passenger seat	108	13.6	Checking the free travel of foot brake lever	129
12.7	Mounting the passenger seat.....	109	13.7	Adjusting the free travel of the foot brake lever 🛠.....	131
			13.8	Checking the rear brake fluid level	133

TABLE OF CONTENTS

13.9	Adding rear brake fluid 🛠️	134	16	COOLING SYSTEM	175
13.10	Checking the rear brake linings	137	16.1	Cooling system	175
14	WHEELS, TIRES	139	16.2	Checking the antifreeze and coolant level	177
14.1	Removing the front wheel 🛠️	139	16.3	Checking the coolant level	180
14.2	Installing the front wheel 🛠️	140	16.4	Draining the coolant 🛠️	182
14.3	Removing the rear wheel 🛠️	143	16.5	Filling/bleeding the cooling system 🛠️	183
14.4	Installing the rear wheel 🛠️	145	16.6	Changing the coolant 🛠️	186
14.5	Checking the rear hub rubber dampers 🛠️	148	17	TUNING THE ENGINE	190
14.6	Checking the tire condition	150	17.1	Checking the play in the throttle cable	190
14.7	Checking the tire air pressure	152	17.2	Adjusting the play in the throttle cable 🛠️	191
15	ELECTRICAL SYSTEM	154	17.3	Checking the clutch lever play	191
15.1	Removing the battery 🛠️	154	17.4	Adjusting play in the clutch lever 🛠️	193
15.2	Installing the battery 🛠️	156	18	SERVICE WORK ON THE ENGINE	194
15.3	Recharging the battery 🛠️	157	18.1	Checking the engine oil level	194
15.4	Changing the ABS fuses (Option: With ABS)	160	18.2	Changing the engine oil and oil filter, cleaning the oil screens 🛠️	195
15.5	Changing the fuses of individual power consumers	163	18.3	Adding engine oil	199
15.6	Changing the headlight bulb	168			
15.7	Checking the headlight setting	171			
15.8	Adjusting the headlight range	172			
15.9	Diagnostics connector	173			
15.10	Front ACC1 and ACC2	174			

19	CLEANING, CARE	201	24	AUXILIARY SUBSTANCES	234	
	19.1	Cleaning the motorcycle	201	25	STANDARDS	236
	19.2	Checks and maintenance steps for winter operation	204	26	INDEX OF SPECIAL TERMS	237
20	STORAGE	206	27	LIST OF ABBREVIATIONS.....	238	
	20.1	Storage	206	28	LIST OF SYMBOLS.....	239
	20.2	Preparing for use after storage.....	208	28.1	Red symbols.....	239
21	TROUBLESHOOTING	209	28.2	Yellow and orange symbols.....	239	
22	TECHNICAL DATA	213	28.3	Green and blue symbols.....	239	
	22.1	Engine	213	INDEX	241	
	22.2	Engine tightening torques	214			
	22.3	Capacities	219			
	22.3.1	Engine oil	219			
	22.3.2	Coolant	219			
	22.3.3	Fuel	219			
	22.4	Chassis	220			
	22.5	Electrical system.....	221			
	22.6	Tires	222			
	22.7	Fork.....	223			
	22.8	Shock absorber	223			
	22.9	Chassis tightening torques	223			
23	SUBSTANCES	230				

1 MEANS OF REPRESENTATION

1.1 Symbols used

The meaning of specific symbols is described below.



Indicates an expected reaction (e.g. of a work step or a function).



Indicates an unexpected reaction (e.g. of a work step or a function).



All work marked with this symbol requires specialist knowledge and technical understanding. In the interest of your own safety, have these jobs performed by an authorized KTM workshop! Your motorcycle will be optimally cared for there by specially trained experts using the auxiliary tools required.



Indicates a page reference (more information is provided on the specified page).



Indicates information with more details or tips.



Indicates the result of a testing step.

V	Indicates a voltage measurement.
A	Indicates a current measurement.
◀	Indicates the end of an activity, including potential rework.

1.2 Formats used

The typographical formats used in this document are explained below.

Proprietary name	Indicates a proprietary name.
Name®	Indicates a protected name.
Brand™	Indicates a brand available on the open market.
<u>Underlined terms</u>	Refer to technical details of the vehicle or indicate technical terms, which are explained in the glossary.

2 SAFETY ADVICE

2.1 Use definition

KTM sport motorcycles are designed and constructed to meet the normal demands of regular road operation but not for use on race courses or offroad.



Info

The motorcycle is authorized for public road traffic in the homologous version only.

2.2 Misuse

The vehicle must only be used as intended.

Dangers can arise for people, property and the environment through use not as intended.

Any use of the vehicle beyond the intended and defined use constitutes misuse.

Misuse also includes the use of operating and auxiliary fluids which do not meet the required specification for the respective use.

2.3 Safety advice

A number of safety instructions need to be followed to operate the product described safely. Therefore read this instruction and all further instructions included carefully. The safety instructions are highlighted in the text and are referred to at the relevant passages.

**Info**

Various information and warning labels are attached in prominent locations on the product described. Do not remove any information or warning labels. If they are missing, you or others may not recognize dangers and may therefore be injured.

2.4 Degrees of risk and symbols

**Danger**

Identifies a danger that will immediately and invariably lead to fatal or serious permanent injury if the appropriate measures are not taken.

**Warning**

Identifies a danger that is likely to lead to fatal or serious injury if the appropriate measures are not taken.

**Caution**

Identifies a danger that may lead to minor injuries if the appropriate measures are not taken.

Note

Identifies a danger that will lead to considerable machine and material damage if the appropriate measures are not taken.

**Note**

Indicates a danger that will lead to environmental damage if the appropriate measures are not taken.

2.5 Tampering warning

Tampering with the noise control system is prohibited. Federal law prohibits the following acts or the causing thereof:

- 1 The removal or rendering inoperative by any person other than for purposes of maintenance, repair, or replacement, of any device or element of design incorporated into any new vehicle for the purpose of noise control prior to its sale or delivery to the ultimate purchaser or while it is in use, or
- 2 the use of the vehicle after such device or element of design has been removed or rendered inoperative by any person.

Among those acts presumed to constitute tampering are the acts listed below:

- 1 Removal or puncturing of the main silencer, baffles, header pipes or any other components which conduct exhaust gases.
- 2 Removal or puncturing of parts of the intake system.
- 3 Lack of proper maintenance.
- 4 Replacing moving part of the vehicle, or parts of the exhaust or intake system, with parts other than those specified by the manufacturer.

2.6 Safe operation



Danger

Danger of accidents A rider who is not fit to ride poses a danger to him or herself and others.

- Do not operate the vehicle if you are not fit to ride due to alcohol, drugs or medication.
- Do not operate the vehicle if you are physically or mentally impaired.

**Danger**

Danger of poisoning Exhaust gases are toxic and inhaling them may result in unconsciousness and death.

- Always make sure there is sufficient ventilation when running the engine.
- Use an effective exhaust extraction system when starting or running the engine in an enclosed space.

**Warning**

Danger of burns Some vehicle components become very hot when the vehicle is operated.

- Do not touch any parts such as the exhaust system, radiator, engine, shock absorber, or brake system before the vehicle parts have cooled down.
- Let the vehicle parts cool down before you perform any work on the vehicle.

Only operate the vehicle when it is in perfect technical condition, in accordance with its intended use, and in a safe and environmentally compatible manner.

An appropriate driver's license is needed to ride the vehicle on public roads.

Have malfunctions that impair safety promptly eliminated by an authorized KTM workshop.

Adhere to the information and warning labels on the vehicle.

2.7 Protective clothing

**Warning**

Risk of injury Missing or poor protective clothing presents an increased safety risk.

- Wear appropriate protective clothing such as helmet, boots, gloves as well as trousers and a jacket with protectors on all rides.
 - Always wear protective clothing that is in good condition and meets the legal regulations.
-

2 SAFETY ADVICE

In the interest of your own safety, KTM recommends that you only operate the vehicle while wearing protective clothing.

2.8 Work rules

Special tools are necessary for certain tasks. The tools are not a component of the vehicle, but can be ordered using the number in parentheses. Example: bearing puller (15112017000)

During assembly, use new parts to replace parts which cannot be reused (e.g. self-locking screws and nuts, seals, sealing rings, O-rings, pins, and lock washers).

In the case of certain screws, a thread locker (e.g. **Loctite**®) is required. Apply according to the manufacturer's instructions.

After disassembly, clean the parts that are to be reused and check them for damage and wear. Change damaged or worn parts.

After completing a repair or service work, check the operating safety of the vehicle.

2.9 Environment

If you use your motorcycle responsibly, you can ensure that problems and conflicts do not occur. To protect the future of the motorcycle sport, make sure that you use your motorcycle legally, display environmental consciousness, and respect the rights of others.

When disposing of used oil, other operating and auxiliary fluids, and used components, comply with the laws and regulations of the respective country.

Because motorcycles are not subject to the EU regulations governing the disposal of used vehicles, there are no legal regulations that pertain to the disposal of an end-of-life motorcycle. Your authorized KTM dealer will be glad to advise you.

2.10 Owner's Manual

It is important that you read this Owner's Manual carefully and completely before making your first trip. The Owner's Manual contains useful information and many tips on how to operate, handle, and maintain your motorcycle. Only then will you find out how to customize the vehicle ideally for your own use and how you can protect yourself from injury.

Keep the Owner's Manual in an accessible place to enable you to refer to it as needed.

If you would like to know more about the vehicle or have questions on the material you read, please contact an authorized KTM dealer.

The Owner's Manual is an important component of the vehicle and must be handed over to the new owner if the vehicle is sold.

The Owner's Manual is also available for download from your authorized KTM dealer and on the KTM website.
International KTM Website: <http://www.ktm.com>

3 IMPORTANT NOTES

3.1 Manufacturer and implied warranty

The work specified in the service schedule may only be performed in an authorized KTM workshop and must be recorded in both the Service & Warranty Booklet and in **KTM Dealer.net**, otherwise any warranty coverage will become void. Damage or secondary damage caused by tampering with and/or conversions on the vehicle are not covered by the warranty.

Additional information on the manufacturer or implied warranty and the procedures involved can be found in the Service & Warranty Booklet.

3.2 Operating and auxiliary substances



Note

Environmental hazard Improper handling of fuel is a danger to the environment.

- Do not allow fuel to enter the groundwater, the soil, or the sewage system.

Use operating and auxiliary substances in accordance with the Owner's Manual and specification.

3.3 Spare parts, accessories

For your own safety, only use spare parts and accessory products that are approved and/or recommended by KTM and have them installed by an authorized KTM workshop. KTM accepts no liability for other products and any resulting damage or loss.

Certain spare parts and accessory products are specified in parentheses in the descriptions. Your authorized KTM dealer will be glad to advise you.

The current **KTM PowerParts** for your vehicle can be found on the KTM website.
International KTM Website: <http://www.ktm.com>

3.4 Service

A prerequisite for perfect operation and prevention of premature wear is that the service, care, and tuning work on the engine and chassis is properly carried out as described in the Owner's Manual. Incorrect adjustment and tuning of the engine and chassis can lead to damage and breakage of components.

Use of the vehicle under difficult conditions, such in rain, high heat or with a heavy load, can lead to considerably more rapid wear of components such as the drive train, brake system, or suspension components. For this reason, it may be necessary to inspect or replace parts before the next scheduled service.

It is imperative that you adhere to the stipulated run-in times and service intervals. If you observe these exactly, you will ensure a much longer service life for your motorcycle.

3.5 Figures

The figures contained in the manual may depict special equipment.

In the interest of clarity, some components may be shown disassembled or may not be shown at all. It is not always necessary to disassemble the component to perform the activity in question. Please follow the instructions in the text.

3.6 Customer service

Your authorized KTM dealer will be happy to answer any questions you may have on your vehicle and KTM.

3 IMPORTANT NOTES

A list of authorized KTM dealers can be found on the KTM website.
International KTM Website: <http://www.ktm.com>

4 VIEW OF VEHICLE

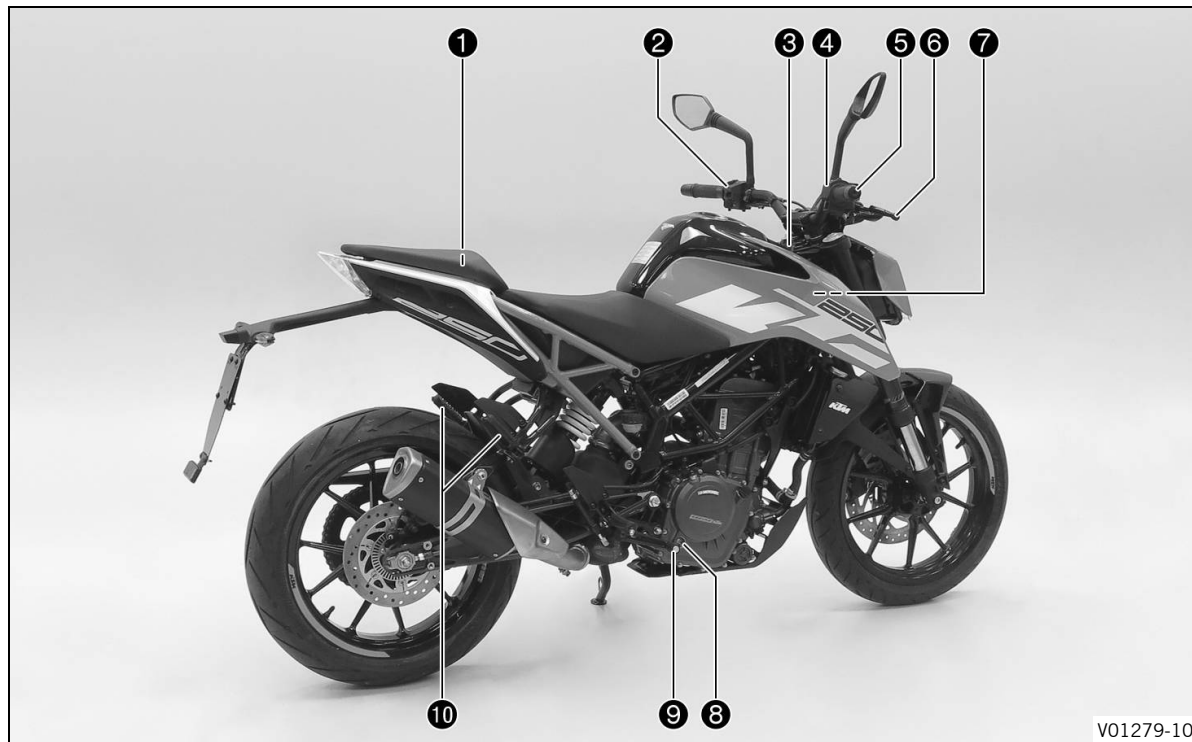
4.1 View of vehicle, front left (example)



- ① Combination instrument
- ② Rear mirror
- ③ Clutch lever (📖 p. 26)
- ④ Seat
- ⑤ Seat lock (📖 p. 36)
- ⑥ Passenger seat
- ⑦ Grab handles (📖 p. 37)
- ⑧ Shift lever (📖 p. 38)
- ⑨ Side stand (📖 p. 39)
- ⑩ Engine number (📖 p. 25)

4 VIEW OF VEHICLE

4.2 View of vehicle, rear right (example)

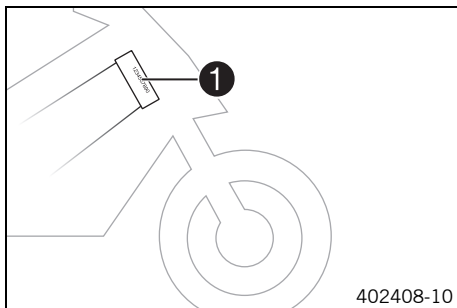


V01279-10

- ① Tool set (📖 p. 36)
- ② Light switch (📖 p. 28)
- ② High beam flasher button (📖 p. 28)
- ② Turn signal switch (📖 p. 29)
- ② Horn button (📖 p. 27)
- ③ Ignition/steering lock (📖 p. 31)
- ④ Emergency OFF switch (📖 p. 30)
- ④ Electric starter button (📖 p. 30)
- ⑤ Throttle grip (📖 p. 27)
- ⑥ Hand brake lever (📖 p. 26)
- ⑦ Chassis number (📖 p. 24)
- ⑦ Type label (📖 p. 24)
- ⑧ Engine oil level viewer
- ⑨ Foot brake lever (📖 p. 39)
- ⑩ Passenger foot pegs (📖 p. 37)

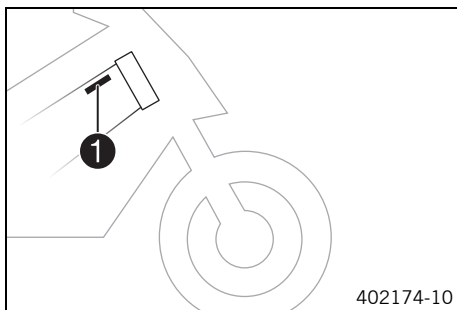
5 SERIAL NUMBERS

5.1 Chassis number



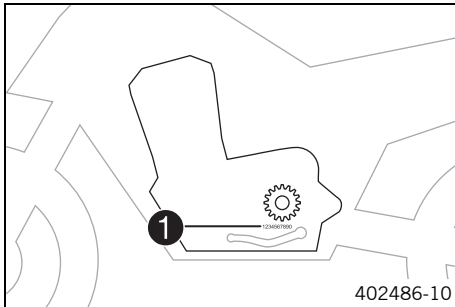
The chassis number **1** is stamped on the right side of the steering head.

5.2 Type label



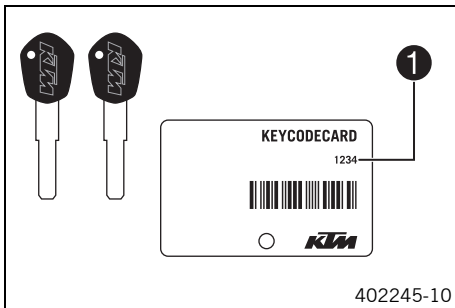
The type label **1** is on the right of the frame behind the steering head.

5.3 Engine number



The engine number **1** is stamped on the left side of the engine under the engine sprocket.

5.4 Key number



The key number **1** can be found on the **KEYCODECARD**.

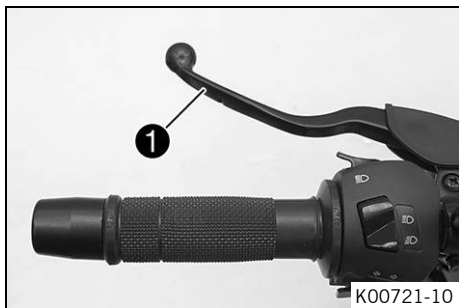


Info

You need the key number to order a spare key. Keep the **KEYCODECARD** in a safe place.

6 CONTROLS

6.1 Clutch lever



The clutch lever **1** is fitted on the left side of the handlebar.

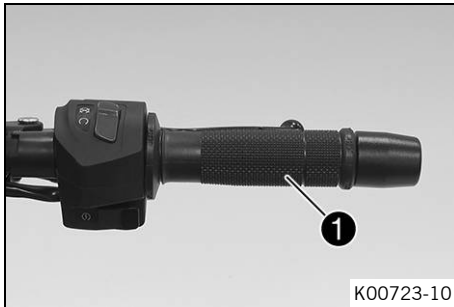
6.2 Hand brake lever



The hand brake lever **1** is fitted on the right side of the handlebar.

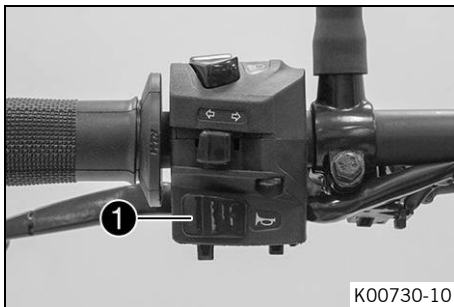
The front brake is engaged using the hand brake lever.

6.3 Throttle grip





The throttle grip ❶ is fitted on the right side of the handlebar.

6.4 Horn button



The horn button ❶ is fitted on the left side of the handlebar.

Possible states

- Horn button  in neutral position
- Horn button  pressed – The horn is operated in this position.



6 CONTROLS

6.5 Light switch



The light switch **1** is fitted on the left side of the handlebar.

Possible states

	Low beam on – The light switch is turned downward. In this position, the low beam and the tail light are switched on.
	High beam on – The light switch is turned upwards. In this position, the high beam and the tail light are switched on.

6.6 High beam flasher button

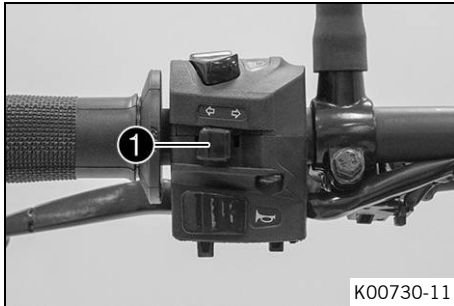


The high beam flasher button **1** is fitted on the left side of the handlebar.

Possible states

- High beam flasher button in neutral position
- High beam flasher button pressed – In this position, the headlight flasher (high beam) is actuated.

6.7 Turn signal switch



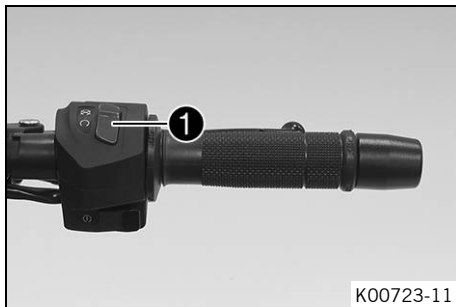
The turn signal switch ① is fitted on the left side of the handlebar.

Possible states

	Turn signal off
←	Turn signal, left, on – Turn signal switch pressed to the left. The turn signal switch returns automatically to the central position after use.
→	Turn signal, right, on – Turn signal switch pressed to the right. The turn signal switch returns automatically to the central position after use.



To switch off the turn signal, press the turn signal switch towards the switch case.

6.8 Emergency OFF switch



The emergency OFF switch **1** is fitted on the right side of the handlebar.

Possible states

	Emergency OFF switch off – In this position, the ignition circuit is interrupted, a running engine stops, and a non-running engine cannot be started.
	Emergency OFF switch on – This position is required for operation; the ignition circuit is closed.

6.9 Electric starter button



The electric starter button **1** is fitted on the right side of the handlebar.

Possible states

- Electric starter button **1** in basic position
- Electric starter button **1** pressed – In this position, the electric starter is actuated.

6.10 Ignition/steering lock



The ignition/steering lock is in front of the upper triple clamp.

Possible states

	<p>Ignition OFF – In this position, the ignition circuit is interrupted, a running engine stops, and a non-running engine will not start. The ignition key can be removed.</p>
	<p>Ignition ON – In this position, the ignition circuit is closed and the engine can be started.</p>
	<p>Steering locked – In this position, the ignition circuit is interrupted and the steering locked. The ignition key can be removed.</p>

6.11 Locking the steering

Note

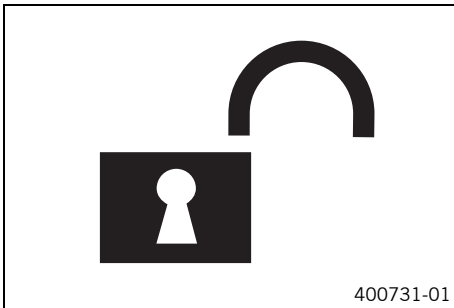
Danger of damage The parked vehicle can roll away or fall over.

- Park the vehicle on a firm and level surface.



- Park the vehicle.
- Turn the handlebar all the way to the left.
- Insert the key into the ignition/handlebar lock, press in, and turn to the left. Remove the key.
- ✓ Steering is no longer possible.

6.12 Unlocking the steering



- Insert the key into the ignition/handlebar lock, press in, and turn to the right. Remove the key.
- ✓ You can now steer the bike again.

6.13 Opening the filler cap



Danger

Fire hazard Fuel is highly flammable.

The fuel in the fuel tank expands when warm and can escape if overfilled.

- Do not refuel the vehicle in the vicinity of open flames or lit cigarettes.
- Switch off the engine for refueling.
- Make sure that no fuel is spilled; particularly not on hot parts of the vehicle.
- If any fuel is spilled, wipe it off immediately.
- Observe the specifications for refueling.



Warning

Danger of poisoning Fuel is poisonous and a health hazard.

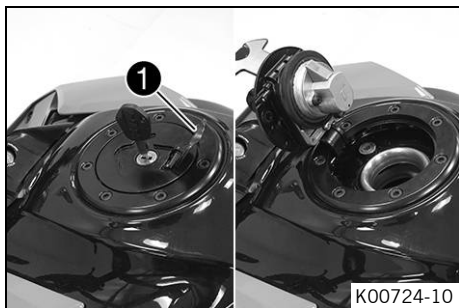
- Avoid skin, eye and clothing contact with fuel.
- Immediately consult a doctor if you swallow fuel.
- Do not inhale fuel vapors.
- In case of skin contact, rinse the affected area with plenty of water.
- Rinse the eyes thoroughly with water, and consult a doctor in case of fuel contact with the eyes.
- Change your clothing in case of fuel spills on them.
- Keep fuels correctly in a suitable canister, and out of the reach of children.



Note

Environmental hazard Improper handling of fuel is a danger to the environment.

- Do not allow fuel to enter the groundwater, the soil, or the sewage system.



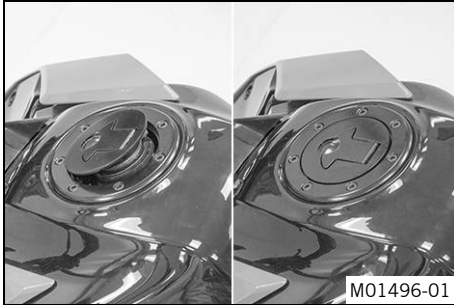
- Lift the cover **1** of the filler cap and insert the ignition key in the lock.

Note

Danger of damage The ignition key may break if overloaded. Damaged ignition keys must be replaced.

- Push down on the filler cap to take pressure off the ignition key.
- Turn the ignition key 90° clockwise.
- Open the filler cap.
- Remove the ignition key.

6.14 Closing the filler cap



Warning

Fire hazard Fuel is highly flammable, toxic and a health hazard.

- Check the filler cap is locked correctly after closing.
- Change your clothing in case of fuel spills on them.
- Rinse the affected area immediately with plenty of water in the event of contact with the skin.

- Close the filler cap.
- Push down the filler cap until the lock engages.



6 CONTROLS

6.15 Seat lock



The seat lock **1** is located to the left of the seat.
The seat lock can be unlocked using the ignition key.

6.16 Tool set



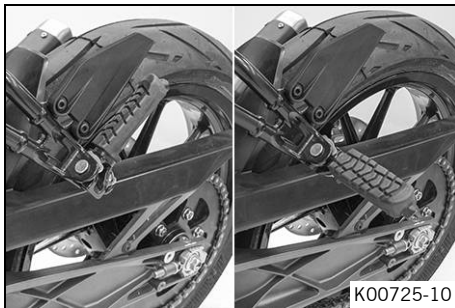
The tool set **1** is located under the passenger seat.

6.17 Grab handles



The grab handles **1** are used for moving the motorcycle around. If you carry a passenger, the passenger can hold onto the grab handles during the trip.

6.18 Passenger foot pegs

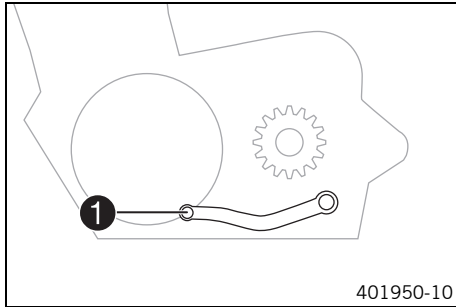


The passenger foot pegs can be folded up and down.

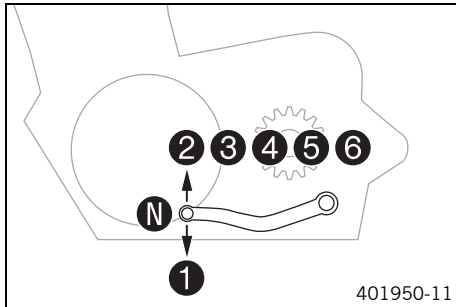
Possible states

- Passenger foot pegs folded up – For operation without a passenger.
- Passenger foot pegs folded down – For operation with a passenger.

6.19 Shift lever

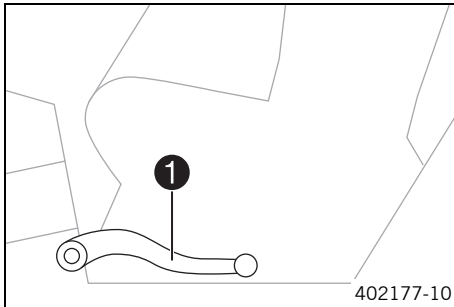


Shift lever ① is mounted on the left side of the engine.



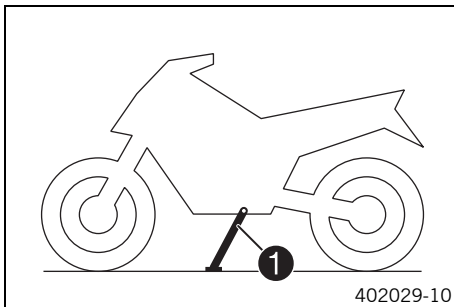
The gear positions can be seen in the photograph.
The neutral or idle position is between the first and second gears.

6.20 Foot brake lever



Foot brake lever **1** is located in front of the right footrest. The foot brake lever is used to activate the rear brake.

6.21 Side stand



Side stand **1** is located on the left of the vehicle. The side stand is used for parking the motorcycle.

i Info

The side stand must be folded up during motorcycle use. Side stand is coupled with the safety start system; follow the riding instructions.

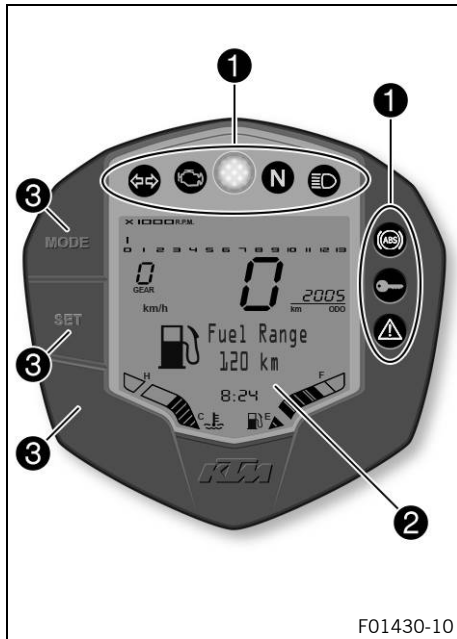
Possible states

- Side stand folded out – The vehicle can be supported on the side stand. The safety start system is enabled.

6 CONTROLS

- Side stand folded in – This position is mandatory when riding the motorcycle. The safety start system is disabled.

7.1 Combination instrument



The combination instrument is attached in front of the handlebar.

- 1** Indicator lamps (📖 p. 48)
- 2** Display (📖 p. 52)
- 3** Function buttons (📖 p. 55)

7.2 Activation and test



Activation

The combination instrument is activated when the ignition is switched on.



Info

The brightness of the displays is controlled by a brightness sensor in the combination instrument.

Test

When the ignition is switched on, all indicator lamps light up briefly except for the turn signal indicator lamp and immobilizer indicator lamp.

The segments of the tachometer and the gear display light up and switch off in sequence.

The speedometer counts from 0 to 199 and back.

The remaining display segments of the display light up briefly.

The **READY TO >> RACE** logo appears on the display.

The display then changes to the last selected mode.

**Info**

The malfunction indicator lamp always lights up as long as the engine is not running. If the engine is running and the malfunction indicator lamp lights up, stop (taking care not to endanger yourself or other road users in the process) and contact an authorized KTM workshop.


The ABS warning lamp lights up on models with ABS if a speed of approx. 6 km/h (approx. 4 mph) or more has been reached.

7.3 Warning notes

**Info**

All existing warning notes are displayed on the **Error** display until these are no longer active.

As soon as an error occurs, the relevant indicator lamps light up to signal that an indication/warning note for the operating safety has been detected.

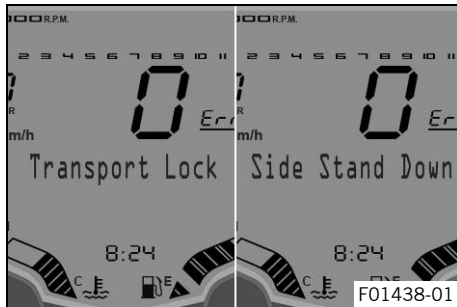
As soon as a warning note for the operating safety has been detected, the general warning lamp  also flashes.

7 COMBINATION INSTRUMENT



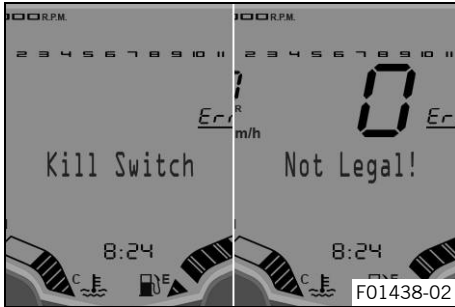
If an error has occurred in the CAN bus, various warning notes appear on the display:

CAN FAILURE, **CAN ABS FAILURE** (on models with ABS) and **CAN EMS FAILURE** may occur.



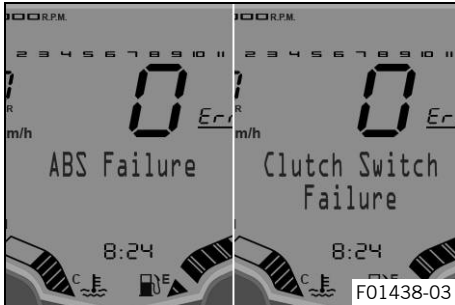
Transport Lock appears on the display if transport mode is activated.

Side Stand Down appears on the display if the side stand is folded down.



Kill Switch appears on the display if the emergency off switch is pressed.

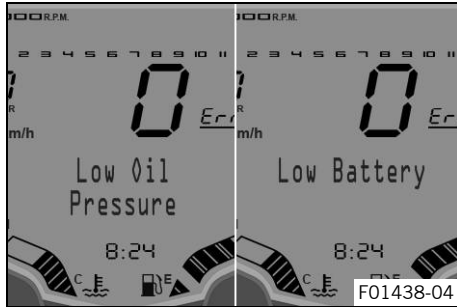
Not Legal! appears on the display if the approval for road use is invalidated by modifications.



ABS Failure appears on the display if the ABS is no longer active (on models with ABS).

Clutch Switch Failure appears on the display if the clutch switch is faulty.

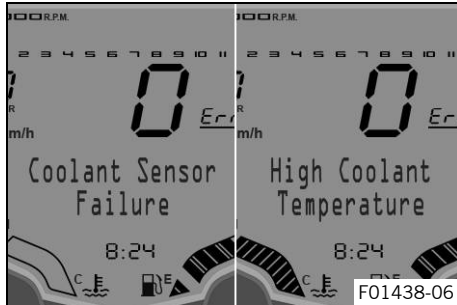
7 COMBINATION INSTRUMENT



Low Oil Pressure appears on the display if the oil pressure is too low.

Low Battery appears on the display if the battery voltage falls below the specified value.

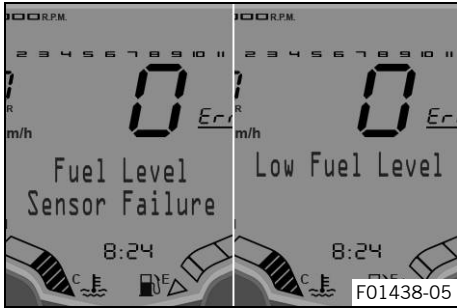
Battery voltage	$\leq 10.5 \text{ V}$
-----------------	-----------------------



Coolant Sensor Failure appears on the display if the coolant temperature sensor is faulty.

High Coolant Temperature appears on the display if the coolant temperature rises above the specified value.

Coolant temperature	$\geq 110 \text{ }^\circ\text{C}$ ($\geq 230 \text{ }^\circ\text{F}$)
---------------------	---



Fuel Level Sensor Failure appears on the display if the fuel level indicator is faulty.


Low Fuel Level appears on the display if the fuel level reaches the reserve mark.

7.4 Indicator lamps



The indicator lamps offer additional information about the operating state of the motorcycle.

When the ignition is switched on, all indicator lamps light up briefly except for the turn signal indicator lamp and immobilizer indicator lamp.



As soon as a warning note for the operating safety has been detected, the general warning lamp  also flashes.






i Info

The malfunction indicator lamp always lights up as long as the engine is not running. If the engine is running and the malfunction indicator lamp lights up, stop (taking care not to endanger yourself or other road users in the process) and contact an authorized KTM workshop.


The ABS warning lamp lights up on models with ABS if a speed of approx. 6 km/h (approx. 4 mph) or more has been reached.

Possible states

	The turn signal indicator lamp flashes green simultaneously with the turn signal – The turn signal is switched on.
	Malfunction indicator lamp lights up yellow – The <u>OBD</u> has detected an error in the vehicle electronics.

	<p>The shift warning lights up/flashes red – The shift warning light flashes red when the set shift speed RPM1 is reached. The shift warning light lights up red when the set shift speed RPM2 is reached.</p>
	<p>The idle indicator lamp lights up green – The transmission is in idle.</p>
	<p>The high beam indicator lamp lights up blue – The high beam is switched on.</p>
	<p>The immobilizer indicator lamp lights up red – Status or error message for immobilizer.</p>
	<p>The general warning lamp flashes yellow – An operating safety/warning note was detected. This is also shown in the display.</p>

(Option: With ABS)

	<p>ABS warning lamp lights up yellow – Status or error messages relating to <u>ABS</u>.</p>
---	---

7 COMBINATION INSTRUMENT

7.5 Shift warning light



The shift warning light ❶ is located in the center above the display.



Info

The shift warning light can be configured in the **Trip 1** display and **Trip 2** display by keeping the **MODE** button pressed.

The shift warning light is always active during the running-in phase (up to 1,000 km / 621 miles). The shift warning light can only be deactivated, and the values for **RPM1** and **RPM2** can only be adjusted after this. The shift warning light flashes red at **RPM1** and the shift warning light lights up red at **RPM2**.



Info

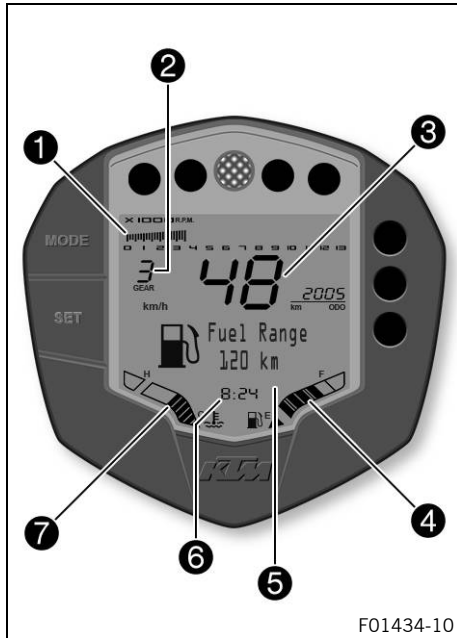
In sixth-gear, the shift warning light is deactivated when the engine is warm after the first service.

Coolant temperature	≤ 35 °C (≤ 95 °F)
ODO	< 1,000 km (< 620 mi)
The shift warning light always lights up at	6,500 rpm

Coolant temperature	> 35 °C (> 95 °F)
ODO	> 1,000 km (> 620 mi)
RPM1 shift warning light	flashes
RPM2 shift warning light	lights up

7 COMBINATION INSTRUMENT

7.6 Display



The tachometer **1** shows the engine speed in revolutions per minute.

The gear display **2** shows the engaged gear.

Speed **3** is shown in kilometers per hour **km/h** or in miles per hour **mph**.

The fuel level display is displayed in the **4** area.

The display **5** shows additional information.

The time appears in area **6**.

The coolant temperature display appears in area **7**.



Info

The time must be reset if the battery was disconnected from the vehicle or the fuse was removed.

The brightness of the displays is controlled by a brightness sensor in the combination instrument.

7.7 Fuel level display



The fuel tank contents are shown in area ❶ of the display. The fuel level indicator consists of bars. The more bars are lit, the more fuel is in the fuel tank.

i Info

If the fuel level is getting low, the warning note **Low Fuel Level** will also appear on the display. The fuel level is displayed with a slight delay to prevent the indicator from constantly moving while riding. The fuel level display is not updated while the side stand is folded out or the emergency off switch is switched off. Once the side stand is folded up and the emergency OFF switch is switched on, the fuel level display is next updated after 2 minutes. The fuel level display flashes if the combination instrument does not receive a signal from the fuel level sensor.

7.8 Coolant temperature indicator



The coolant temperature display is shown in segment **1** of the display.

The coolant temperature indicator consists of bars. The more bars that light up, the hotter the coolant.

Note

Engine failure Overheating damages the engine.

- If the coolant temperature warning is displayed, stop immediately and take care not to endanger yourself or other traffic participants in the process.
- Allow the engine and cooling system to cool down.
- Check and, if necessary, correct the coolant level on the cooling system while it is in a cooled state.

Info

When all bars light up, the warning note **High Coolant Temperature** appears on the display.

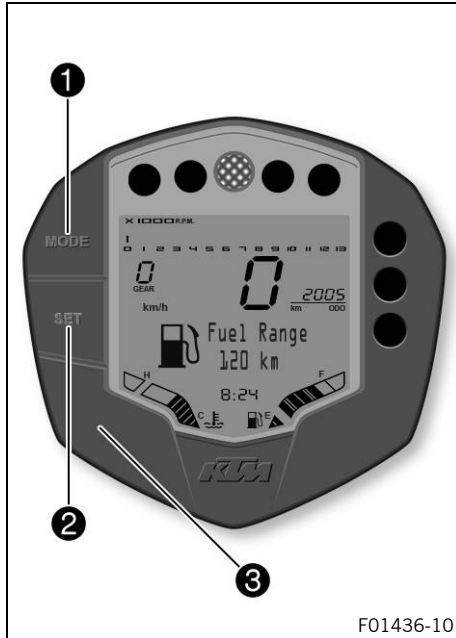
If the cooling system overheats, the maximum engine speed is limited.

Possible states

- The engine is cold – Up to three bars light up.
- Engine warm – Four to ten bars light up.

- Engine hot – Eleven to thirteen bars light up.
- Engine very hot – All thirteen bars light up.

7.9 Function buttons



Press the **MODE** button **1** to change display modes. Possible display modes are **TRIP F** (after reaching the fuel reserve level), **Error**, total distance traveled (**ODO**), distance 1 (**TRIP 1**) and distance 2 (**TRIP 2**).

Press the **SET** button **2** to change menus within a display mode. **(Option: With ABS)**

Note

Voiding of the government approval for road use and the insurance coverage If the ABS is switched off completely, the vehicle's approval for road use is invalidated.

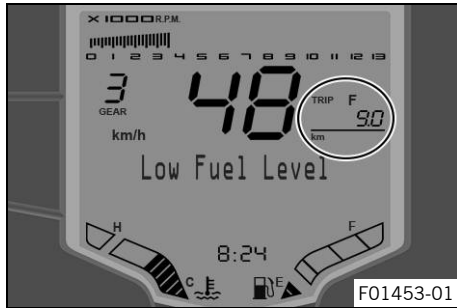
- Only operate the vehicle in closed-off areas remote from public road traffic if the ABS is switched off completely.

The ABS can be switched off with the **3** button.

(Option: Without ABS)

Button **3** has no function.

7.10 TRIP F display



- Press the **MODE** button briefly and repeatedly until **TRIP F** appears on the display.

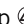
TRIP F shows the distance traveled since the fuel reserve level was reached.



Info

If the fuel level reaches the reserve mark, the warning note **Low Fuel Level** appears on the display. Pressing the **MODE** button briefly changes the display mode to **TRIP F** and starts to count from **0.0**, regardless of the previously active display mode.

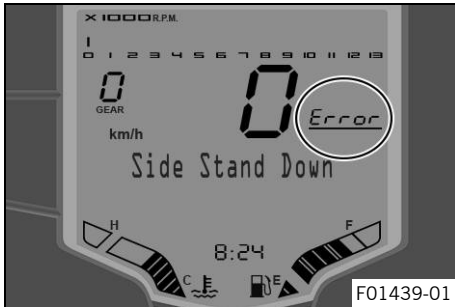
In the **TRIP F** display, the menus **Fuel Range** and **Actual F.C.** can also be displayed.

As soon as a warning note for the operating safety has been detected, the general warning lamp  also flashes.

Press the **SET** button briefly to change to the next menu in the display.

Press the **MODE** button briefly to change to the next display mode in the display.

7.11 Error display



- Press the **MODE** button briefly and repeatedly until **Info** appears on the display.

Error shows messages or warnings that have occurred.

i Info

The **Error** display is only shown if a message or warning is pending.

The warnings that have occurred are saved in the **Error** display until these are no longer active.

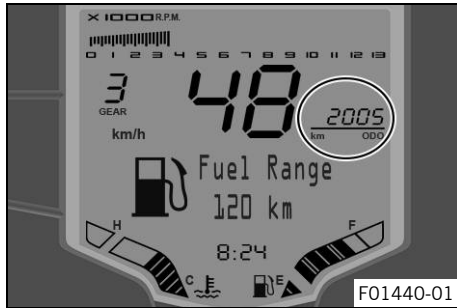
All warnings that have occurred are shown automatically in succession on the **Error** display.

Press the **SET** button briefly to change to the next warning note in the display.

Press the **MODE** button briefly to change to the next display mode in the display.

7 COMBINATION INSTRUMENT

7.12 ODO display



Press the **MODE** button briefly and repeatedly until **ODO** appears on the display.



Info

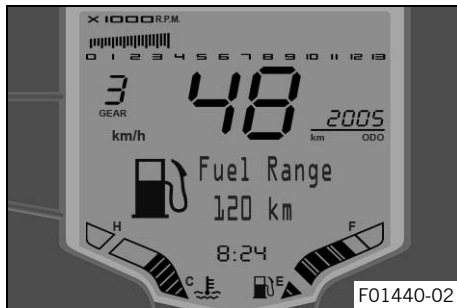
ODO shows the total distance covered.

This value is retained, even if the battery is disconnected from the vehicle or the fuse blows.

Press the **SET** button briefly to change to the next menu in the display.

Press the **MODE** button briefly to change to the next display mode in the display.

7.12.1 Fuel Range



- Press the **MODE** button briefly and repeatedly until **ODO** appears on the display.
- Press the **SET** button briefly and repeatedly until the desired menu appears.

The **Fuel Range** menu is identical on the **TRIP F** display, the **ODO** display, the **TRIP 1** display and the **TRIP 2** display.

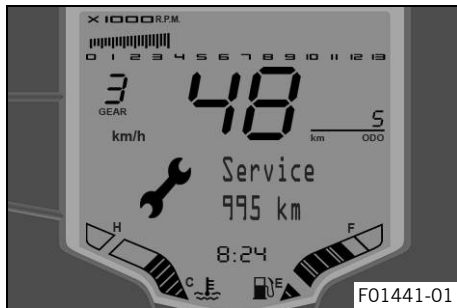
The range is shown in this menu.

i **Info**

The range depends on the average fuel consumption and the fuel quantity in the fuel tank. The range is displayed after several 100 meters of travel after the ignition is switched on.

Press the SET button briefly.	Next menu on the display
Press the MODE button briefly.	Next display mode on the display

7.12.2 Service



- Press the **MODE** button briefly and repeatedly until **ODO** appears on the display.
- Press the **SET** button briefly and repeatedly until the desired menu appears.

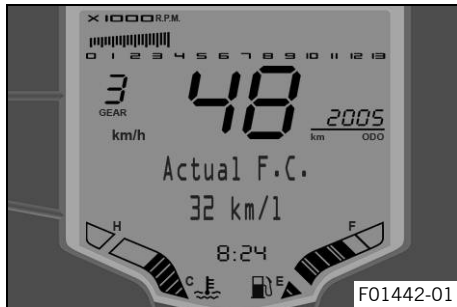
This menu shows the distance to the next service.

Press the SET button briefly.	Next menu on the display
--------------------------------------	--------------------------

7 COMBINATION INSTRUMENT

Press the MODE button briefly.	Next display mode on the display
---------------------------------------	----------------------------------

7.12.3 Actual F.C.



- Press the **MODE** button briefly and repeatedly until **ODO** appears on the display.
- Press the **SET** button briefly and repeatedly until the desired menu appears.

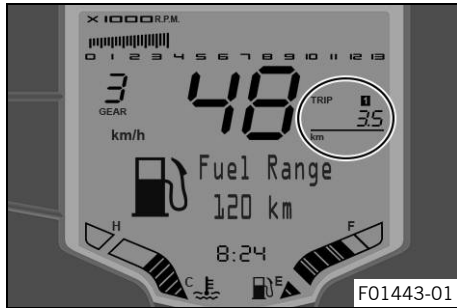
The **Actual F.C.** menu is identical on the display, the **TRIP F** display and the **ODO** display.

Current fuel consumption is shown in this menu.

i Info The current fuel consumption is displayed after several 100 meters of travel after the ignition is switched on.

Press the SET button briefly.	Next menu on the display
Press the MODE button briefly.	Next display mode on the display

7.13 TRIP 1 display



Press the **MODE** button briefly and repeatedly until **TRIP 1** appears on the display.

i Info

TRIP 1 shows the distance since the last reset, such as between two refueling stops. **TRIP 1** is always running and counts up to **9999.9**.

Press the **SET** button briefly to change to the next menu in the display.

Press the **MODE** button briefly to change to the next display mode in the display.

7.13.1 Time Trip 1



- Press the **MODE** button briefly and repeatedly until **TRIP 1** appears on the display.
- Press the **SET** button briefly and repeatedly until the desired menu appears.

Riding time 1 based on **TRIP 1** is shown in this menu.

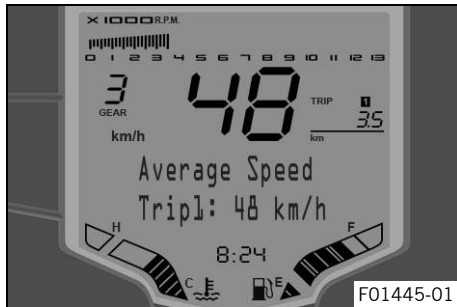
Press the **SET** button briefly.

Next menu on the display

7 COMBINATION INSTRUMENT

Press the SET button for 3 seconds.	Display of TRIP 1 is reset
Press the MODE button briefly.	Next display mode on the display

7.13.2 Average Speed Trip1

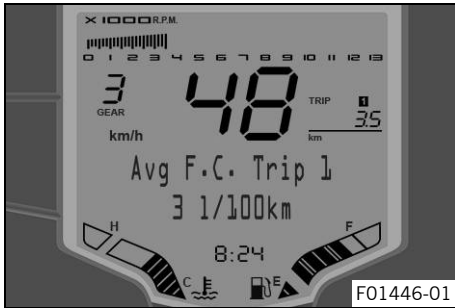


- Press the **MODE** button briefly and repeatedly until **TRIP 1** appears on the display.
- Press the **SET** button briefly and repeatedly until the desired menu appears.

Average speed 1 based on **TRIP 1** is shown in this menu.

Press the SET button briefly.	Next menu on the display
Press the SET button for 3 seconds.	Display of TRIP 1 is reset
Press the MODE button briefly.	Next display mode on the display

7.13.3 Avg F.C. Trip 1



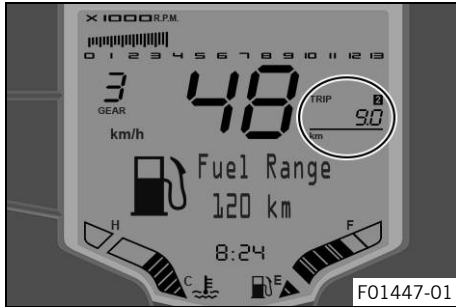
- Press the **MODE** button briefly and repeatedly until **TRIP 1** appears on the display.
- Press the **SET** button briefly and repeatedly until the desired menu appears.

Average fuel consumption 1 based on **TRIP 1** is shown in this menu.

Press the SET button briefly.	Next menu on the display
Press the SET button for 3 seconds.	Display of TRIP 1 is reset
Press the MODE button briefly.	Next display mode on the display

7 COMBINATION INSTRUMENT

7.14 TRIP 2 display



Press the **MODE** button briefly and repeatedly until **TRIP 2** appears on the display.

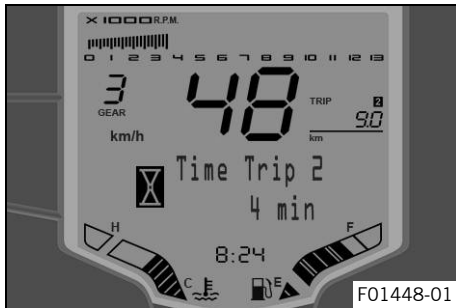


Info

TRIP 2 shows the distance since the last reset, such as between two refueling stops. **TRIP 2** is always running and counts up to **9999.9**.

Press the **SET** button briefly to change to the next menu. Press the **MODE** button briefly to change to the next display mode in the display.

7.14.1 Time Trip 2



- Press the **MODE** button briefly and repeatedly until **TRIP 2** appears on the display.
- Press the **SET** button briefly and repeatedly until the desired menu appears.

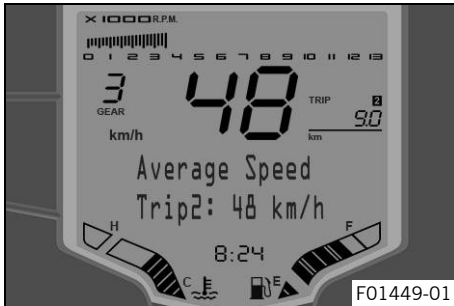
Riding time 2 based on **TRIP 2** is shown in this menu.

Press the **SET** button briefly.

Next menu on the display

Press the SET button for 3 seconds.	Display of TRIP 2 is reset
Press the MODE button briefly.	Next display mode on the display

7.14.2 Average Speed Trip2



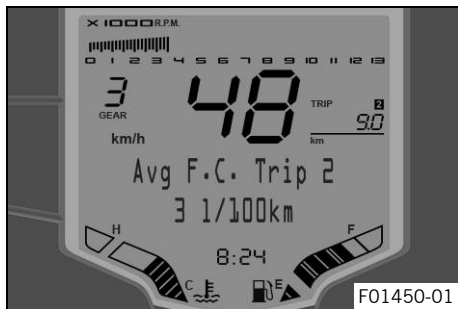
- Press the **MODE** button briefly and repeatedly until **TRIP 2** appears on the display.
- Press the **SET** button briefly and repeatedly until the desired menu appears.

Average speed 2 based on **TRIP 2** is shown in this menu.

Press the SET button briefly.	Next menu on the display
Press the SET button for 3 seconds.	Display of TRIP 2 is reset
Press the MODE button briefly.	Next display mode on the display

7 COMBINATION INSTRUMENT

7.14.3 Avg F.C. Trip 2



- Press the **MODE** button briefly and repeatedly until **TRIP 2** appears on the display.
- Press the **SET** button briefly and repeatedly until the desired menu appears.

Average fuel consumption 2 based on **TRIP 2** is shown in this menu.

Press the SET button briefly.	Next menu on the display
Press the SET button for 3 seconds.	Display of TRIP 2 is reset
Press the MODE button briefly.	Next display mode on the display

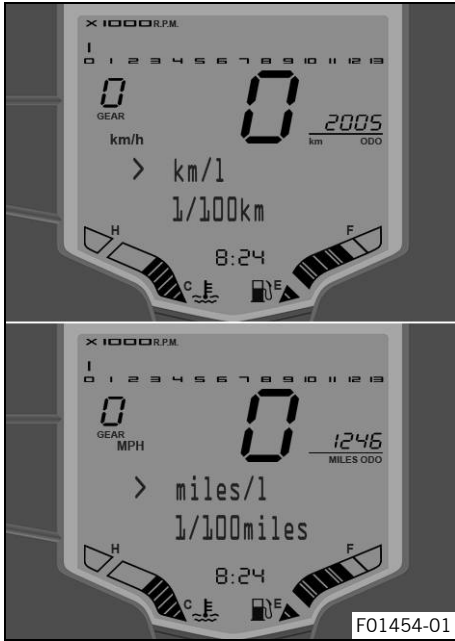
7.15 Setting the units



Info

Make the setting according to the country.

If you change the unit, the value **ODO** is retained and converted accordingly.



Condition

The motorcycle is stationary.

- Press the **MODE** button briefly and repeatedly until **ODO** appears on the display.
- Press the **MODE** button for 5 seconds.
- ✓ The units display appears.



Info

The units display is shown on the **ODO** display for each menu by keeping the **MODE** button pressed.

- Press the **SET** button briefly and repeatedly until the desired unit appears.
- Do not actuate **MODE** button and **SET** button for about 5 seconds.
- ✓ The units display disappears and the selected unit of the first line is adopted and saved.



Info

km or **miles** can be set as a length unit.

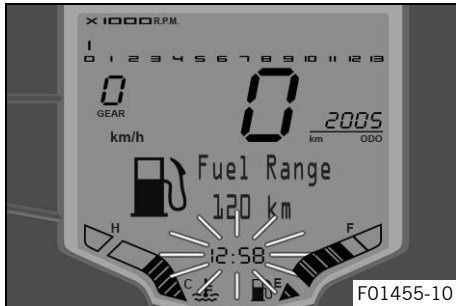
l, **USGa**, or **UKGa** can be set as a volume unit.

7.16 Setting the clock

i Info

The clock is displayed in 24-hour format.

The time must be reset if the battery was disconnected from the vehicle or the fuse was removed.



Condition

The motorcycle is stationary.

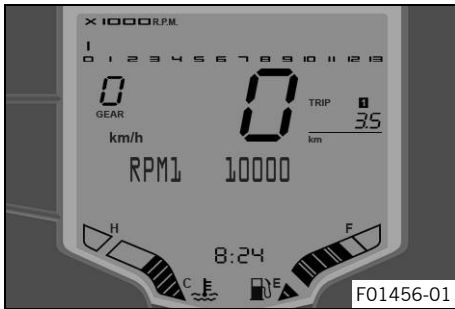
- Press the **MODE** button briefly and repeatedly until **ODO** appears on the display.
 - Press the **MODE** button and **SET** button simultaneously for 5 seconds.
- ✓ The time display begins to flash.

i Info

The clock can be set in the **ODO** display for each menu by keeping the **MODE** button and **SET** button pressed simultaneously.

- Set the hours display using the **MODE** button.
 - Set the minutes display using the **SET** button.
 - Press the **MODE** button and **SET** button simultaneously.
- ✓ The set time is adopted and saved.

7.17 Adjusting the shift speed RPM1



Condition

The motorcycle is stationary.

ODO > 1000 km (621 mi).

- Press the **MODE** button briefly and repeatedly until **TRIP 1** appears on the display.
- Press the **MODE** button for 5 seconds.
- ✓ The **RPM1** display appears.



Info

The **RPM1** display appears in the **TRIP 1** display for each menu by keeping the **MODE** button pressed. **RPM1** is the engine speed above which the shift warning light starts flashing. The engine speed can be set at intervals of 50. The shift speed **RPM1** can only be set up to maximum 50 revolutions per minute below the shift speed **RPM2**.

- Adjust the speed with the **MODE** button and the **SET** button.



Info

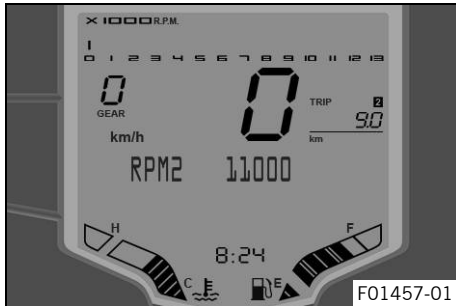
The **MODE** button increases the value.
The **SET** button decreases the value.

- Press the **MODE** button and **SET** button simultaneously.

7 COMBINATION INSTRUMENT

- ✓ The **RPM1** display disappears and the set shift speed **RPM1** is adopted and saved.

7.18 Adjusting the shift speed RPM2



Condition

The motorcycle is stationary.

ODO > 1000 km (621 mi).

- Press the **MODE** button briefly and repeatedly until **TRIP 2** appears on the display.
- Press the **MODE** button for 5 seconds.
- ✓ The **RPM2** display appears.

Info

The **RPM2** display appears in the **TRIP 2** display for each menu by keeping the **MODE** button pressed. **RPM2** is the engine speed above which the shift warning light lights up. The engine speed can be set at intervals of 50. The shift speed **RPM2** can only be set from a minimum of 50 revolutions per minute above the shift speed **RPM1**.

- Adjust the speed with the **MODE** button and the **SET** button.



Info

The **MODE** button increases the value.
The **SET** button decreases the value.

- Press the **MODE** button and **SET** button simultaneously.
 - ✓ The **RPM2** display disappears and the set shift speed **RPM2** is adopted and saved.



8.1 Advice on preparing for first use



Danger

Danger of accidents A rider who is not fit to ride poses a danger to him or herself and others.

- Do not operate the vehicle if you are not fit to ride due to alcohol, drugs or medication.
- Do not operate the vehicle if you are physically or mentally impaired.



Warning

Risk of injury Missing or poor protective clothing presents an increased safety risk.

- Wear appropriate protective clothing such as helmet, boots, gloves as well as trousers and a jacket with protectors on all rides.
- Always wear protective clothing that is in good condition and meets the legal regulations.



Warning

Danger of crashing Different tire tread patterns on the front and rear wheel impair the handling characteristic.

Different tire tread patterns can make the vehicle significantly more difficult to control.

- Make sure that only tires with a similar tire tread pattern are fitted to the front and rear wheel.



Warning

Danger of accidents Non-approved or non-recommended tires and wheels impact the handling characteristic.

- Only use tires/wheels approved by KTM with the corresponding speed index.

**Warning**

Danger of accidents New tires have reduced road grip.

The contact surface on new tires is not yet roughened.

- Run in new tires with moderate riding at alternating angles.
Running-in phase 200 km (124 mi)

**Info**

When using the vehicle, remember that others may feel disturbed by excessive noise.

- Ensure that the pre-delivery inspection work has been carried out by an authorized KTM workshop.
 - ✓ The delivery certificate and the Service and Manufacturer Warranty Booklet must be transferred with the vehicle.
- Read the entire Owner's Manual before riding for the first time.
- Get to know the controls.
- Get used to handling the motorcycle in a suitable area before undertaking a more demanding ride. Also, ride as slowly as possible to get a better feeling for the motorcycle.
- Hold the handlebar firmly with both hands and keep your feet on the footrests when riding.
- Run the engine in. (🔊 p. 74)



8 PREPARING FOR USE

8.2 Running in the engine

- During the running-in phase, do not exceed the specified engine speed.

Guideline

Maximum engine speed	
During the first: 1,000 km (620 mi)	7,500 rpm



Info

During the running-in phase, the shift warning light is set to a specified value and cannot be changed.

- Avoid fully opening the throttle!

8.3 Loading the vehicle



Warning

Danger of accidents Total weight and axle loads influence the handling characteristic.

The total weight consists of: motorcycle ready for operation and with a full tank, driver and passenger with protective clothing and helmet, and luggage.

- Do not exceed the maximum permissible overall weight or the axle loads.



Warning

Danger of accidents Improper mounting of cases or the tank rucksack impairs the handling characteristic.

- Mount and secure cases and tank rucksack according to the manufacturer's instructions.



Warning

Danger of accidents The luggage system will be damaged if it is overloaded.

- Read the manufacturer information on maximum payload when mounting cases.



Warning

Danger of accidents Luggage which has slipped impairs visibility.

If the tail light is covered, you are less visible to traffic behind you, especially when it is dark.

- Check that your luggage is fixed properly at regular intervals.



Warning

Danger of accidents A high payload alters the handling characteristic and increases the stopping distance.

- Adapt your speed to your payload.



Warning

Danger of accidents Pieces of luggage which have slipped impair the handling characteristic.

- Check that your luggage is fixed properly at regular intervals.

8 PREPARING FOR USE

- If luggage is carried, ensure it is fixed firmly as close as possible to the center of the vehicle and ensure even weight distribution between the front and rear wheels.
- Do not exceed maximum permissible weight and maximum permissible axle loads.

Guideline

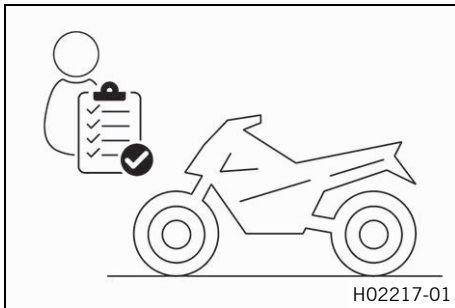
Maximum permissible overall weight	335 kg (739 lb.)
Maximum permissible front axle load	125 kg (276 lb.)
Maximum permissible rear axle load	210 kg (463 lb.)

9.1 Checks and maintenance measures when preparing for use



Info

Before every trip, check the condition of the vehicle and ensure that it is roadworthy. The vehicle must be in perfect technical condition when it is being operated.



- Check the engine oil level. (📖 p. 194)
- Check the brake fluid level of the front brake. (📖 p. 124)
- Check the rear brake fluid level. (📖 p. 133)
- Check the front brake linings. (📖 p. 128)
- Check the rear brake linings. (📖 p. 137)
- Check that the brake system is functioning properly.
- Check the coolant level. (📖 p. 180)
- Check for chain dirt accumulation. (📖 p. 111)
- Check the chain tension. (📖 p. 113)
- Check the tire condition. (📖 p. 150)
- Check the tire air pressure. (📖 p. 152)
- Check the settings of all controls and ensure that they can be operated smoothly.
- Check that the electrical system is functioning properly.
- Check that luggage is properly secured.
- Sit on the motorcycle and check the rear mirror setting.
- Check the fuel level.



9.2 Starting



Danger

Danger of poisoning Exhaust gases are toxic and inhaling them may result in unconsciousness and death.

- Always make sure there is sufficient ventilation when running the engine.
- Use an effective exhaust extraction system when starting or running the engine in an enclosed space.



Caution

Danger of accidents Electronic components and safety devices will be damaged if the battery is discharged or missing.

- Never operate the vehicle with a discharged battery or without a battery.

Note

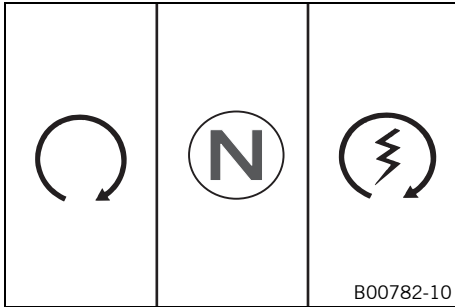
Engine damage Unfiltered intake air has a negative effect on the service life of the engine. Dust and dirt will enter the engine without an air filter.

- Never start to use the vehicle without an air filter.

Note

Engine damage High revving speed with a cold engine negatively impacts the lifespan of the engine.

- Always run the engine warm at a low speed.



- Unlock the steering. (🔑 p. 32)
- Sit on the vehicle, take the weight off of the side stand, and move up all the way.
- Turn the emergency OFF switch to the position ○.
- Switch on the ignition by turning the ignition key to the position ○.
 - ✓ After you switch on the ignition, you can hear the fuel pump working for about two seconds. The function check of the combination instrument is run at the same time.
- Shift gear to neutral.
 - ✓ The green idle indicator lamp **N** lights up.
- (Option: With ABS)**
 - ✓ The ABS warning lamp lights up and goes back out after starting off.
- Press the electric starter button (🔌).

Info

Do not press the electric starter button until the combination instrument function check is finished.

When starting, **DO NOT** open the throttle. If you open the throttle during the starting procedure, fuel is not injected by the engine management system and the engine cannot start.

Press the starter for a maximum of 5 seconds. Wait for a least 5 seconds before trying again.

This motorcycle is equipped with a safety starting system. You can only start the engine if the transmission is in neutral or if the clutch lever is pulled when a gear is engaged. If the side stand is folded out and you shift into gear and release the clutch, the engine stops.

9.3 Starting off

- Pull the clutch lever, engage 1st gear, release the clutch lever slowly, and simultaneously open the throttle carefully.

Tip

If the engine dies while starting off, only pull the clutch lever and press the electric starter button. You do not need to shift into neutral.

9.4 Shifting, riding



Warning

Danger of accidents Abrupt load alterations can cause the vehicle to get out of control.

- Avoid abrupt load alterations and sudden braking actions.
- Adapt your speed to the road conditions.



Warning

Danger of accidents If you change down at high engine speed, the rear wheel blocks and the engine races.

- Do not change into a low gear at high engine speed.



Warning

Danger of accidents An incorrect ignition key position causes malfunctions.

- Do not change the ignition key position while driving.



Warning

Danger of accidents Adjustments to the vehicle distract attention from traffic activity.

- Make all adjustments when the vehicle is at a standstill.

9 RIDING INSTRUCTIONS



Warning

Risk of injury The passenger may fall from the motorcycle if they conduct themselves incorrectly.

- Ensure that the passenger sits correctly on the passenger seat, places his or her feet on the passenger foot pegs and holds on to the rider or the grab handles.
- Note the regulations governing the minimum age of passengers in your country.



Warning

Danger of accidents A risky riding style constitutes a major risk.

- Comply with traffic regulations and ride defensively and with foresight to detect sources of danger as early as possible.



Warning

Danger of accidents Cold tires have reduced road grip.

- Ride the first miles carefully on every journey at moderate speed until the tires reach operating temperature.



Warning

Danger of accidents New tires have reduced road grip.

The contact surface on new tires is not yet roughened.

- Run in new tires with moderate riding at alternating angles.
Running-in phase 200 km (124 mi)

**Warning**

Danger of accidents Pieces of luggage which have slipped impair the handling characteristic.

- Check that your luggage is fixed properly at regular intervals.

**Warning**

Danger of accidents A fall can damage the vehicle more seriously than it may first appear.

- Check the vehicle after a fall as you do when preparing for use.

Note

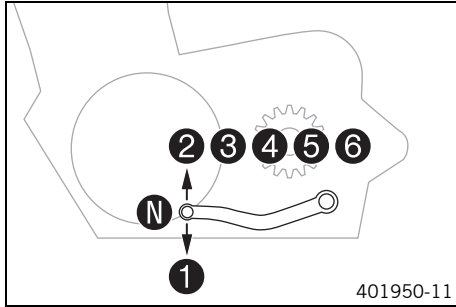
Engine failure Overheating damages the engine.

- If the coolant temperature warning is displayed, stop immediately and take care not to endanger yourself or other traffic participants in the process.
 - Allow the engine and cooling system to cool down.
 - Check and, if necessary, correct the coolant level on the cooling system while it is in a cooled state.
-
-

**Info**

If unusual noises occur while riding, stop immediately (taking care not to endanger yourself or other road users in the process), switch off the engine and contact an authorized KTM workshop.

9 RIDING INSTRUCTIONS




- Shift into a higher gear when conditions allow (incline, road situation, etc.).
- Release the throttle while simultaneously pulling the clutch lever, shift into the next gear, release the clutch lever, and open the throttle.

i Info

The gear positions can be seen in the figure. The neutral or idle position is between the first and second gears. First-gear is used for starting off or for steep inclines.

The operating temperature is reached when 4 bars of the temperature indicator light up.

-
- Only open the throttle as much as the engine can handle – abrupt throttle grip opening increases fuel consumption. Accelerate only up to a speed suitable for the road surface and weather conditions. Particularly in bends, do not shift, and accelerate very carefully.
 - Brake if necessary and close the throttle at the same time in order to shift down.
 - Pull the clutch lever and shift into a lower gear, release the clutch lever slowly, and open the throttle or shift again.
 - Switch off the engine if you are likely to be running at idle or stationary for a long time.

- If the malfunction indicator lamp  lights up during a trip, stop immediately (taking care not to endanger yourself or other road users in the process), switch off the engine, and contact an authorized KTM workshop.



9.5 Applying the brakes



Warning

Danger of accidents Moisture and dirt impair the brake system.

- Brake carefully several times to dry out and remove dirt from the brake linings and the brake discs.



Warning

Danger of accidents A spongy pressure point on the front or rear brake reduces braking efficiency.

- Check the brake system and do not continue riding until the problem is eliminated. (Your authorized KTM workshop will be glad to help.)



Warning

Danger of accidents The brake system fails in the event of overheating.

If the foot brake lever is not released, the brake linings drag continuously.

- Take your foot off the foot brake lever when you are not braking.

9 RIDING INSTRUCTIONS



Warning

Danger of accidents Higher total weight increases the stopping distance.

- Take the longer stopping distance into account when carrying a passenger or luggage with you.



Warning

Danger of accidents Salt on the roads impairs the brake system.

- Brake carefully several times to remove salt from the brake linings and the brake discs.

(Option: With ABS)



Warning

Danger of accidents ABS may increase the stopping distance in certain situations.

- Adjust application of the brakes to the respective riding situation and riding surface conditions.



Warning

Danger of accidents Excessively forceful application of the brakes blocks the wheels.

The ABS effectiveness is only ensured if it is switched on.

- Leave the ABS switched on in order to benefit from the protective effect.

-
- When braking, release the throttle and apply the front and rear brakes at the same time.

**Info**

When the ABS is enabled, maximum braking power can be achieved even with low road grip surfaces such as sandy, wet, or slippery terrain without locking the wheels.

**Warning**

Danger of accidents The rear wheel can lock due to the engine braking effect.

- Pull in the clutch, if you perform emergency or full braking, or if you brake on a slippery ground.

**Warning**

Danger of accidents Banked or laterally sloping ground reduces the maximum possible delay.

- If possible finish braking before going into a bend.
-

- Always finish braking before you go into a bend. Shift down to a lower gear appropriate to your speed.
- Use the braking effect of the engine on long downhill stretches. Shift back one or two gears, but do not overrev the engine when doing so. This means that significantly less braking is required and the brake system does not overheat.

(Option: Without ABS)

**Warning**

Danger of accidents Excessively forceful application of the brakes blocks the wheels.

- Adjust application of the brakes to the respective riding situation and riding surface conditions.
-

9 RIDING INSTRUCTIONS



Warning

Danger of accidents The rear wheel can lock due to the engine braking effect.

- Pull in the clutch, if you perform emergency or full braking, or if you brake on a slippery ground.



Warning

Danger of accidents Banked or laterally sloping ground reduces the maximum possible delay.

- If possible finish braking before going into a bend.

-
- When braking, release the throttle and apply the front and rear brakes at the same time.
 - On sandy, wet, or slippery surfaces, use the rear brake.
 - Always finish braking before you go into a bend. Shift down to a lower gear appropriate to your speed.
 - Use the braking effect of the engine on long downhill stretches. Shift back one or two gears, but do not overrev the engine when doing so. This means that significantly less braking is required and the brake system does not overheat.



9.6 Stopping, parking



Warning

Risk of injury People who act without authorization endanger themselves and others.

- Do not leave the vehicle unattended if the engine is running.
- Protect the vehicle against access by unauthorized persons.
- Lock the steering and remove the ignition key if you leave the vehicle unattended.



Warning

Danger of burns Some vehicle components become very hot when the vehicle is operated.

- Do not touch any parts such as the exhaust system, radiator, engine, shock absorber, or brake system before the vehicle parts have cooled down.
- Let the vehicle parts cool down before you perform any work on the vehicle.

Note

Material damage The vehicle may be damaged by incorrect procedure when parking.

Significant damage may be caused if the vehicle rolls away or falls over.

The components for parking the vehicle are designed only for the weight of the vehicle.

- Park the vehicle on a firm and level surface.
- Ensure that nobody sits on the vehicle when the vehicle is parked on a stand.

9 RIDING INSTRUCTIONS

Note

Fire hazard Hot vehicle components pose a fire hazard and explosion risk.

- Do not park the vehicle near to materials which are highly flammable or explosive.
 - Allow the vehicle to cool down before covering it.
-

- Apply the brakes on the motorcycle.
 - Shift gear to neutral.
 - Switch off the ignition by turning the ignition key to the position ☒.
-



Info

If the engine is switched off with the emergency OFF switch and the ignition remains switched on at the ignition lock, power continues to flow to most power consumers and the battery will discharge. You should therefore always switch off the engine with the ignition lock – the emergency OFF switch is intended for emergencies only.

- Park the motorcycle on a firm surface.
 - Swing the side stand forward with your foot as far as it will go and lean the vehicle on it.
 - Lock the steering. (📖 p. 31)
-

9.7 Transport

Note

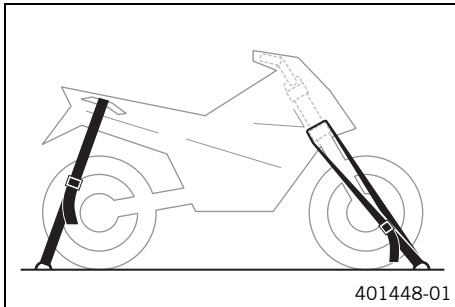
Danger of damage The parked vehicle can roll away or fall over.

- Park the vehicle on a firm and level surface.
-

Note

Fire hazard Hot vehicle components pose a fire hazard and explosion risk.

- Do not park the vehicle near to materials which are highly flammable or explosive.
 - Allow the vehicle to cool down before covering it.
-



- Switch off the engine and remove the ignition key.
- Use tension belts or other suitable devices to secure the motorcycle against accidents or falling over.

9.8 Refueling



Danger

Fire hazard Fuel is highly flammable.

The fuel in the fuel tank expands when warm and can escape if overfilled.

- Do not refuel the vehicle in the vicinity of open flames or lit cigarettes.
- Switch off the engine for refueling.
- Make sure that no fuel is spilled; particularly not on hot parts of the vehicle.
- If any fuel is spilled, wipe it off immediately.
- Observe the specifications for refueling.



Warning

Danger of poisoning Fuel is poisonous and a health hazard.

- Avoid skin, eye and clothing contact with fuel.
- Immediately consult a doctor if you swallow fuel.
- Do not inhale fuel vapors.
- In case of skin contact, rinse the affected area with plenty of water.
- Rinse the eyes thoroughly with water, and consult a doctor in case of fuel contact with the eyes.
- Change your clothing in case of fuel spills on them.

Note

Material damage Inadequate fuel quality causes the fuel filter to quickly become clogged.

In some countries and regions, the available fuel quality and cleanliness may not be sufficient. This will result in problems with the fuel system.

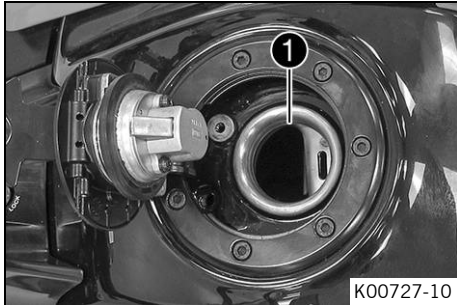
- Refuel only with clean fuel that meets the specified standards. (Your authorized KTM workshop will be glad to help.)



Note

Environmental hazard Improper handling of fuel is a danger to the environment.

- Do not allow fuel to enter the groundwater, the soil, or the sewage system.



- Switch off the engine.
- Open the filler cap. (📖 p. 33)
- Fill the fuel tank with fuel up to the lower edge ❶ of the fuel filler.

Total fuel tank capacity, approx.	13.4 l (3.54 US gal)	Super unleaded (ROZ 95/RON 95/PON 91) (📖 p. 233) (250 Duke EU/JP/AR/CN, CO/MY/PH)
Total fuel tank capacity, approx.		Gasohol 95 E20 (RON 95) (📖 p. 232) (250 Duke TH)

9 RIDING INSTRUCTIONS

Total fuel tank capacity, approx.	13.4 l (3.54 US gal)	Super unleaded, type C (ROZ 95/RON 95/PON 91) (📖 p. 233) (250 Duke BR)
-----------------------------------	-------------------------	--

- Close the filler cap. (📖 p. 35)



10.1 Additional information

Any further work that results from the compulsory work or from the recommended work must be ordered separately and invoiced separately.

Different service intervals may apply in your country, depending on the local operating conditions.

Individual service intervals and scopes may change in the course of technical developments. The most up-to-date service schedule can always be found on KTM Dealer.net. Your authorized KTM dealer will be happy to advise you.

10.2 Required work

	Every two years				
		Every year			
		every 15,000 km (9,300 mi)			
		every 7,500 km (4,650 mi)			
		after 1,000 km (620 mi)			
Read out the fault memory using the KTM diagnostics tool. 🛠️	○	●	●	●	●
Check that the electrical system is functioning properly. 🛠️	○	●	●	●	●
Change the engine oil and oil filter and clean the oil screens. 🛠️ (📖 p. 195)	○	●	●	●	●
Check the brake discs. (📖 p. 123)	○	●	●	●	●
Check the front brake linings. (📖 p. 128)	○	●	●	●	●
Check the rear brake linings. (📖 p. 137)	○	●	●	●	●
Check the brake lines for damage and leakage. 🛠️	○	●	●	●	●
Check the brake fluid level of the front brake. (📖 p. 124)	○	●	●	●	●

10 SERVICE SCHEDULE

	Every two years				
	Every year				
	every 15,000 km (9,300 mi)				
	every 7,500 km (4,650 mi)				
	after 1,000 km (620 mi)				
Check the rear brake fluid level. (🔧 p. 133)	○	●	●	●	●
Check the tire condition. (🔧 p. 150)	○	●	●	●	●
Check the tire air pressure. (🔧 p. 152)	○	●	●	●	●
Check the shock absorber and fork for leaks.	○	●	●	●	●
Clean the dust boots of the fork legs. (🔧 p. 106)		●	●		
Check the chain, rear sprocket, and engine sprocket. (🔧 p. 116)		●	●	●	●
Check the chain tension. (🔧 p. 113)	○	●	●	●	●
Check the coolant level. (🔧 p. 180)	○	●	●	●	●
Check that the radiator fan is functioning properly. 🐛	○	●	●	●	●
Change the air filter, clean the air filter box. 🐛		●	●		
Check that the throttle cables are undamaged, routed without sharp bends, and set correctly. 🐛	○	●	●	●	●
Check the cables for damage and routing without sharp bends. 🐛	○	●	●	●	●
Check the valve clearance. 🐛	○				
Check the valve clearance, change the spark plugs. 🐛			●		
Change the front brake fluid. 🐛					●
Change the rear brake fluid. 🐛					●

	Every two years				
	Every year				
	every 15,000 km (9,300 mi)				
	every 7,500 km (4,650 mi)				
	after 1,000 km (620 mi)				
Check the play of the steering head bearing. 🛠️	○	●	●	●	●
Check the headlight setting. (📖 p. 171)	○	●	●		
Final check: Check the vehicle is roadworthy and take a test ride. 🛠️	○	●	●	●	●
Read out the error memory after the test ride using the KTM diagnostics tool. 🛠️	○	●	●	●	●
Reset the service interval display. 🛠️	○	●	●	●	●
Make the service entry in the KTM Dealer.net and in the Service and Warranty Booklet. 🛠️	○	●	●	●	●

- One-time interval
- Periodic interval

10.3 Recommended work

	Every four years				
	Every year				
	every 30,000 km (18,600 mi)				
	every 7,500 km (4,650 mi)				
	after 1,000 km (620 mi)				
Check the frame. 🛠️			●		

10 SERVICE SCHEDULE

		Every four years			
		Every year			
		every 30,000 km (18,600 mi)			
		every 7,500 km (4,650 mi)			
		after 1,000 km (620 mi)			
Check the swingarm. 🛠️			●		
Check the swingarm bearing for play. 🛠️		●	●		
Check the wheel bearing for play. 🛠️		●	●		
Check the antifreeze. 🛠️	○	●	●	●	
Change the coolant. 🛠️ (📖 p. 186)					●
Empty the drainage hoses. 🛠️	○	●	●	●	●
Check all hoses (e.g. fuel, cooling, bleeder, drainage, etc.) and sleeves for cracking, leaks, and correct routing. 🛠️	○	●	●	●	●
Grease all moving parts (e.g. side stand, hand lever, chain, ...) and check for smooth operation. 🛠️	○	●	●	●	●
Check the screws and nuts for tightness. 🛠️	○	●	●	●	●

- One-time interval
- Periodic interval

11.1 Adjusting the spring preload of the shock absorber ↗



Warning

Danger of accidents Modifications to the suspension setting may seriously alter the handling characteristic.

- Ride slowly to start with after making adjustments to get the feel of the new handling characteristic.



Info

The spring preload defines the initial status of the spring operation on the shock absorber. The best spring preload setting is achieved when it is set for the weight of the rider and that of any luggage and a passenger, thus ensuring an ideal compromise between handling and stability.



- Adjust the spring preload by turning adjusting ring ①.

Guideline

Spring preload	
Standard	5 clicks
Hook wrench, shock absorber (90529077000)	
Extension for hook wrench (90129099025)	



Info

The spring preload can be set to 10 different positions.

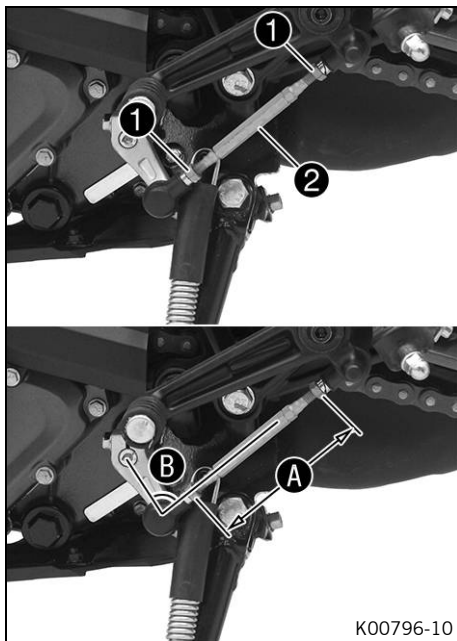


11 TUNING THE CHASSIS

11.2 Adjusting the shift lever

i Info

The adjustment range of the shift lever is limited.



- Loosen nuts **1**.
- Adjust the shift lever by turning shift rod **2**.

Guideline

Shift rod adjustment range A	110 ... 122 mm (4.33 ... 4.8 in)
--	-------------------------------------

i Info

Make the same adjustments on both sides.
At least five screw threads must be screwed into the seating.

- Check adjusting angle **B**.

Guideline

Adjusting angle B shift rod - linkage - shift lever	90°
---	-----

- Tighten nuts **1**.



Info

After the nuts have been tightened, the bearings of the shift rod must be central and aligned identically to each other in order to ensure freedom of movement in the bearing shells.

- Check the shift lever to ensure it is functioning properly and can move freely.



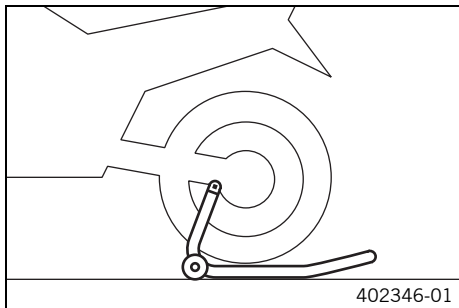
12 SERVICE WORK ON THE CHASSIS

12.1 Raising the motorcycle with the rear lifting gear

Note

Danger of damage The parked vehicle can roll away or fall over.

- Park the vehicle on a firm and level surface.



- Mount the supports of the lifting gear.
- Insert the adapter in the rear lifting gear.

Universal V adapter with bushings (61029955244)

Rear wheel work stand (69329955000)

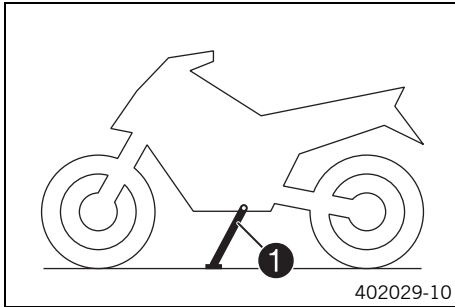
- Stand the motorcycle upright, align the lifting gear with the swingarm and the adapters, and lift the motorcycle.

12.2 Removing the rear of the motorcycle from the lifting gear

Note

Danger of damage The parked vehicle can roll away or fall over.

- Park the vehicle on a firm and level surface.



- Secure the motorcycle against falling over.
- Remove the rear lifting gear and lean the vehicle on side stand **1**.
- Remove bushings kit.

12.3 Lifting the motorcycle with the front lifting gear

Note

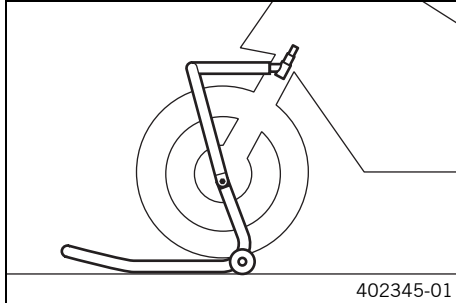
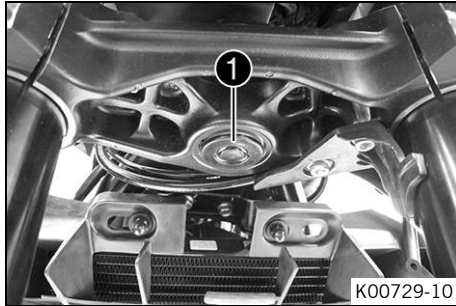
Danger of damage The parked vehicle can roll away or fall over.

- Park the vehicle on a firm and level surface.

Preparatory work

- Raise the motorcycle with the rear lifting gear. (🔧 p. 102)

12 SERVICE WORK ON THE CHASSIS



Condition

- Remove protection cap ❶.

- Move the handlebar to the straight-ahead position. Position the lifting gear.

Mounting pin (69329965030)

Front wheel work stand, large (69329965000)

Info

Always raise the motorcycle at the rear first.

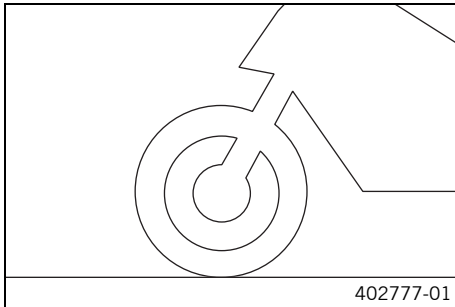
- Lift the motorcycle at the front.

12.4 Taking the motorcycle off the front lifting gear

Note

Danger of damage The parked vehicle can roll away or fall over.

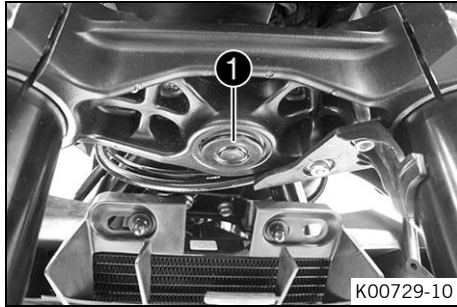
- Park the vehicle on a firm and level surface.



Main work

- Secure the motorcycle against falling over.
- Remove the front lifting gear.

12 SERVICE WORK ON THE CHASSIS



- Mount protection cap ❶.

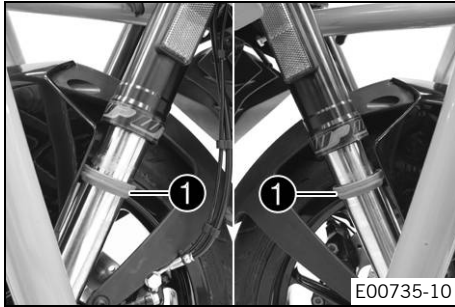
Finishing work

- Remove the rear of the motorcycle from the lifting gear. (📖 p. 102)

12.5 Cleaning the dust boots of the fork legs

Preparatory work

- Raise the motorcycle with the rear lifting gear. (📖 p. 102)
- Lift the motorcycle with the front lifting gear. (📖 p. 103)



Main work

- Push dust boots ❶ of both fork legs downward.



Info

The dust boots should remove dust and coarse dirt particles from the fork tubes. Over time, dirt can accumulate behind the dust boots. If this dirt is not removed, the oil seals behind can start to leak.



Warning

Danger of accidents Oil or grease on the brake discs reduces the braking effect.

- Always keep the brake discs free of oil and grease.
- Clean the brake discs with brake cleaner when necessary.

- Clean and oil the dust boots and inner fork tubes of both fork legs.

Universal oil spray (📖 p. 235)

- Press the dust boots back into their installation position.
- Remove excess oil.

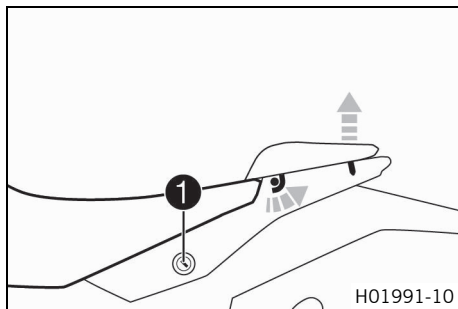
Finishing work

- Take the motorcycle off the front lifting gear. (📖 p. 105)

12 SERVICE WORK ON THE CHASSIS

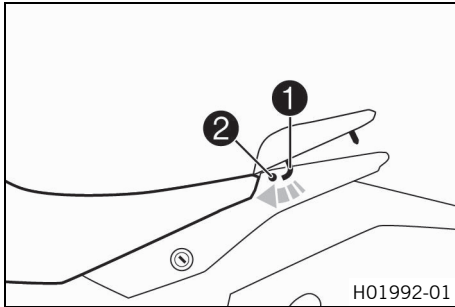
- Remove the rear of the motorcycle from the lifting gear.
(📖 p. 102)

12.6 Removing the passenger seat



- Insert the ignition key in seat lock ❶ and turn it clockwise.
- Raise the rear of the seat, push it towards the rear, and remove it upwards.
- Remove the ignition key from the seat lock.

12.7 Mounting the passenger seat



- Attach hooks **1** on the passenger seat to the hangers **2** on the subframe, and lower at the rear while pushing forward.
- Press down the passenger seat cover until it clicks into place.



Warning

Danger of accidents The seat can come loose from the anchoring if it is not mounted correctly.

- After assembly, check whether the seat is correctly locked and cannot be pulled up.

- Finally, check that the passenger seat is correctly mounted.

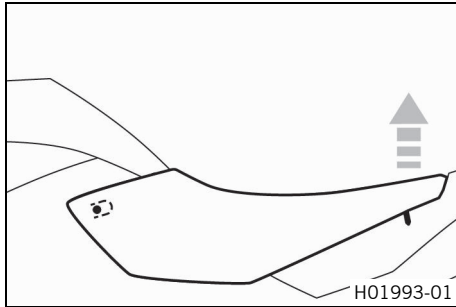


12.8 Removing the front rider's seat

Preparatory work

- Remove the passenger seat. (📖 p. 108)

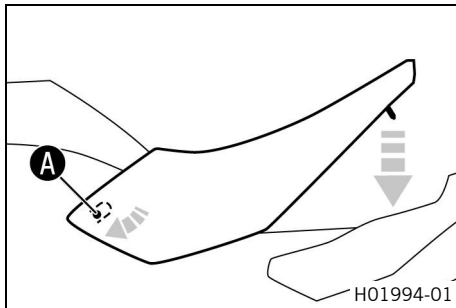
12 SERVICE WORK ON THE CHASSIS



Main work

- Raise the rear of the front rider's seat, pull it towards the rear, and remove it upwards.

12.9 Mounting the front rider's seat



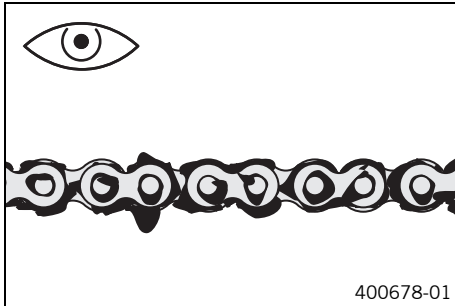
Main work

- Attach the front rider's seat in area **A** and lower at the rear.
- Finally, check that the driver's seat is correctly mounted.

Finishing work

- Mount the passenger seat. (📖 p. 109)

12.10 Checking for chain dirt accumulation



- Check the chain for coarse dirt accumulation.
 - » If the chain is very dirty:
 - Clean the chain. (📖 p. 111)

12.11 Cleaning the chain



Warning

Danger of accidents Oil or grease on the tires reduces the road grip.

- Remove the lubricant from the tires using a suitable cleaning agent.



Warning

Danger of accidents Oil or grease on the brake discs reduces the braking effect.

- Always keep the brake discs free of oil and grease.
- Clean the brake discs with brake cleaner when necessary.

12 SERVICE WORK ON THE CHASSIS



Note

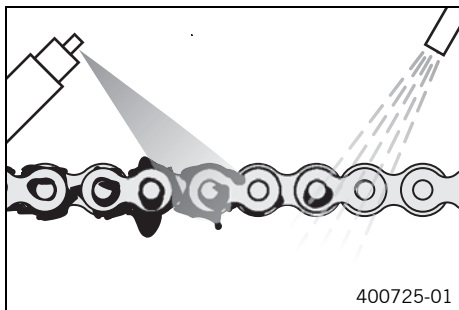
Environmental hazard Hazardous substances cause environmental damage.

- Dispose of oils, grease, filters, fuel, cleaning agents, brake fluid, etc., correctly and in compliance with the applicable regulations.



Info

The service life of the chain depends largely on its maintenance.



Preparatory work

- Raise the motorcycle with the rear lifting gear. (📖 p. 102)

Main work

- Clean the chain regularly.
- Rinse off loose dirt with a soft jet of water.
- Remove old grease remains with chain cleaner.

Chain cleaner (📖 p. 234)

- After drying, apply chain spray.

Chain lube for road use (📖 p. 234)

Finishing work

- Remove the rear of the motorcycle from the lifting gear. (📖 p. 102)

12.12 Checking the chain tension



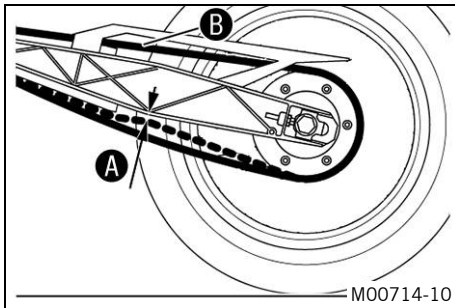
Warning

Danger of accidents Incorrect chain tension damages components and results in accidents.

If the chain is tensioned too much, the chain, engine sprocket, rear sprocket, transmission and rear wheel bearings wear more quickly. Some components may break if overloaded.

If the chain is too loose, the chain may fall off the engine sprocket or the rear sprocket. As a result, the rear wheel locks or the engine will be damaged.

- Check the chain tension regularly.
- Set the chain tension in accordance with the specification.



Preparatory work

- Raise the motorcycle with the rear lifting gear. (📖 p. 102)

Main work

- Shift gear to neutral.
- In the area of the chain sliding guard, press the chain upward toward the swingarm and determine chain tension **A**.



Info

Upper chain section **B** must be taut.
Chain wear is not always even, so you should repeat this measurement at different chain positions.

Chain tension	5 ... 7 mm (0.2 ... 0.28 in)
---------------	------------------------------

- » If the chain tension does not meet the specification:
 - Adjust the chain tension. (📖 p. 114)
- Remove the rear of the motorcycle from the lifting gear. (📖 p. 102)

12.13 Adjusting the chain tension



Warning

Danger of accidents Incorrect chain tension damages components and results in accidents.

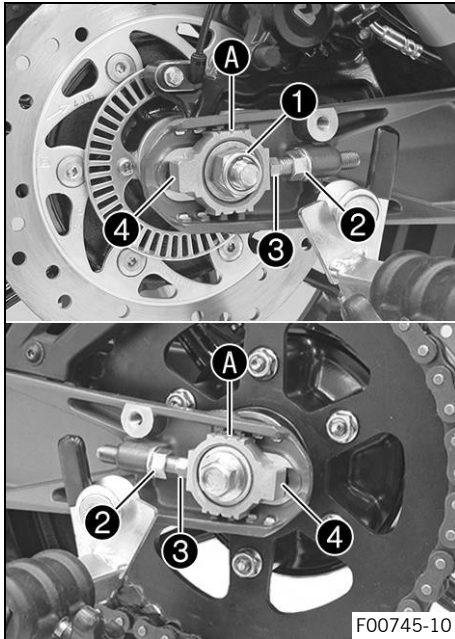
If the chain is tensioned too much, the chain, engine sprocket, rear sprocket, transmission and rear wheel bearings wear more quickly. Some components may break if overloaded.

If the chain is too loose, the chain may fall off the engine sprocket or the rear sprocket. As a result, the rear wheel locks or the engine will be damaged.

- Check the chain tension regularly.
- Set the chain tension in accordance with the specification.

Preparatory work

- Raise the motorcycle with the rear lifting gear. (📖 p. 102)
- Check the chain tension. (📖 p. 113)



Main work

- Loosen nut ①.
- Loosen nuts ②.
- Adjust the chain tension by turning adjusting screws ③ left and right.

Guideline

Chain tension	5 ... 7 mm (0.2 ... 0.28 in)
Turn the adjusting screws ③ on the left and right so that the markings on the left and right chain adjusters ④ are in the same position relative to the reference marks A. The rear wheel is then correctly aligned.	



Info

The upper part of the chain must be taut. Chain wear is not always even, so you should check the setting at different chain positions.

- Tighten nuts ②.
- Make sure that chain adjusters ④ are fitted correctly on adjusting screws ③.
- Tighten nut ①.

Guideline

Nut, rear wheel spindle	M14x1.5	98 Nm (72.3 lbf ft)
-------------------------	---------	---------------------

12 SERVICE WORK ON THE CHASSIS

Finishing work

- Remove the rear of the motorcycle from the lifting gear. (📖 p. 102)

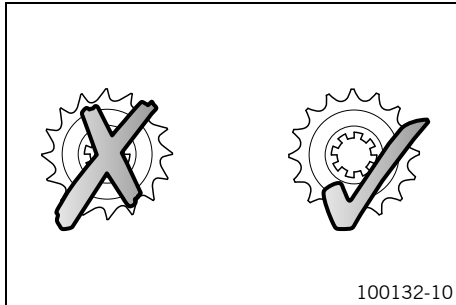
12.14 Checking the chain, rear sprocket, and engine sprocket

Preparatory work

- Raise the motorcycle with the rear lifting gear. (📖 p. 102)

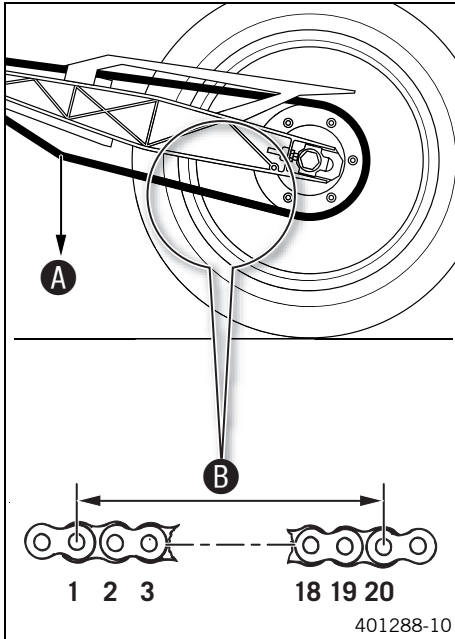
Main work

- Check the rear sprocket and engine sprocket for wear.
 - » If the rear sprocket and engine sprocket are worn:
 - Change the drivetrain kit. 🛠️



Info

The engine sprocket, rear sprocket and chain should always be replaced together.



- Shift gear to neutral.
- Pull the lower chain section with specified weight **A**.

Guideline

Weight, chain wear measurement	15 kg (33 lb.)
--------------------------------	----------------

- Measure distance **B** of 20 chain rollers in the lower chain section.



Info

Chain wear is not always even, so you should repeat this measurement at different chain positions.

Maximum distance B from 20 chain rollers at the longest chain section	301.6 mm (11.874 in)
--	----------------------

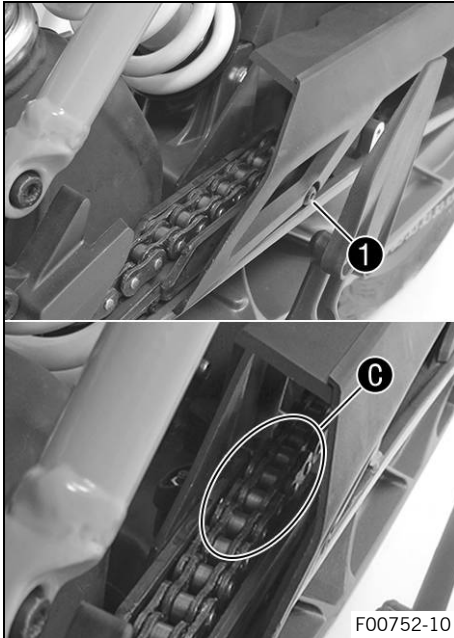
- » If distance **B** is greater than the specified measurement:
 - Change the drivetrain kit. 🛠️



Info

When a new chain is mounted, the rear sprocket and engine sprocket should also be changed. New chains wear out faster on old, worn sprockets.

12 SERVICE WORK ON THE CHASSIS



- Check the chain sliding guard for wear.
 - » If in area **C** by the chain sliding guard screw **1** is visible from above:
 - Change the chain sliding guard. 🛠️
- Check that the chain sliding guard is firmly seated.
 - » If the chain sliding guard is loose:
 - Tighten the screw of the chain sliding guard.

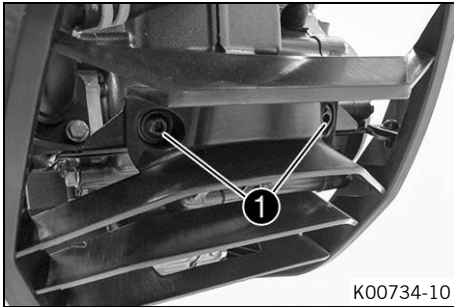
Guideline

Screw, chain sliding guard	M6	7 Nm (5.2 lbf ft)
----------------------------	----	-------------------

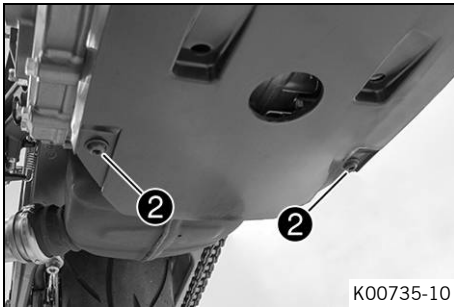
Finishing work

- Remove the rear of the motorcycle from the lifting gear.
(📖 p. 102)

12.15 Removing the front spoiler



- Remove screws ①.

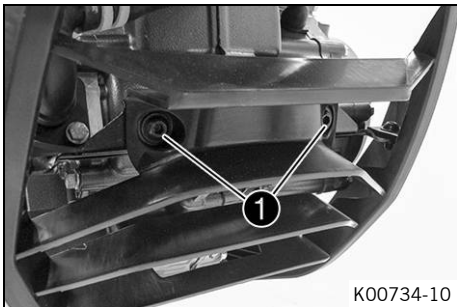


- Remove screws ②.
- Take off the front spoiler.

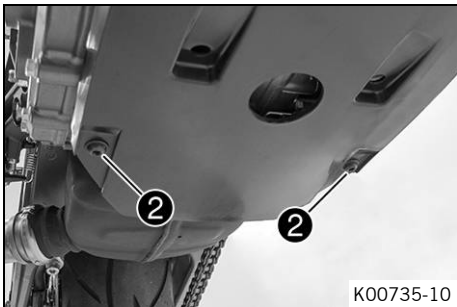


12 SERVICE WORK ON THE CHASSIS

12.16 Fitting front spoiler



- Position the front spoiler. Mount screws **1** but do not tighten yet.



- Mount and tighten screws **2**.

Guideline

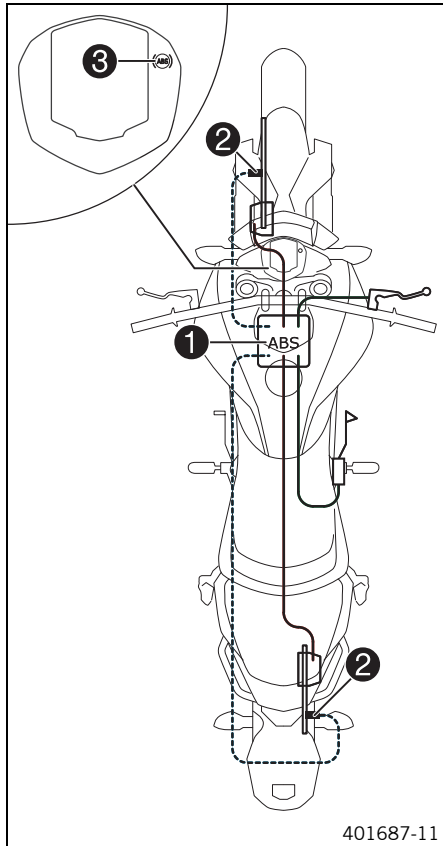
Screw, front spoiler rear	M6x9	9 Nm (6.6 lbf ft)
---------------------------	------	-------------------

- Tighten screws **1**.

Guideline

Screw, front spoiler	M6x13	9 Nm (6.6 lbf ft)
----------------------	-------	-------------------

13.1 Antilock braking system (ABS) (Option: With ABS)



ABS unit **1**, which consists of a hydraulic unit, ABS control unit, and return pump, is installed under the fuel tank. One wheel speed sensor **2** is located in each case on the front and the rear wheel.



Warning

Danger of accidents Changes to the vehicle impair the function of the ABS.

- Only allow the rear wheel to spin with the front brake applied away from public road traffic if the ABS is switched off.
- Do not make any changes to the suspension travel.
- Only use spare parts on the brake system which have been approved and recommended by KTM.
- Only use tires/wheels approved by KTM with the corresponding speed index.
- Maintain the specified tire air pressure.
- Service work and repairs must be performed professionally. (Your authorized KTM workshop will be glad to help.)

The ABS is a safety system that prevents locking of the wheels when driving straight ahead without the influence of lateral forces.



Warning

Danger of accidents Driving aids can only prevent a rollover within the physical limitations.

It is not always possible to compensate for extreme riding situations, for example with luggage loaded with a high center of gravity, varying road surfaces, steep descents or full braking without disengaging the gear.

- Adapt your riding style to the road conditions and your driving ability.

The ABS operates with two independent brake circuits (front and rear brakes). During normal operation, the brake system operates like a conventional brake system without ABS. When the ABS control unit detects a locking tendency in a wheel, ABS begins regulating the brake pressure. The regulating process causes a slight pulsing of the hand and foot brake levers.

The ABS warning lamp **3** must light up after the ignition is switched on and go out after starting off. If it does not go out after starting off or if it lights up while riding, this indicates a fault in the ABS. In this case, the ABS is no longer enabled and the wheels may lock during braking. The brake system itself stays functional; only ABS control is not available.

The ABS warning lamp may also light up if the rotating speeds of the front and rear wheels differ greatly under extreme riding con-

ditions, for example when making "wheelies" or if the rear wheel spins. This causes the ABS to switch off. To reactivate the ABS, stop the vehicle and switch off the ignition. The ABS is reactivated when the vehicle is switched on again. The ABS warning lamp goes out when you start off.

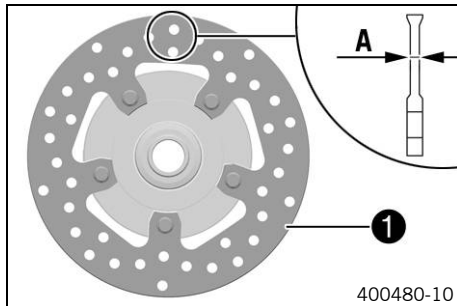
13.2 Checking the brake discs



Warning

Danger of accidents Worn-out brake discs reduce the braking effect.

- Make sure that worn-out brake discs are replaced immediately. (Your authorized KTM workshop will be glad to help.)



- Check the front and rear brake disc thickness at multiple points for the dimension **A**.



Info

Wear will reduce the thickness of the brake disc at contact surface **1** of the brake linings.

Brake discs - wear limit	
front	3.6 mm (0.142 in)
rear	3.6 mm (0.142 in)

- » If the brake disc thickness is less than the specified value.

- Change the front brake disc. 🛠️
- Change the rear brake disc. 🛠️
- Check the front and rear brake discs for damage, cracking, and deformation.
 - » If the brake disc exhibits damage, cracking, or deformation:
 - Change the front brake disc. 🛠️
 - Change the rear brake disc. 🛠️

13.3 Checking the brake fluid level of the front brake



Warning

Danger of accidents An insufficient brake fluid level will cause the brake system to fail.

If the brake fluid level drops below the **MIN** marking, the brake system is leaking or the brake linings are worn down.

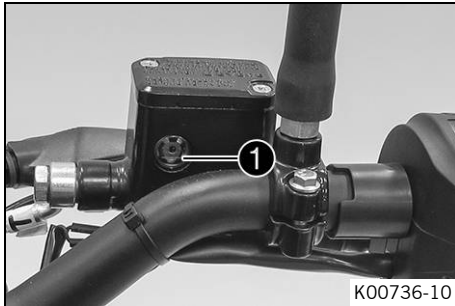
- Check the brake system and do not continue riding until the problem is eliminated. (Your authorized KTM workshop will be glad to help.)



Warning

Danger of accidents Old brake fluid reduces the braking effect.

- Make sure that brake fluid for the front and rear brake is changed in accordance with the service schedule. (Your authorized KTM workshop will be glad to help.)



- Move the brake fluid reservoir mounted on the handlebar to a horizontal position.
- Check the brake fluid level in viewer ❶.
 - » If the brake fluid level is below the **MIN** marking:
 - Add front brake fluid. 🛠️ (📖 p. 125)



13.4 Adding front brake fluid 🛠️



Warning

Danger of accidents An insufficient brake fluid level will cause the brake system to fail.

If the brake fluid level drops below the **MIN** marking, the brake system is leaking or the brake linings are worn down.

- Check the brake system and do not continue riding until the problem is eliminated. (Your authorized KTM workshop will be glad to help.)



Warning

Skin irritation Brake fluid causes skin irritation.

- Keep brake fluid out of the reach of children.
- Wear suitable protective clothing and safety glasses.
- Do not allow brake fluid to come into contact with the skin, the eyes or clothing.
- Consult a doctor immediately if brake fluid has been swallowed.
- Rinse the affected area with plenty of water in the event of contact with the skin.
- Rinse eyes thoroughly with water immediately and consult a doctor if brake fluid comes into contact with the eyes.
- If brake fluid spills on to your clothing, change the clothing.



Warning

Danger of accidents Old brake fluid reduces the braking effect.

- Make sure that brake fluid for the front and rear brake is changed in accordance with the service schedule. (Your authorized KTM workshop will be glad to help.)



Note

Environmental hazard Hazardous substances cause environmental damage.

- Dispose of oils, grease, filters, fuel, cleaning agents, brake fluid, etc., correctly and in compliance with the applicable regulations.
-

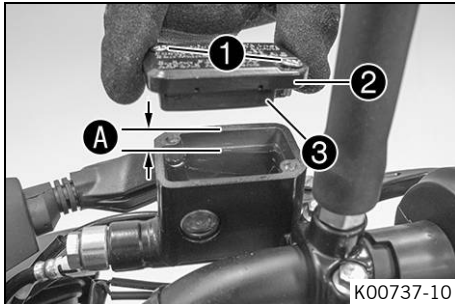


Info

Never use DOT 5 brake fluid. It is silicone-based and purple in color. Oil seals and brake lines are not designed for DOT 5 brake fluid.

Avoid contact between brake fluid and painted parts. Brake fluid attacks paint.

Only use clean brake fluid from a sealed container.



Preparatory work

- Check the front brake linings. (📖 p. 128)

Main work

- Move the brake fluid reservoir mounted on the handlebar to a horizontal position.
- Remove screws ①.
- Remove cover ② with membrane ③.
- Add brake fluid to level A.

Guideline

Level A	5 mm (0.2 in)
---------	---------------

Brake fluid DOT 4 / DOT 5.1 (📖 p. 230)
--

- Position the cover with the membrane. Mount and tighten the screws.



Info

Clean up overflowed or spilled brake fluid immediately with water.

13.5 Checking the front brake linings



Warning

Danger of accidents Worn-out brake linings reduce the braking effect.

- Ensure that worn-out brake linings are replaced immediately. (Your authorized KTM workshop will be glad to help.)

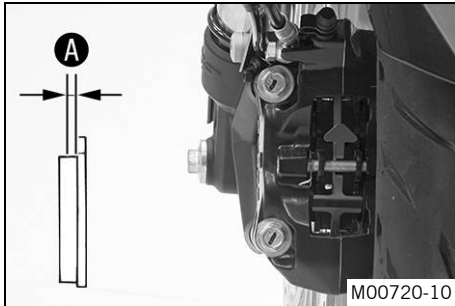


Warning

Danger of accidents Damaged brake discs reduce the braking effect.

If the brake linings are not changed in time, the brake lining carriers grind against the brake disc. As a consequence, the braking effect is greatly reduced and the brake discs are destroyed.

- Check the brake linings regularly.



- Check the brake linings for minimum thickness **A**.

Minimum thickness A	$\geq 1 \text{ mm } (\geq 0.04 \text{ in})$
----------------------------	---

- » If the minimum thickness is less than specified:
 - Change the front brake linings. 🛠️
- Check the brake linings for damage and cracking.
 - » If there is wear or tearing:
 - Change the front brake linings. 🛠️

13.6 Checking the free travel of foot brake lever



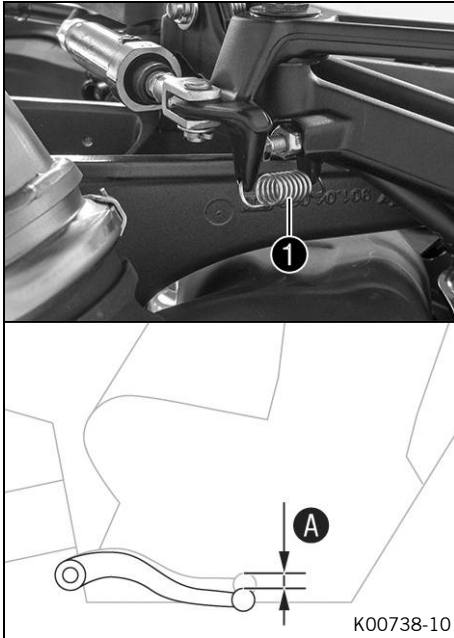
Warning

Danger of accidents The brake system fails in the event of overheating.

If there is no free travel on the foot brake lever, pressure builds up in the brake system on the rear brake.

- Set the free travel on the foot brake lever in accordance with the specification.

13 BRAKE SYSTEM



- Disconnect spring ❶.
- Move the foot brake lever back and forth between the end stop and the contact to the foot brake cylinder piston and check free travel ❸.

Guideline

Free travel at foot brake lever	3 ... 5 mm (0.12 ... 0.2 in)
---------------------------------	------------------------------

- » If the free travel does not meet specifications:
 - Adjust the free travel of the foot brake lever. 🛠️
(📖 p. 131)
- Reconnect spring ❶.

13.7 Adjusting the free travel of the foot brake lever



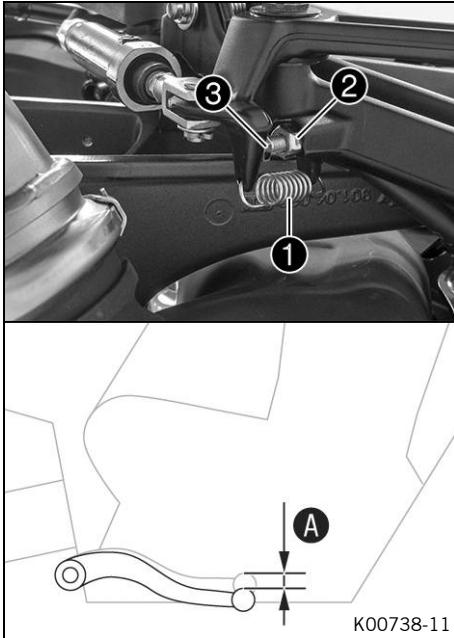
Warning

Danger of accidents The brake system fails in the event of overheating.

If there is no free travel on the foot brake lever, pressure builds up in the brake system on the rear brake.

- Set the free travel on the foot brake lever in accordance with the specification.

13 BRAKE SYSTEM



- Detach spring ①.
- Release nut ② and use screw ③ to adjust the specified free travel A.

Guideline

Free travel at foot brake lever	3 ... 5 mm (0.12 ... 0.2 in)
---------------------------------	------------------------------



Info

The range of adjustment is limited.

- Hold screw ③ and tighten nut ②.
- Attach spring ①.

13.8 Checking the rear brake fluid level



Warning

Danger of accidents An insufficient brake fluid level will cause the brake system to fail.

If the brake fluid level drops below the **MIN** marking, the brake system is leaking or the brake linings are worn down.

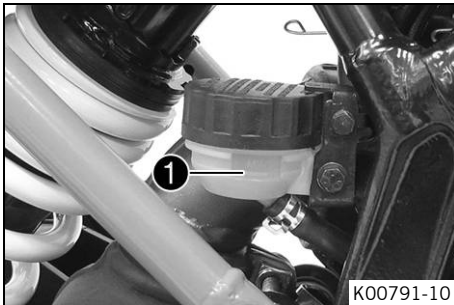
- Check the brake system and do not continue riding until the problem is eliminated. (Your authorized KTM workshop will be glad to help.)



Warning

Danger of accidents Old brake fluid reduces the braking effect.

- Make sure that brake fluid for the front and rear brake is changed in accordance with the service schedule. (Your authorized KTM workshop will be glad to help.)



- Stand the vehicle upright.
- Check the brake fluid level of the brake fluid reservoir.
 - » If the fluid level reaches the **MIN** marking ①:
 - Add rear brake fluid. 🛠️ (📖 p. 134)



13.9 Adding rear brake fluid



Warning

Danger of accidents An insufficient brake fluid level will cause the brake system to fail.

If the brake fluid level drops below the **MIN** marking, the brake system is leaking or the brake linings are worn down.

- Check the brake system and do not continue riding until the problem is eliminated. (Your authorized KTM workshop will be glad to help.)



Warning

Skin irritation Brake fluid causes skin irritation.

- Keep brake fluid out of the reach of children.
- Wear suitable protective clothing and safety glasses.
- Do not allow brake fluid to come into contact with the skin, the eyes or clothing.
- Consult a doctor immediately if brake fluid has been swallowed.
- Rinse the affected area with plenty of water in the event of contact with the skin.
- Rinse eyes thoroughly with water immediately and consult a doctor if brake fluid comes into contact with the eyes.
- If brake fluid spills on to your clothing, change the clothing.

**Warning**

Danger of accidents Old brake fluid reduces the braking effect.

- Make sure that brake fluid for the front and rear brake is changed in accordance with the service schedule. (Your authorized KTM workshop will be glad to help.)

**Note**

Environmental hazard Hazardous substances cause environmental damage.

- Dispose of oils, grease, filters, fuel, cleaning agents, brake fluid, etc., correctly and in compliance with the applicable regulations.

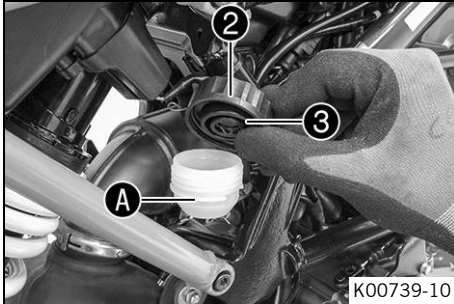
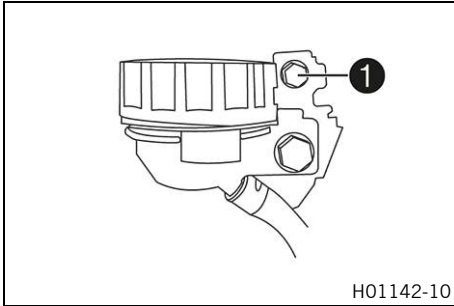
**Info**

Avoid contact between brake fluid and painted parts. Brake fluid attacks paint.
Only use clean brake fluid from a sealed container.

Preparatory work

- Check the rear brake linings. (📖 p. 137)

13 BRAKE SYSTEM



Condition

The screw cap is locked.

- Remove screw ① and take off the screw cap lock.

- Stand the vehicle upright.
- Remove screw cap ② with membrane ③.
- Add brake fluid to level A.

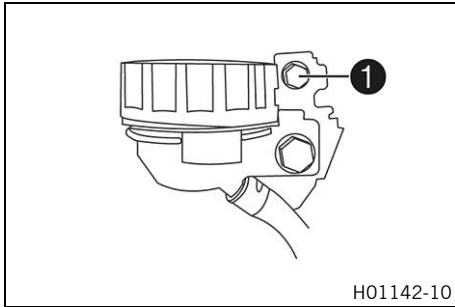
Brake fluid DOT 4 / DOT 5.1 (📖 p. 230)

- Mount screw cap with membrane.



Info

Clean up overflowed or spilled brake fluid immediately with water.



Condition

The screw cap is locked.

- Position the screw cap lock and mount and tighten screw **1**.

Guideline

Screw, compensating tank cap lock, rear brake	M5	9 Nm (6.6 lbf ft)
---	----	-------------------

13.10 Checking the rear brake linings



Warning

Danger of accidents Worn-out brake linings reduce the braking effect.

- Ensure that worn-out brake linings are replaced immediately. (Your authorized KTM workshop will be glad to help.)



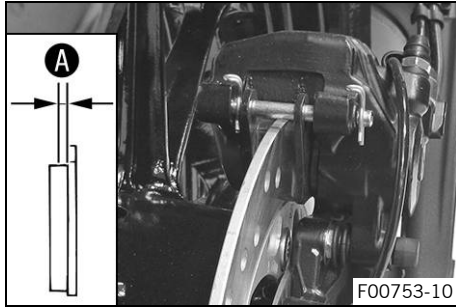
Warning

Danger of accidents Damaged brake discs reduce the braking effect.

If the brake linings are not changed in time, the brake lining carriers grind against the brake disc. As a consequence, the braking effect is greatly reduced and the brake discs are destroyed.

- Check the brake linings regularly.

13 BRAKE SYSTEM



- Check the brake linings for minimum thickness **A**.

Minimum thickness A	$\geq 1 \text{ mm } (\geq 0.04 \text{ in})$
----------------------------	---

- » If the minimum thickness is less than specified:
 - Change the rear brake linings. 🛠️
- Check the brake linings for damage and cracking.
 - » If there is wear or tearing:
 - Change the rear brake linings. 🛠️

14.1 Removing the front wheel ↩

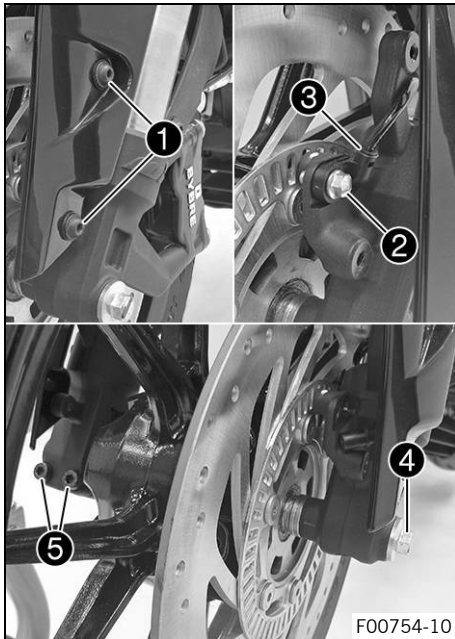
Preparatory work

- Raise the motorcycle with the rear lifting gear. (📖 p. 102)
- Lift the motorcycle with the front lifting gear. (📖 p. 103)

Main work

(Option: With ABS)

- Remove screws **1** with washers and push the fender to the side.
- Remove screw **2** and pull wheel speed sensor **3** out of the hole.
- Loosen screw **4** by several rotations.
- Loosen screws **5**.
- Press on screw **4** to push the wheel spindle out of the axle clamp.
- Remove screw **4**.



Warning

Danger of accidents Reduced braking effect caused by damaged brake discs.

- Always lay the wheel down in such a way that the brake discs are not damaged.

- Holding the front wheel, withdraw the wheel spindle. Take the front wheel out of the fork.

**Info**

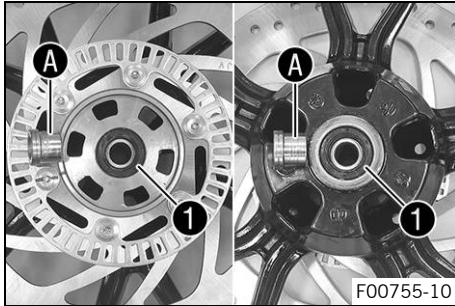
Do not pull the hand brake lever when the front wheel is removed.

14.2 Installing the front wheel ↴

**Warning**

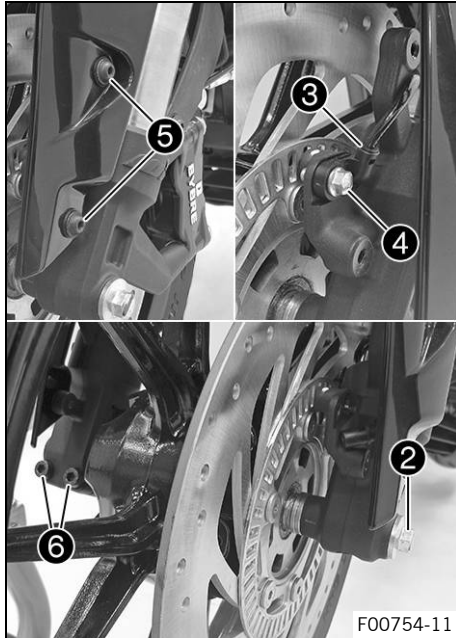
Danger of accidents Oil or grease on the brake discs reduces the braking effect.

- Always keep the brake discs free of oil and grease.
 - Clean the brake discs with brake cleaner when necessary.
-



- Check the wheel bearing for damage and wear.
 - » If the wheel bearing is damaged or worn:
 - Change front wheel bearing. 🛠️
 - Clean and grease shaft seal rings **1** and contact surfaces **A** of the spacers.
- Long-life grease (📖 p. 234)
- Insert the spacers.

14 WHEELS, TIRES



- Clean the thread of the wheel spindle and screw ②.
- Clean and grease wheel spindle.

Long-life grease (📖 p. 234)

- Position the front wheel and insert the wheel spindle.
✓ The brake linings are correctly positioned.
- Mount and tighten screw ②.

Guideline

Screw, front wheel spindle	M8	25 Nm (18.4 lbf ft)
----------------------------	----	---------------------

(Option: With ABS)

- Position wheel speed sensor ③ in the drill hole.
- Mount and tighten screw ④.

Guideline

Screw, wheel speed sensor holder	M6	8 Nm (5.9 lbf ft)
----------------------------------	----	-------------------

- Mount and tighten screws ⑤ with the washers.

Guideline

Screw, front fender	M6	7 Nm (5.2 lbf ft)
---------------------	----	-------------------

- Operate the hand brake lever repeatedly until the brake linings are in contact with the brake disc and there is a pressure point.
- Take the motorcycle off the front lifting gear. (📖 p. 105)

- Remove the rear of the motorcycle from the lifting gear. (📖 p. 102)
- Operate the front brake and compress the fork a few times firmly.
 - ✓ The fork legs straighten.
- Tighten screws ⑥.

Guideline

Screw, fork stub	M8	15 Nm (11.1 lbf ft)
------------------	----	---------------------



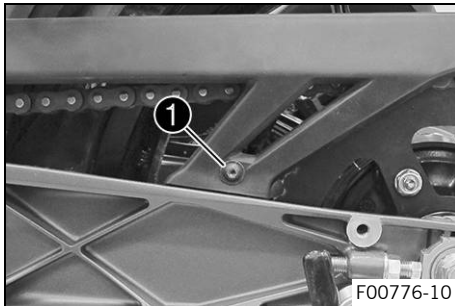
14.3 Removing the rear wheel 🛠️

Preparatory work

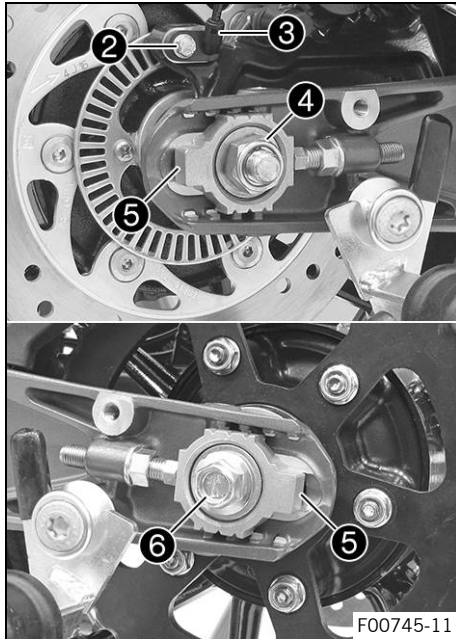
- Raise the motorcycle with the rear lifting gear. (📖 p. 102)

Main work

- Remove screw ①.



14 WHEELS, TIRES



(Option: With ABS)

- Remove screw ② and pull wheel speed sensor ③ out of the hole.
- Remove nut ④ and washer.
- Remove chain adjuster ⑤.
- Holding the rear wheel, withdraw wheel spindle ⑥ with the washer and chain adjuster ⑤.
- Push the rear wheel forward as far as possible and take the chain off the rear sprocket.
- Push chain guard to the side.



Warning

Danger of accidents Reduced braking effect caused by damaged brake discs.

- Always lay the wheel down in such a way that the brake discs are not damaged.

- Pull the rear wheel back and take it out of the swingarm.



Info

Do not operate the foot brake lever when the rear wheel is removed.

14.4 Installing the rear wheel 🛠️



Warning

Danger of accidents Oil or grease on the brake discs reduces the braking effect.

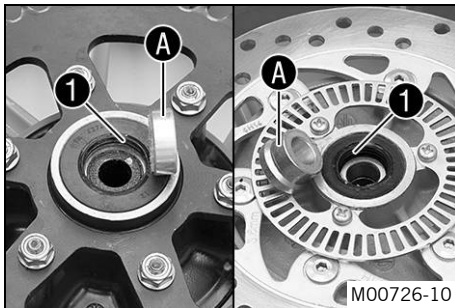
- Always keep the brake discs free of oil and grease.
- Clean the brake discs with brake cleaner when necessary.



Warning

Danger of accidents There is no braking effect to start with at the rear brake after installing the rear wheel.

- Actuate the foot brake several times before going on a ride until you can feel a firm pressure point.



Main work

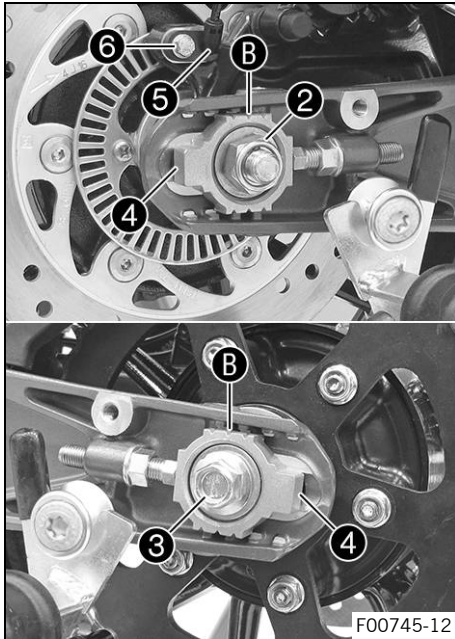
- Check the rear hub rubber dampers. 🛠️ (📖 p. 148)
- Check the wheel bearing for damage and wear.
 - » If the wheel bearing is damaged or worn:
 - Change the rear wheel bearing. 🛠️
- Clean and grease shaft seal rings **1** and contact surfaces **A** of the spacers.

Long-life grease (📖 p. 234)

- Clean the thread of the wheel spindle and axle nut.
- Clean and grease wheel spindle.

Long-life grease (🔧 p. 234)

- Clean the contact areas of the brake caliper support and swingarm.
- Mount the rubber damper and rear sprocket carrier on the rear wheel.
- Position the rear wheel.
 - ✓ The brake linings are correctly positioned.
- Push the rear wheel forward as far as possible and lay the chain on the rear sprocket.



- Pull the rear wheel back and mount wheel spindle **3** with the washer and chain adjuster **4**.

Guideline

Mount left and right chain adjusters **4** in the same position.

- Mount nut **2** and washer.
- Push the rear wheel forward so that the chain adjusters are in contact with the screws, and tighten nut **2**.

Guideline

In order for the rear wheel to be correctly aligned, the markings on the left and right chain adjusters must be in the same position relative to reference markings **B**.

Nut, rear wheel spindle	M14x1.5	98 Nm (72.3 lbf ft)
-------------------------	---------	---------------------

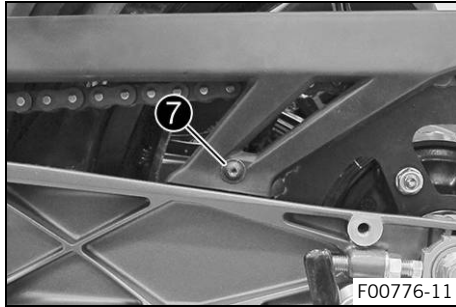
(Option: With ABS)

- Position wheel speed sensor **5** in the drill hole.
- Mount and tighten screw **6**.

Guideline

Screw, wheel speed sensor holder	M6	8 Nm (5.9 lbf ft)
----------------------------------	----	-------------------

14 WHEELS, TIRES



- Mount and tighten screw 7.

Guideline

Screw, chain guard	EJOT PT® K60x30	7 Nm (5.2 lbf ft)
--------------------	--------------------	-------------------

Finishing work

- Remove the rear of the motorcycle from the lifting gear. (📖 p. 102)
- Check the chain tension. (📖 p. 113)

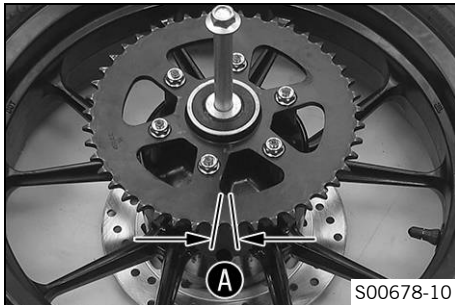
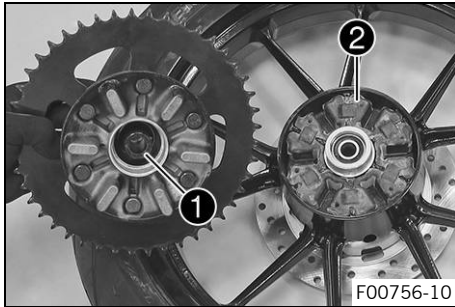
14.5 Checking the rear hub rubber dampers 🛠️

i Info

The engine power is transmitted from the rear sprocket to the rear wheel via 6 rubber dampers. They eventually wear out during operation. If the rubber dampers are not changed in time, the rear sprocket carrier and the rear hub will be damaged.

Preparatory work

- Raise the motorcycle with the rear lifting gear. (📖 p. 102)
- Remove the rear wheel. 🛠️ (📖 p. 143)



Main work

- Check bearing ①.
 - » If the bearing is damaged or worn:
 - Change the bearing. 🛠️
- Check the rubber dampers ② of the rear hub for damage and wear.
 - » If the rubber dampers of the rear hub are damaged or worn:
 - Change all rubber dampers in the rear hub.
- Lay the rear wheel on a workbench with the rear sprocket facing upwards and insert the wheel spindle in the hub.
- To check the play A, hold the rear wheel tight and try to rotate the rear sprocket.



Info

Measure the play on the outside of the rear sprocket.

Play in rubber dampers, rear wheel	$\leq 5 \text{ mm } (\leq 0.2 \text{ in})$
------------------------------------	--

- » If play A is larger than the specified value:
 - Change all rubber dampers in the rear hub.

Finishing work

- Install the rear wheel. 🛠️ (📖 p. 145)

- Remove the rear of the motorcycle from the lifting gear. (📖 p. 102)
- Check the chain tension. (📖 p. 113)

14.6 Checking the tire condition



Warning

Danger of accidents If a tire bursts while riding, the vehicle becomes uncontrollable.

- Ensure that damaged or worn tires are replaced immediately. (Your authorized KTM workshop will be glad to help.)



Warning

Danger of crashing Different tire tread patterns on the front and rear wheel impair the handling characteristic.

Different tire tread patterns can make the vehicle significantly more difficult to control.

- Make sure that only tires with a similar tire tread pattern are fitted to the front and rear wheel.



Warning

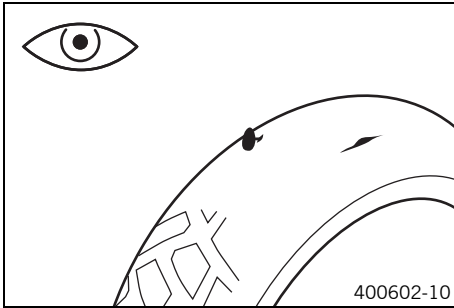
Danger of accidents Non-approved or non-recommended tires and wheels impact the handling characteristic.

- Only use tires/wheels approved by KTM with the corresponding speed index.

i Info

The type, condition, and air pressure of the tires all have a major impact on the handling of the motorcycle.

Worn tires have a negative effect on handling characteristics, especially on wet surfaces.



- Check the front and rear tires for cuts, run-in objects, and other damage.
 - » If the tires have cuts, run-in objects, or other damage:
 - Change the tires. 🛠️
- Check the tread depth.

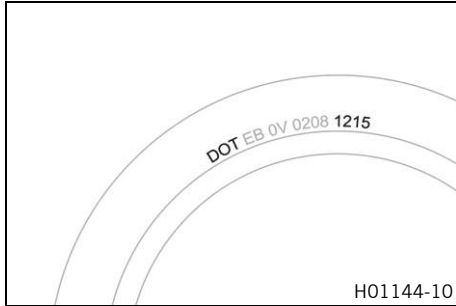
i Info

Observe the minimum profile depth required by national law.

Minimum tread depth	≥ 2 mm (≥ 0.08 in)
---------------------	--------------------

- » If the tread depth is less than the minimum tread depth:
 - Change the tires. 🛠️

14 WHEELS, TIRES



- Check the tire age.



Info

The tire date of manufacture is usually contained in the tire label and is indicated by the last four digits of the **DOT** number. The first two digits indicate the week of manufacture and the last two digits the year of manufacture.

KTM recommends that the tires be changed after 5 years at the latest, regardless of the actual state of wear.

- » If the tires are more than 5 years old:
 - Change the tires. 🛠️

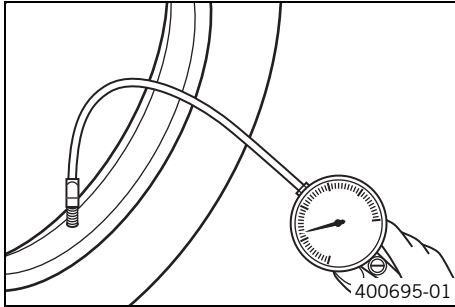
14.7 Checking the tire air pressure



Info

Low tire air pressure leads to abnormal wear and overheating of the tire.

Correct tire air pressure ensures optimal riding comfort and maximum tire service life.



- Remove the dust cap.
- Check tire air pressure when the tires are cold.

Tire air pressure, solo	
front	2.0 bar (29 psi)
rear	2.0 bar (29 psi)

Tire air pressure with passenger / full payload	
front	2.0 bar (29 psi)
rear	2.2 bar (32 psi)

- » If the tire air pressure does not meet specifications:
 - Correct the tire air pressure.
- Mount the dust cap.



15.1 Removing the battery ↩



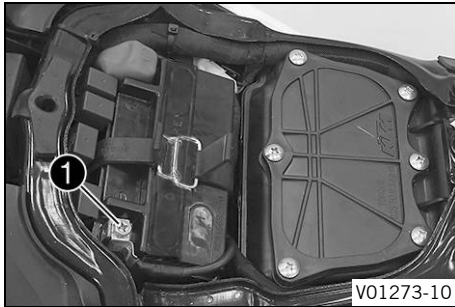
Warning

Risk of injury Battery acid and battery gases cause serious chemical burns.

- Keep batteries out of the reach of children.
- Wear suitable protective clothing and safety glasses.
- Avoid contact with battery acid and battery gases.
- Keep sparks or open flames away from the battery.
- Only charge batteries in well-ventilated rooms.
- Rinse the affected area immediately with plenty of water in the event of contact with the skin.
- Rinse eyes with water for at least 15 minutes and consult a doctor immediately if battery acid and battery gases get into the eyes.

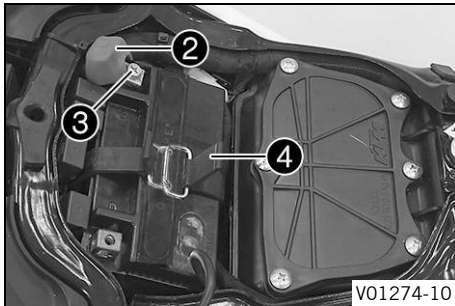
Preparatory work

- Remove the passenger seat. (📖 p. 108)
- Remove the front rider's seat. (📖 p. 109)



Main work

- Disconnect negative cable ① from the battery.



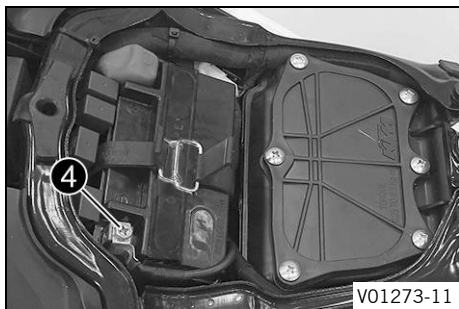
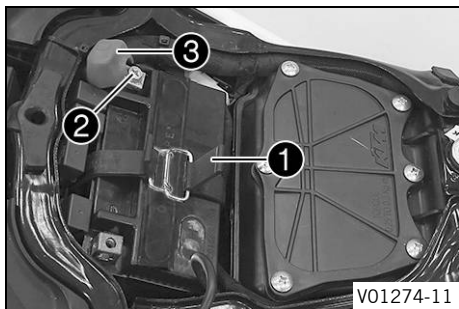
- Pull back positive terminal cover ②.
- Disconnect positive cable ③ from the battery.
- Detach rubber band ④.
- Pull the battery up and out of the battery holder.



Info

Never operate the motorcycle with a discharged battery or without a battery. In both cases, electrical components and safety devices can be damaged. The vehicle will therefore no longer be roadworthy.

15.2 Installing the battery



Main work

- Position the battery in the battery holder.

Battery (ETZ-9-BS) (📖 p. 221)

- Reconnect rubber band ①.
- Position positive cable ② and mount and tighten the screw.
- Position positive terminal cover ③.

- Position negative cable ④; mount and tighten the screw.

Finishing work

- Mount the front rider's seat. (📖 p. 110)
- Mount the passenger seat. (📖 p. 109)

- Set the clock. (📖 p. 68)



15.3 Recharging the battery ↘



Warning

Risk of injury Battery acid and battery gases cause serious chemical burns.

- Keep batteries out of the reach of children.
- Wear suitable protective clothing and safety glasses.
- Avoid contact with battery acid and battery gases.
- Keep sparks or open flames away from the battery.
- Only charge batteries in well-ventilated rooms.
- Rinse the affected area immediately with plenty of water in the event of contact with the skin.
- Rinse eyes with water for at least 15 minutes and consult a doctor immediately if battery acid and battery gases get into the eyes.



Note

Environmental hazard Batteries contain environmentally-hazardous materials.

- Do not dispose of batteries as household waste.
- Dispose of batteries at a collection point for used batteries.

i Info

Even when there is no load on the battery, it discharges steadily.

The charging level and the method of charging are very important for the service life of the battery.

Rapid recharging with a high charging current shortens the service life of the battery.

If the charging current, charging voltage, or charging time is exceeded, electrolyte escapes through the safety valves. This reduces the battery capacity.

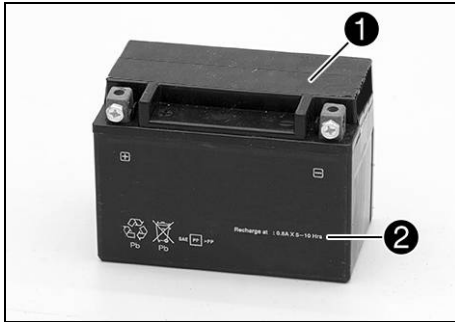
If the battery is depleted by repeated starting, the battery must be charged immediately.

If the battery is left in a discharged state for an extended period, over-discharge and sulfating occurs, destroying the battery.

The battery is maintenance-free. The acid level does not have to be checked.

Preparatory work

- Switch off the ignition by turning the ignition key to the position \otimes .
- Remove the passenger seat. (📖 p. 108)
- Remove the front rider's seat. (📖 p. 109)
- Disconnect the negative cable of the battery to avoid damage to the onboard electronics.



M00729-10

Main work

- Connect the battery charger to the battery. Switch on the battery charger.

Battery charger (58429074000)

In addition, this battery charger can be used to test the open-circuit voltage, the starting ability of the battery, and the alternator. It is impossible to overcharge the battery using this device.



Info

Never remove cover **1**.

Charge the battery to a maximum of 10 % of the capacity specified on battery housing **2**.

- Switch off the battery charger after charging and disconnect from the battery.

Guideline

The charging current, charging voltage, and charging time must not be exceeded.	
Charge the battery regularly when the motorcycle is not in use	3 months

- Position the negative cable and mount and tighten the screw.
- Position the negative terminal cover.

Finishing work

- Mount the front rider's seat. (📖 p. 110)
- Mount the passenger seat. (📖 p. 109)
- Set the clock. (📖 p. 68)

15.4 Changing the ABS fuses (Option: With ABS)



Warning

Fire hazard Incorrect fuses overload the electrical system.

- Only use fuses with the required ampere value.
- Do not bypass or repair fuses.

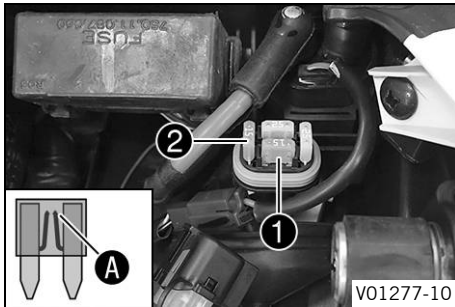


Info

Two fuses for the ABS are located under the passenger seat. These fuses protect the return pump and the hydraulic unit of the ABS. The third fuse, which protects the ABS control unit, is located in the fuse box.

Preparatory work

- Switch off the ignition by turning the ignition key to the position ☒.
- Remove the passenger seat. (📖 p. 108)



To change the fuse of the ABS hydraulic unit:

- Take off the protection cap and remove fuse ①.



Info

A faulty fuse has a burned-out fuse wire **A**.



Warning

Fire hazard Incorrect fuses overload the electrical system.

- Only use fuses with the required ampere value.
- Do not bypass or repair fuses.

- Use spare fuses with the correct rating only.

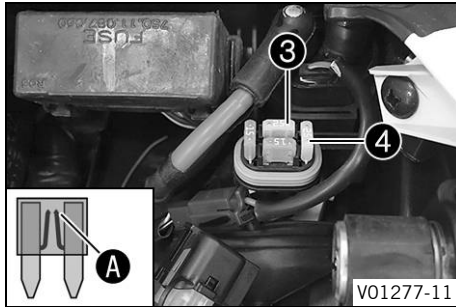
Fuse (75011088015) (📖 p. 221)



Tip

Replace spare fuse ② in the fuse box so that it is available if needed.

- Mount the protection cap.



To change the fuse of the ABS return pump:

- Take off the protection cap and remove fuse ③.



Info

A faulty fuse has a burned-out fuse wire **A**.



Warning

Fire hazard Incorrect fuses overload the electrical system.

- Only use fuses with the required ampere value.
- Do not bypass or repair fuses.

- Use spare fuses with the correct rating only.

Fuse (90111088025) (📖 p. 221)



Tip

Replace spare fuse ④ in the fuse box so that it is available if needed.

- Mount the protection cap.

Finishing work

- Mount the passenger seat. (📖 p. 109)



15.5 Changing the fuses of individual power consumers

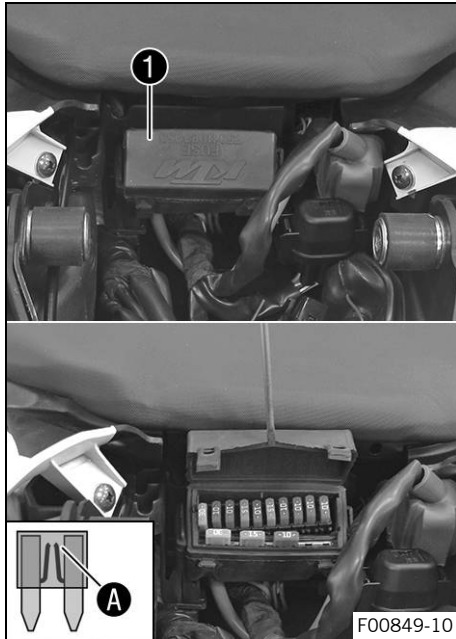


Info

The fuse box with the main fuse and the fuses of the individual power consumers is located under the passenger seat.

Preparatory work

- Switch off the ignition by turning the ignition key to the position .
- Remove the passenger seat. ( p. 108)



Main work

(Option: Without ABS)

- Open fuse box cover ①.
- Remove the faulty fuse.

Guideline

Fuse 1 - 30 A - main fuse
Fuse 2 - 10 A - combination instrument, alarm system (optional)
Fuse 3 - 10 A - control unit, power relay
Fuse 4 - 15 A - ignition coil, starter relay, fuel pump
Fuse 5 - 10 A - radiator fan
Fuse 6 - 15 A - horn, brake light, turn signal, high beam, low beam, parking light, tail light, license plate lamp
Fuse 7 - 10 A - combination instrument, diagnostics connector
Fuse 8 - 10 A - alarm system (optional)
Fuse 9 - 10 A - permanent positive for auxiliary equipment (ACC1 front)
Fuse 10 - 10 A - positive connected with ignition for auxiliary equipment (ACC2 front)



Info

A faulty fuse has a burned-out fuse wire **A**.



Warning

Fire hazard Incorrect fuses overload the electrical system.

- Only use fuses with the required ampere value.
- Do not bypass or repair fuses.

- Use spare fuses with the correct rating only.

Fuse (75011088010) (📖 p. 221)

Fuse (75011088015) (📖 p. 221)

Fuse (75011088030) (📖 p. 221)



Tip

Replace the spare fuse in the fuse box so that it is available if needed.

- Check that the power consumer is functioning properly.
- Close the fuse box cover **1**.

(Option: With ABS)


- Open fuse box cover **1**.
- Remove the faulty fuse.

Guideline

Fuse 1 - 30 A - main fuse
Fuse 2 - 10 A - combination instrument, alarm system (optional)
Fuse 3 - 10 A - control unit, power relay
Fuse 4 - 15 A - ignition coil, starter relay, fuel pump
Fuse 5 - 10 A - radiator fan
Fuse 6 - 15 A - horn, brake light, turn signal, high beam, low beam, parking light, tail light, license plate lamp
Fuse 7 - 10 A - ABS control unit, combination instrument, diagnostics connector
Fuse 8 - 10 A - alarm system (optional)
Fuse 9 - 10 A - permanent positive for auxiliary equipment (ACC1 front)
Fuse 10 - 10 A - positive connected with ignition for auxiliary equipment (ACC2 front)



Info

A faulty fuse has a burned-out fuse wire .

**Warning**

Fire hazard Incorrect fuses overload the electrical system.

- Only use fuses with the required ampere value.
- Do not bypass or repair fuses.

- Use spare fuses with the correct rating only.

Fuse (75011088010) (📖 p. 221)

Fuse (75011088015) (📖 p. 221)

Fuse (75011088030) (📖 p. 221)

**Tip**

Replace the spare fuse in the fuse box so that it is available if needed.

- Check that the power consumer is functioning properly.
- Close the fuse box cover ①.

Finishing work

- Mount the passenger seat. (📖 p. 109)



15.6 Changing the headlight bulb

Note

Damage to reflector Grease on the reflector reduces the brightness.

Grease on the bulb will evaporate due to the heat and be deposited on the reflector.

- Clean and degrease the bulbs before mounting.
- Do not touch the bulbs with your bare hands.

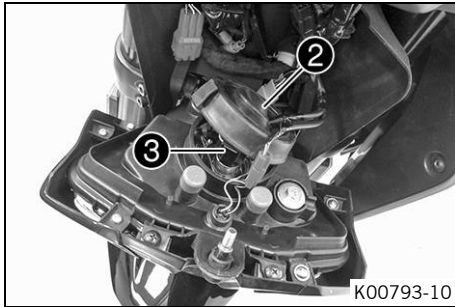


Preparatory work

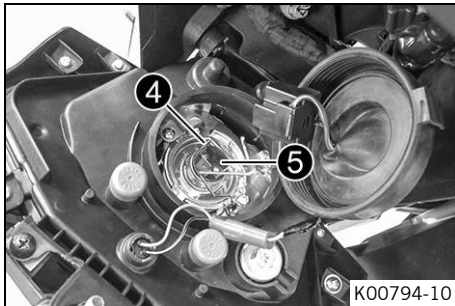
- Switch off the ignition by turning the ignition key to the position \otimes .

Main work

- Remove screw ①.
- Lift the headlight mask slightly and swing forward.



- Remove protection cap ②.
- Unplug connector ③.



- Detach retaining clamp ④.
- Remove headlight bulb ⑤.
- Position the new headlight bulb in the headlight housing.

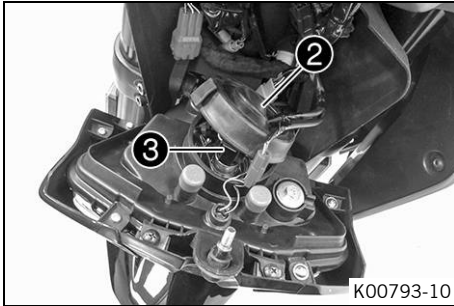
Guideline

Insert the headlight bulb so that the catches latch into the recesses.

Headlight (H4/socket P43t) (🔊 p. 221)

- Attach retaining clamp ④.

15 ELECTRICAL SYSTEM



- Plug in connector ③.
- Mount protection cap ②.
- Swivel the headlight mask up.



- Mount screw ①.

Guideline

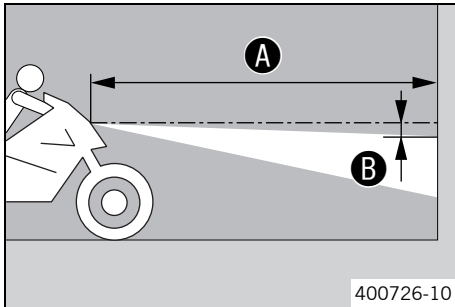
Screw, headlight	M6	8 Nm (5.9 lbf ft)
------------------	----	-------------------

- Check that the lighting is functioning properly.

Finishing work

- Check the headlight setting. (📖 p. 171)

15.7 Checking the headlight setting



- Position the vehicle upright on a horizontal surface in front of a light wall and make a marking at the height of the center of the low beam headlight.
- Make another mark at a distance **B** under the first marking.

Guideline

Distance B	5 cm (2 in)
-------------------	-------------

- Position the vehicle perpendicular to the wall at a distance **A** from the wall and switch on the low beam.

Guideline

Distance A	5 m (16 ft)
-------------------	-------------

- The rider now mounts the motorcycle with luggage and passenger if applicable.
- Check the headlight setting.

The light-dark boundary must lie exactly on the lower marking when the motorcycle is ready to operate with the rider mounted along with any luggage and a passenger if applicable.

- » If the light-dark border does not meet specifications:
 - Adjust the headlight range. (📖 p. 172)

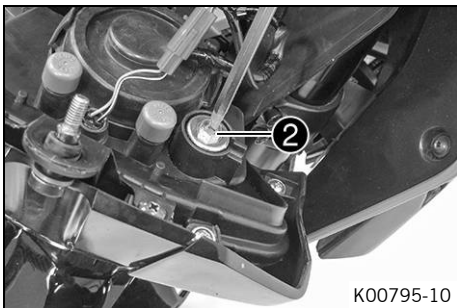


15.8 Adjusting the headlight range



Main work

- Remove screw ❶.
- Lift the headlight mask slightly and swing forward.



- Adjust the beam headlight range by turning screw ❷.

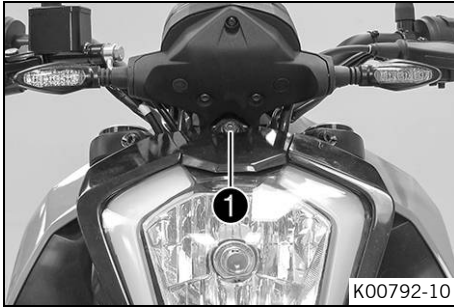
Guideline

For a motorcycle with rider, and with luggage and a passenger if applicable, the light/dark boundary must be exactly on the lower marking (applied in: Checking the headlight setting).



Info

Turn clockwise to reduce the headlight range; turn counterclockwise to increase the headlight range.



- Swivel the headlight mask up.
- Mount screw ①.

Guideline

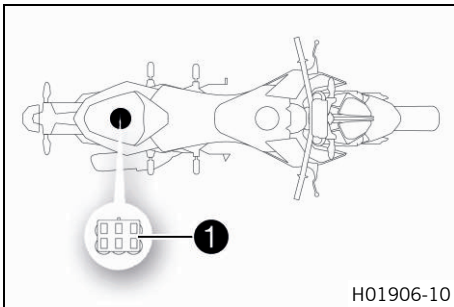
Screw, headlight	M6	8 Nm (5.9 lbf ft)
------------------	----	-------------------

Finishing work

- Check the headlight setting. (📖 p. 171)



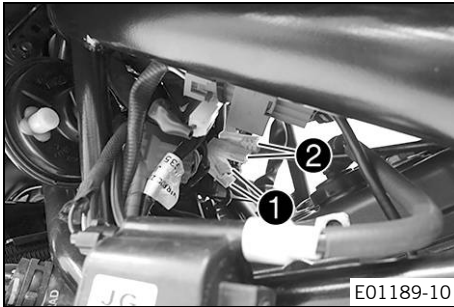
15.9 Diagnostics connector



Diagnostics connector ① is located under the passenger seat.

15 ELECTRICAL SYSTEM

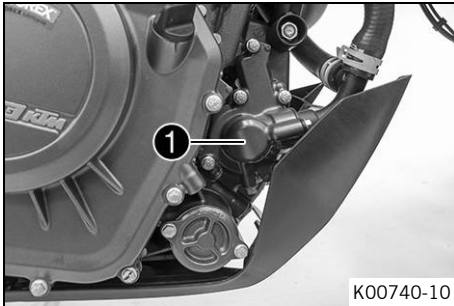
15.10 Front ACC1 and ACC2



Installation location

- Power supplies ACC1 **1** and ACC2 **2** front are located on the left of the vehicle, behind the cover under the fuel tank.

16.1 Cooling system

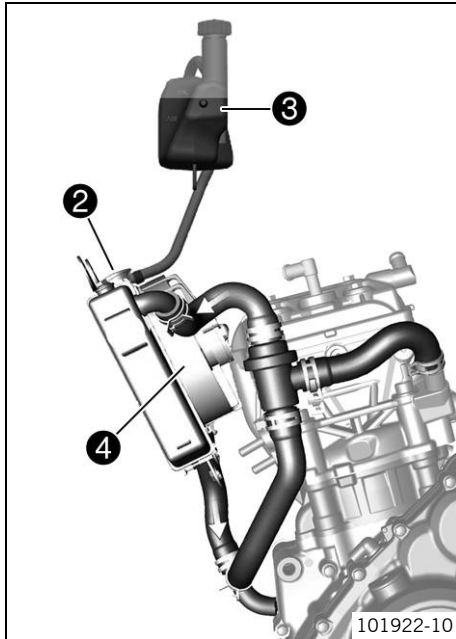


Water pump ① in the engine ensures forced circulation of the coolant.

The pressure resulting from the warming of the cooling system is regulated by a valve in radiator cap ②. Heat expansion causes excess coolant to flow into compensating tank ③. When the temperature falls, this surplus coolant is sucked back into the cooling system. This ensures that operating the vehicle at the specified coolant temperature will not result in a risk of malfunctions.

110 °C (230 °F)

16 COOLING SYSTEM



The coolant is cooled by the air stream and a radiator fan **4**, which is activated at high temperature. The lower the speed, the less the cooling effect. Dirty cooling fins also reduce the cooling effect.



Info

If the cooling system overheats, the maximum engine speed is limited.

16.2 Checking the antifreeze and coolant level



Warning

Danger of scalding During motorcycle operation, the coolant gets very hot and is under pressure.

- Do not open the radiator, the radiator hoses or other cooling system components if the engine or the cooling system are at operating temperature.
- Allow the cooling system and the engine to cool down before you open the radiator, the radiator hoses or other components of the cooling system.
- In the event of scalding, rinse the area affected immediately with lukewarm water.



Warning

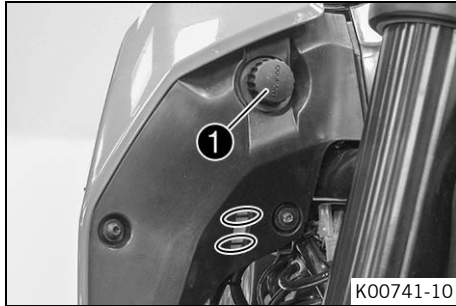
Danger of poisoning Coolant is toxic and a health hazard.

- Keep coolant out of the reach of children.
- Do not allow coolant to come into contact with the skin, the eyes and clothing.
- Consult a doctor immediately if coolant is swallowed.
- Rinse the affected area immediately with plenty of water in the event of contact with the skin.
- Rinse eyes thoroughly with water and consult a doctor immediately if coolant gets into the eyes.
- Change clothing if coolant spills onto your clothing.

Condition

The engine is cold.

16 COOLING SYSTEM



- Stand the motorcycle upright on a horizontal surface.
- Remove cap ❶ of the compensating tank.
- Check the antifreeze in the coolant.

-25 ... -45 °C (-13 ... -49 °F)

» If the antifreeze in the coolant does not match the specified value:

- Correct the antifreeze in the coolant.

- Check the coolant level in the compensating tank.

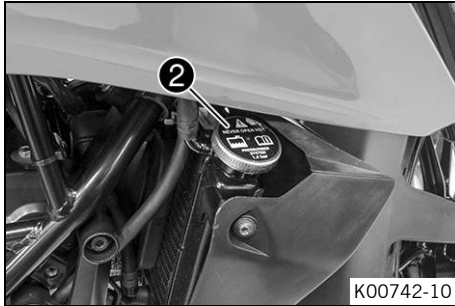
The coolant level must be between the two markings.

» If the coolant level does not match the specified value:

- Correct the coolant level.

Coolant (📖 p. 230)

- Mount the cap of the compensating tank.



- Remove radiator cap ②.
- Check the antifreeze in the coolant.

-25 ... -45 °C (-13 ... -49 °F)

- » If the antifreeze in the coolant does not match the specified value:

- Correct the antifreeze in the coolant.

- Check the coolant level in the radiator.

The radiator must be filled completely.

- » If the coolant level does not match the specified value:
- Check the coolant level and the reason for the loss.

Coolant (📖 p. 230)

- » If you had to add more coolant than the specified amount:
> 0.20 l (> 0.21 qt.)

- Fill/bleed the cooling system. 🛠️ (📖 p. 183)

- Mount the radiator cap.



16.3 Checking the coolant level



Warning

Danger of scalding During motorcycle operation, the coolant gets very hot and is under pressure.

- Do not open the radiator, the radiator hoses or other cooling system components if the engine or the cooling system are at operating temperature.
- Allow the cooling system and the engine to cool down before you open the radiator, the radiator hoses or other components of the cooling system.
- In the event of scalding, rinse the area affected immediately with lukewarm water.



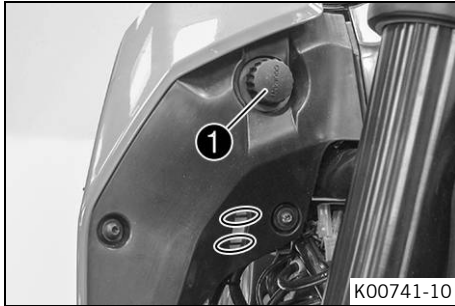
Warning

Danger of poisoning Coolant is toxic and a health hazard.

- Keep coolant out of the reach of children.
- Do not allow coolant to come into contact with the skin, the eyes and clothing.
- Consult a doctor immediately if coolant is swallowed.
- Rinse the affected area immediately with plenty of water in the event of contact with the skin.
- Rinse eyes thoroughly with water and consult a doctor immediately if coolant gets into the eyes.
- Change clothing if coolant spills onto your clothing.

Condition

The engine is cold.

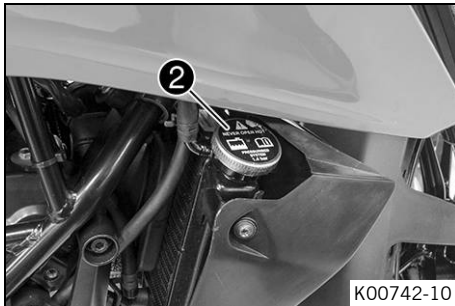


- Stand the motorcycle upright on a horizontal surface.
- Check the coolant level in compensating tank ①.

The coolant level must be between the two markings.

- » If the coolant level does not match the specified value:
 - Correct the coolant level.

Coolant (📖 p. 230)



- Remove radiator cap ② and check the coolant level in the radiator.

The radiator must be filled completely.

- » If the coolant level does not match the specified value:
 - Check the coolant level and the reason for the loss.
- » If you had to add more coolant than the specified amount:
 - > 0.20 l (> 0.21 qt.)
 - Fill/bleed the cooling system. 🛠️ (📖 p. 183)

- Mount the radiator cap.



16.4 Draining the coolant



Warning

Danger of scalding During motorcycle operation, the coolant gets very hot and is under pressure.

- Do not open the radiator, the radiator hoses or other cooling system components if the engine or the cooling system are at operating temperature.
- Allow the cooling system and the engine to cool down before you open the radiator, the radiator hoses or other components of the cooling system.
- In the event of scalding, rinse the area affected immediately with lukewarm water.



Warning


Danger of poisoning Coolant is toxic and a health hazard.

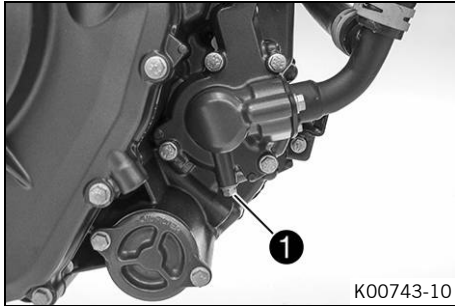
- Keep coolant out of the reach of children.
- Do not allow coolant to come into contact with the skin, the eyes and clothing.
- Consult a doctor immediately if coolant is swallowed.
- Rinse the affected area immediately with plenty of water in the event of contact with the skin.
- Rinse eyes thoroughly with water and consult a doctor immediately if coolant gets into the eyes.
- Change clothing if coolant spills onto your clothing.

Condition

The engine is cold.

Preparatory work

- Remove the front spoiler. ( p. 119)



Main work

- Position the motorcycle upright.
- Place a suitable container under the engine.
- Remove screw ①.
- Remove the radiator cap.
- Completely drain the coolant.
- Mount and tighten screw ① with a new seal ring.

Guideline

Screw plug, water pump drain hole	M6	10 Nm (7.4 lbf ft)
-----------------------------------	----	--------------------



16.5 Filling/bleeding the cooling system 🛠️

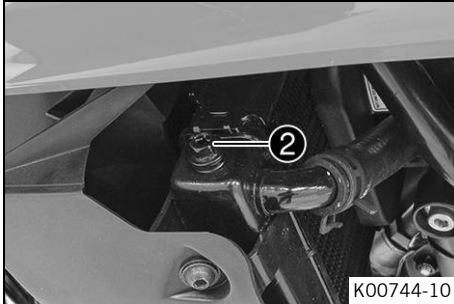
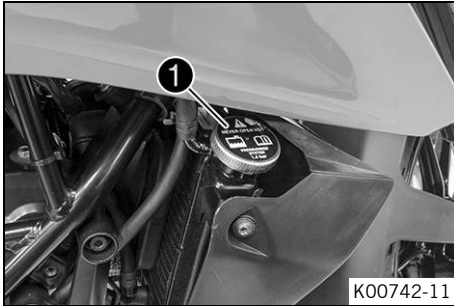


Warning

Danger of poisoning Coolant is toxic and a health hazard.

- Keep coolant out of the reach of children.
- Do not allow coolant to come into contact with the skin, the eyes and clothing.
- Consult a doctor immediately if coolant is swallowed.
- Rinse the affected area immediately with plenty of water in the event of contact with the skin.
- Rinse eyes thoroughly with water and consult a doctor immediately if coolant gets into the eyes.
- Change clothing if coolant spills onto your clothing.

16 COOLING SYSTEM



Main work

- Remove radiator cap ❶.

- Loosen bleeder screw ❷.

Guideline

3 turns

- Tilt the vehicle slightly to the right.
- Pour in coolant until it emerges without bubbles at the bleeder screw, and then mount and tighten the bleeder screw immediately.

Coolant (📖 p. 230)

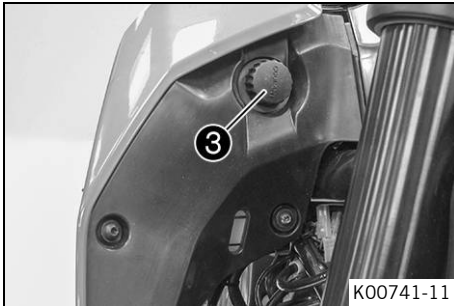
- Completely fill the radiator with coolant. Mount the radiator cap.
- Rest the vehicle on the side stand.



Danger

Danger of poisoning Exhaust gases are toxic and inhaling them may result in unconsciousness and death.

- Always make sure there is sufficient ventilation when running the engine.
- Use an effective exhaust extraction system when starting or running the engine in an enclosed space.



- Start the engine and let it warm up.
- Stop the engine and allow it to cool down.
- When the engine is cool, check the coolant level in the radiator and, if necessary, add coolant.
- Remove the cover of compensating tank **3** and top up the coolant level up to the **MAX** marking.
- Mount the cover of the compensating tank.

Finishing work

- Fit the front spoiler. (📖 p. 120)



16.6 Changing the coolant ↩



Warning

Danger of scalding During motorcycle operation, the coolant gets very hot and is under pressure.

- Do not open the radiator, the radiator hoses or other cooling system components if the engine or the cooling system are at operating temperature.
- Allow the cooling system and the engine to cool down before you open the radiator, the radiator hoses or other components of the cooling system.
- In the event of scalding, rinse the area affected immediately with lukewarm water.



Warning

Danger of poisoning Coolant is toxic and a health hazard.

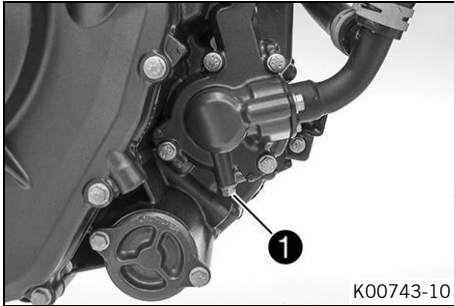
- Keep coolant out of the reach of children.
- Do not allow coolant to come into contact with the skin, the eyes and clothing.
- Consult a doctor immediately if coolant is swallowed.
- Rinse the affected area immediately with plenty of water in the event of contact with the skin.
- Rinse eyes thoroughly with water and consult a doctor immediately if coolant gets into the eyes.
- Change clothing if coolant spills onto your clothing.

Condition

The engine is cold.

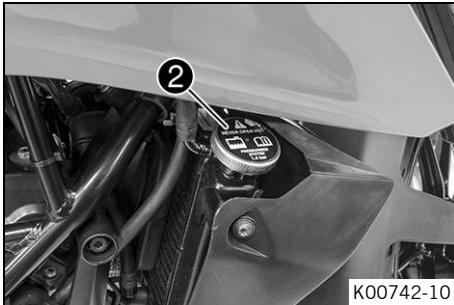
Preparatory work

- Remove the front spoiler. (📖 p. 119)



Main work

- Position the motorcycle upright.
- Place a suitable container under the engine.
- Remove screw **1**.

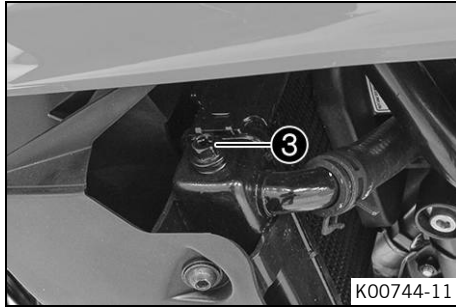


- Remove radiator cap **2**.
- Completely drain the coolant.
- Mount and tighten screw **1** with a new seal ring.

Guideline

Screw plug, water pump drain hole	M6	10 Nm (7.4 lbf ft)
-----------------------------------	----	--------------------

16 COOLING SYSTEM



- Loosen bleeder screw ③.

Guideline

3 turns

- Tilt the vehicle slightly to the right.
- Pour in coolant until it emerges without bubbles at the bleeder screw, and then mount and tighten the bleeder screw immediately.

Coolant (🗨️ p. 230)

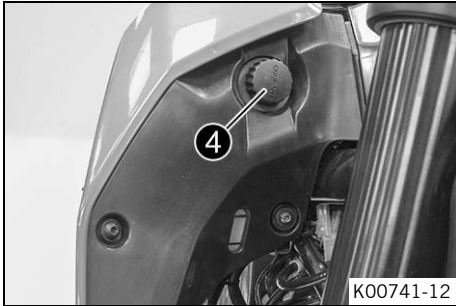
- Completely fill the radiator with coolant. Mount the radiator cap.
- Rest the vehicle on the side stand.



Danger

Danger of poisoning Exhaust gases are toxic and inhaling them may result in unconsciousness and death.

- Always make sure there is sufficient ventilation when running the engine.
 - Use an effective exhaust extraction system when starting or running the engine in an enclosed space.
-
- Start the engine and let it warm up.



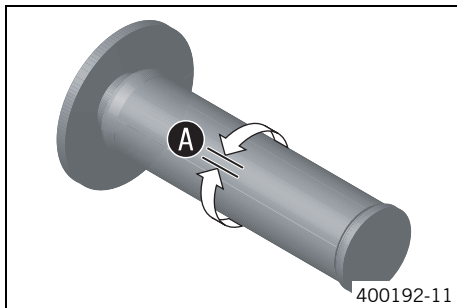
- Stop the engine and allow it to cool down.
- When the engine is cool, check the coolant level in the radiator and, if necessary, add coolant.
- Remove the cover ④ of the compensating tank and top up the coolant level up to the **MAX** marking.
- Mount the cover of the compensating tank.

Finishing work

- Fit the front spoiler. (📖 p. 120)



17.1 Checking the play in the throttle cable



- Check the throttle grip for smooth operation.
- Move the handlebar to the straight-ahead position. Turn the throttle grip back and forth slightly and determine the play in throttle cable **A**.

Throttle cable play A	3 ... 5 mm (0.12 ... 0.2 in)
------------------------------	------------------------------

- » If the throttle cable play does not meet the specified value:
 - Adjust the play in the throttle cable. 🛠️ (📖 p. 191)



Danger

Danger of poisoning Exhaust gases are toxic and inhaling them may result in unconsciousness and death.

- Always make sure there is sufficient ventilation when running the engine.
- Use an effective exhaust extraction system when starting or running the engine in an enclosed space.

- Start the engine and let it run idle. Move the handlebar to and fro over the entire steering range.

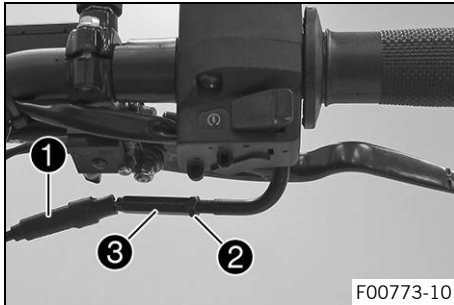
The idle speed must not change.

- » If the idle speed changes:

- Check throttle cable routing.



17.2 Adjusting the play in the throttle cable ↘



- Move the handlebar to the straight-ahead position.
- Push back sleeve ❶.
- Loosen lock nut ❷.
- Adjust the play in the throttle cable by turning adjusting screw ❸.

Guideline

Throttle cable play	3 ... 5 mm (0.12 ... 0.2 in)
---------------------	------------------------------

- Tighten lock nut ❷.
- Slide on sleeve ❶.



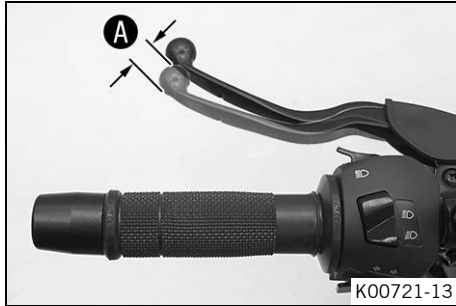
17.3 Checking the clutch lever play

Note

Clutch damage If there is no free travel by the clutch lever, the clutch will begin to slip.

- Check the free travel of the clutch lever each time before using the motorcycle.
- Adjust the free travel of the clutch lever when necessary in accordance with the specification.

17 TUNING THE ENGINE



- Check the clutch lever for smooth operation.
- Move the handlebar to the straight-ahead position.
- Pull the clutch lever until resistance is perceptible, and determine the play in the clutch lever **A**.

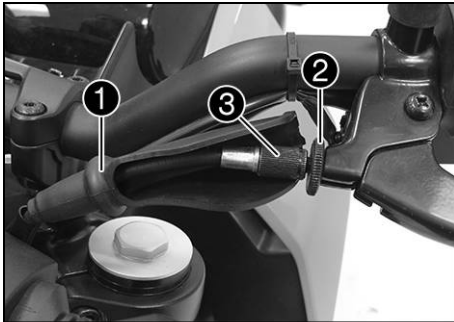
Clutch lever play A	1 ... 3 mm (0.04 ... 0.12 in)
----------------------------	-------------------------------

- » If the clutch lever play does not meet the specified value:
 - Adjust play in the clutch lever. 🛠️ (📖 p. 193)
- Move the handlebar to and fro over the entire steering range.

The clutch lever play must not change.

- » If the clutch lever play changes:
 - Check the routing of the clutch cable.

17.4 Adjusting play in the clutch lever 🐾



- Move the handlebar to the straight-ahead position.
- Push back sleeve ❶.
- Loosen lock nut ❷.
- Adjust the play in the clutch level A by turning adjusting screw ❸.

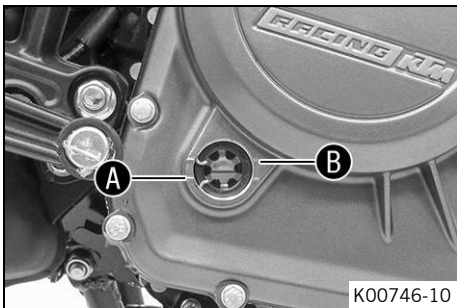
Guideline

Clutch lever play A	1 ... 3 mm (0.04 ... 0.12 in)
---------------------	-------------------------------



- Tighten lock nut ❷.
- Position bellows ❶.

18.1 Checking the engine oil level



Condition

The engine is at operating temperature.

Preparatory work

- Stand the motorcycle upright on a horizontal surface.

Main work

- Check the engine oil level.



Info

After switching off the engine, wait one minute before checking the level.

The engine oil must be between the **A** and **B** markings .

- » When the engine oil level is below the **A** marking:
 - Add the engine oil. (📖 p. 199)
- » When the engine oil level is above the **B** marking:
 - Correct the engine oil level.

18.2 Changing the engine oil and oil filter, cleaning the oil screens ↩



Warning

Danger of scalding Engine and gear oil get very hot when the motorcycle is ridden.

- Wear suitable protective clothing and safety gloves.
- In the event of scalding, rinse the area affected immediately with lukewarm water.



Note

Environmental hazard Hazardous substances cause environmental damage.

- Dispose of oils, grease, filters, fuel, cleaning agents, brake fluid, etc., correctly and in compliance with the applicable regulations.



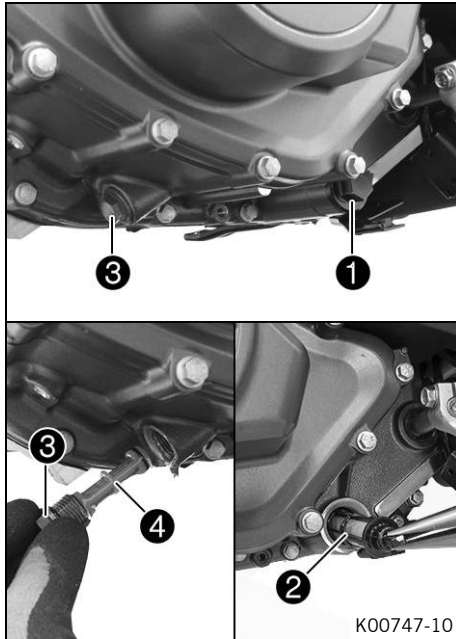
Info

Drain the engine oil while the engine is at operating temperature.

Preparatory work

- Remove the front spoiler. (📖 p. 119)
- Stand the motorcycle on its side stand on a horizontal surface.

18 SERVICE WORK ON THE ENGINE



Main work

- Place a suitable container under the engine.
- Remove oil drain plug ① with the O-ring.
- Remove oil screen ② with the O-ring.
- Remove screw plug ③ with oil screen ④.
- Completely drain the engine oil.
- Thoroughly clean the oil drain plugs and oil screens.
- Position oil screen ② and mount and tighten oil drain plug ① with the O-ring.

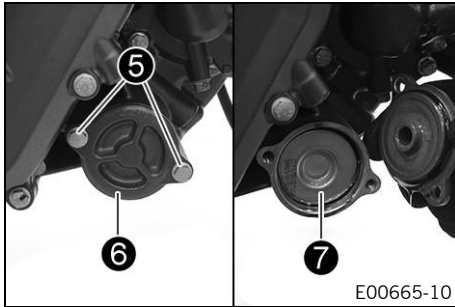
Guideline

Oil drain plug	M24x1.5	15 Nm (11.1 lbf ft)
----------------	---------	---------------------

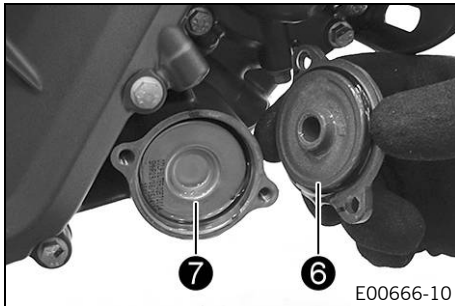
- Mount and tighten screw plug ③ with oil screen ④ and the O-ring.

Guideline

Oil screen screw plug, small	M17x1.5	12 Nm (8.9 lbf ft)
------------------------------	---------	--------------------



- Remove screws **5**. Take off oil filter cover **6** with the O-ring.
- Pull oil filter **7** out of the oil filter housing.
- Completely drain the engine oil.
- Thoroughly clean the parts and sealing surface.



- Insert oil filter **7**.
- Lubricate the O-ring of the oil filter cover. Mount oil filter cover **6**.
- Mount and tighten screws **5**.

Guideline

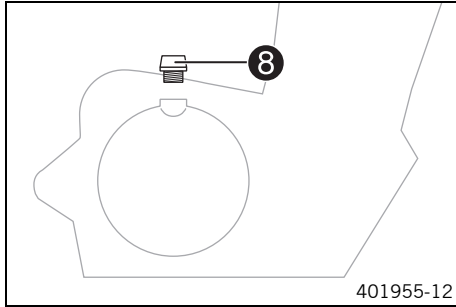
Screw, oil filter cover	M6	10 Nm (7.4 lbf ft)
-------------------------	----	--------------------



Info

Too little engine oil or poor-quality engine oil will result in premature wear of the engine.

18 SERVICE WORK ON THE ENGINE



- Remove filler plug **8** from the clutch cover together with the O-ring, and fill up with engine oil.

Engine oil	1.7 l (1.8 qt.)	Engine oil (SAE 15W/50) (📖 p. 231)
------------	-----------------	--

- Mount and tighten the filler plug together with the O-ring.



Danger

Danger of poisoning Exhaust gases are toxic and inhaling them may result in unconsciousness and death.

- Always make sure there is sufficient ventilation when running the engine.
 - Use an effective exhaust extraction system when starting or running the engine in an enclosed space.
-
- Start the engine and check that it is oil-tight.

Finishing work

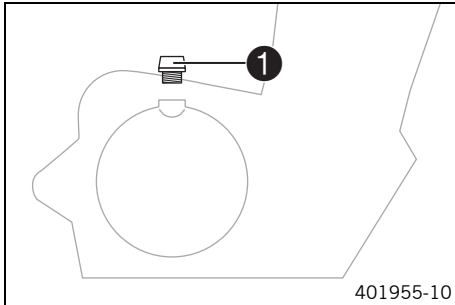
- Fit the front spoiler. (📖 p. 120)
- Check the engine oil level. (📖 p. 194)

18.3 Adding engine oil



Info

Too little engine oil or poor-quality engine oil results in premature wear to the engine.



Main work

- Remove the oil filler plug **1** with the O-ring from the clutch cover and fill up with engine oil.

Engine oil (SAE 15W/50) (📖 p. 231)



Info

In order to achieve optimal engine performance, it is not advisable to mix different engine oils. We recommended changing the engine oil when necessary.

- Install and tighten the oil filler plug with the O-ring.



Danger

Danger of poisoning Exhaust gases are toxic and inhaling them may result in unconsciousness and death.

- Always make sure there is sufficient ventilation when running the engine.
- Use an effective exhaust extraction system when starting or running the engine in an enclosed space.

- Start the engine and check that it is oil-tight.

Finishing work

- Check the engine oil level. (📖 p. 194)



19.1 Cleaning the motorcycle

Note

Material damage Components become damaged or destroyed if a pressure cleaner is used incorrectly.

The high pressure forces water into the electrical components, connectors, throttle cables, and bearings, etc. Pressure which is too high causes malfunctions and destroys components.

- Do not direct the water jet directly on to electrical components, connectors, throttle cables or bearings.
- Maintain a minimum distance between the nozzle of the pressure cleaner and the component.

Minimum clearance 60 cm (23.6 in)



Note

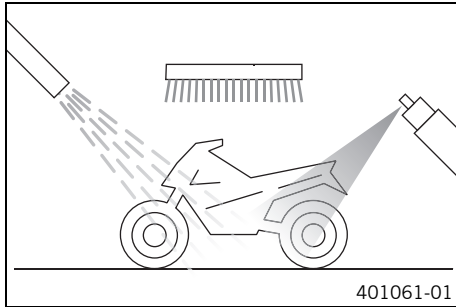
Environmental hazard Hazardous substances cause environmental damage.

- Dispose of oils, grease, filters, fuel, cleaning agents, brake fluid, etc., correctly and in compliance with the applicable regulations.
-



Info

Clean the motorcycle regularly to maintain its value and appearance over a long period.
Avoid direct sunshine when cleaning the motorcycle.



- Close off the exhaust system to keep water from entering.
- Remove loose dirt first with a soft jet of water.
- Spray heavily soiled parts with a normal commercial motorcycle cleaner and then brush off with a soft brush.

Motorcycle cleaner (📖 p. 235)



Info

Use warm water containing normal motorcycle cleaner and a soft sponge.

Never apply motorcycle cleaner to a dry motorcycle; always rinse the vehicle with water first.

Clean the motorcycle with cold water if it has been used on salted roads. Warm water enhances the corrosive effects of salt.

- After rinsing the motorcycle with a gentle spray of water, allow it to dry thoroughly.
- Remove the closure of the exhaust system.



Warning

Danger of accidents Moisture and dirt impair the brake system.

- Brake carefully several times to dry out and remove dirt from the brake linings and the brake discs.

- After cleaning, ride the vehicle a short distance until the engine warms up.



Info

The heat produced causes water at inaccessible locations in the engine and on the brake system to evaporate.

-
- Push back the sleeves of the handlebar controls to allow any water that has penetrated to evaporate.
 - After the motorcycle has cooled off, lubricate all moving parts and pivot points.
 - Clean the chain. (🔧 p. 111)
 - Treat bare metal (except for brake discs and the exhaust system) with a corrosion inhibitor.

Preserving materials for paints, metal and rubber
(🔧 p. 235)

- Treat all painted parts with a mild paint care product.

Perfect Finish and high gloss polish for paints (🔧 p. 235)



Info

Do not polish parts that were matte when delivered as this would strongly impair the material quality.

- Treat all plastic parts and powder-coated parts with a mild cleaning and care product.

Special cleaner for glossy and matte paint finishes, metal and plastic surfaces (📖 p. 235)

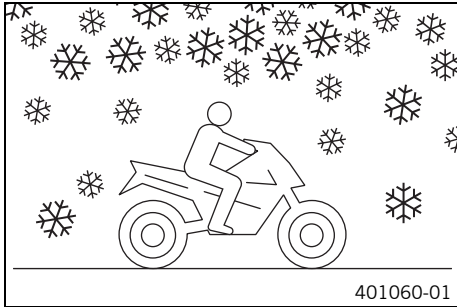
- Oil the ignition/steering lock.

Universal oil spray (📖 p. 235)

19.2 Checks and maintenance steps for winter operation

i Info

If you use the motorcycle in winter, you must expect salt on the roads. You should therefore take precautions against aggressive road salt. Clean the motorcycle with cold water if it has been used on salted roads. Warm water enhances the corrosive effects of salt.



- Clean the motorcycle. (📖 p. 201)
- Clean the brakes.



Info

After **EVERY** trip on salted roads, thoroughly clean the motorcycle and, in particular, the brake calipers and brake linings while cooled and installed with cold water and dry carefully.

- Treat the engine, the swingarm, and all other bare or zinc plated parts (except brake discs) with a wax-based corrosion inhibitor.



Info

Corrosion inhibitor is not permitted to come in contact with the brake discs as this would greatly reduce the braking force.

- Clean the chain. (📖 p. 111)

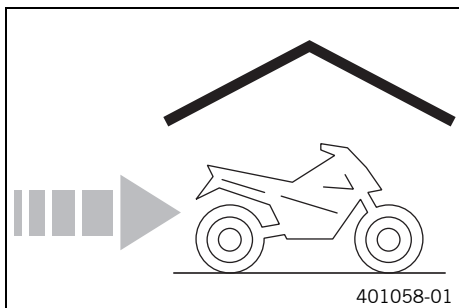


20.1 Storage

**Info**

If you want to garage the motorcycle for a longer period, take the following steps.

Before storing the motorcycle, check all parts for function and wear. If service, repairs or replacements are necessary, you should do this during the storage period (less workshop overload). In this way, you can avoid long workshop waiting times at the start of the new season.



- When refueling for the last time before taking the motorcycle out of service, add fuel additive.

Fuel additive (📖 p. 234)

- Refuel. (📖 p. 92)
- Clean the motorcycle. (📖 p. 201)
- Change the engine oil and oil filter and clean the oil screens. 🛠️ (📖 p. 195)
- Check the antifreeze and coolant level. (📖 p. 177)
- Check the tire air pressure. (📖 p. 152)
- Remove the battery. 🛠️ (📖 p. 154)
- Recharge the battery. 🛠️ (📖 p. 157)

Guideline

Storage temperature of battery without direct sunlight	0 ... 35 °C (32 ... 95 °F)
--	----------------------------

- Store the vehicle in a dry location that is not subject to large fluctuations in temperature.

**Info**

KTM recommends jacking up the motorcycle.

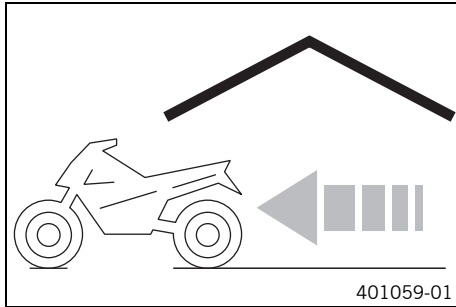
-
- Raise the motorcycle with the rear lifting gear. (📖 p. 102)
 - Lift the motorcycle with the front lifting gear. (📖 p. 103)
 - Cover the motorcycle with a tarp or similar cover that is permeable to air.

**Info**

Do not use non-porous materials since they prevent humidity from escaping, thus causing corrosion. Avoid running the engine for a short time only. Since the engine cannot warm up properly, the water vapor produced during combustion condenses and causes valves and exhaust system to rust.



20.2 Preparing for use after storage



- Take the motorcycle off the front lifting gear. (📖 p. 105)
- Remove the rear of the motorcycle from the lifting gear. (📖 p. 102)
- Install the battery. 🛠️ (📖 p. 156)
- Set the clock. (📖 p. 68)
- Perform checks and maintenance measures when preparing for use. (📖 p. 77)
- Take a test ride.

Faults	Possible cause	Action
Engine does not crank when the electric starter button is pressed	Operating error	– Carry out the start procedure. (📖 p. 78)
	Battery discharged	– Recharge the battery. 🛠️ (📖 p. 157)
	Fuse 1 , 3 or 4 is blown	– Change the fuses of individual power consumers. (📖 p. 163)
	No ground connection present	– Check the ground connection.
Engine turns only if the clutch lever is drawn	The vehicle is in gear	– Shift gear to neutral.
	The vehicle is in gear and the side stand is folded out	– Shift gear to neutral.
Engine turns but does not start	Operating error	– Carry out the start procedure. (📖 p. 78)
	Fault in fuel injection system	– Read out the fault memory using the KTM diagnostics tool. 🛠️
Engine has too little power	Air filter is very dirty	– Change the air filter.
	Fuel filter is very dirty	– Check the fuel pressure. 🛠️
	Fault in fuel injection system	– Read out the fault memory using the KTM diagnostics tool. 🛠️
Engine overheats	Too little coolant in cooling system	– Check the cooling system for leakage. – Check the coolant level. (📖 p. 180)
	Radiator fins very dirty	– Clean the radiator fins.

Faults	Possible cause	Action
Engine overheats	Foam formation in cooling system	<ul style="list-style-type: none"> – Drain the coolant. 🛠️ (📖 p. 182) – Fill/bleed the cooling system. 🛠️ (📖 p. 183)
	Thermostat defective	– Check the thermostat. 🛠️
	Fuse 5 blown	– Change the fuses of individual power consumers. (📖 p. 163)
	Defect in radiator fan system	– Check the radiator fan system. 🛠️
Malfunction indicator lamp lights up red	Fault in fuel injection system	– Read out the fault memory using the KTM diagnostics tool. 🛠️
Engine dies during the trip	Lack of fuel	– Refuel. (📖 p. 92)
	Fuse 1 , 3 or 4 is blown	– Change the fuses of individual power consumers. (📖 p. 163)
ABS indicator lamp lights up (Option: With ABS)	ABS fuse is blown	– Change the ABS fuses. (📖 p. 160)
	Large difference in wheel speeds of the front and rear wheels	– Stop the vehicle, switch off the ignition, and start it again.
	Malfunction in ABS	– Read out the ABS fault memory using the KTM diagnostics tool. 🛠️
High oil consumption	Engine vent hose bent	– Route the vent hose without bends or change it if necessary.
	Engine oil level too high	– Check the engine oil level. (📖 p. 194)

Faults	Possible cause	Action
High oil consumption	Engine oil too thin (low viscosity)	– Change the engine oil and oil filter and clean the oil screens. 🛠️ (📖 p. 195)
Headlight and position light are not functioning	Fuse 6 blown	– Change the fuses of individual power consumers. (📖 p. 163)
Turn signal, brake light, and horn are not functional	Fuse 6 blown	– Change the fuses of individual power consumers. (📖 p. 163)
Time is not displayed or not correctly displayed	Fuse 2 is blown	– Change the fuses of individual power consumers. (📖 p. 163) – Set the clock. (📖 p. 68)
	Fuse 7 is blown	– Change the fuses of individual power consumers. (📖 p. 163) – Set the clock. (📖 p. 68)
Battery discharged	Ignition was not switched off when vehicle was parked	– Recharge the battery. 🛠️ (📖 p. 157)
	Battery is not being charged by alternator	– Check the charging voltage. 🛠️ – Check the open-circuit current. 🛠️
The combination instrument shows nothing on the display	Fuse 2 is blown	– Change the fuses of individual power consumers. (📖 p. 163) – Set the clock. (📖 p. 68)
	Fuse 7 is blown	– Change the fuses of individual power consumers. (📖 p. 163) – Set the clock. (📖 p. 68)

21 TROUBLESHOOTING

Faults	Possible cause	Action
Speedometer in combination instrument not functioning	Speedometer wiring harness is damaged or plug-in connector is oxidized	– Check the wiring harness and plug-in connector.

22.1 Engine

Design	1-cylinder 4-stroke engine, water-cooled
Displacement	249 cm ³ (15.19 cu in)
Stroke	61.1 mm (2.406 in)
Bore	72 mm (2.83 in)
Compression ratio	12.5:1
Control	DOHC, 4 valves controlled via cam lever, chain drive
Valve diameter, intake	29 mm (1.14 in)
Valve diameter, exhaust	24 mm (0.94 in)
Valve clearance, intake, cold	0.10 ... 0.15 mm (0.0039 ... 0.0059 in)
Valve clearance, exhaust, cold	0.15 ... 0.20 mm (0.0059 ... 0.0079 in)
Crankshaft bearing	2 slide bearings
Conrod bearing	Sleeve bearing
Pistons	Cast light alloy
Piston rings	1 compression ring, 1 tapered compression piston ring, 1 oil scraper ring
Engine lubrication	Pressure circulation lubrication with two rotary pumps
Primary transmission	30:80
Clutch	Clutch in oil bath/mechanically activated
Transmission	6-gear, claw shifted
Transmission ratio	

22 TECHNICAL DATA

1st gear	12:32
2nd gear	14:26
3rd gear	19:27
4th gear	21:24
5th gear	23:22
6th gear	25:21
Mixture preparation	Electronically controlled fuel injection
Ignition	Contactless controlled fully electronic ignition with digital ignition adjustment
Alternator	12 V, 230 W
Spark plug	BOSCHVR5NEU
Spark plug electrode gap	1 mm (0.04 in)
Cooling	Water cooling, permanent circulation of coolant by water pump
Idle speed	1,450 ... 1,550 rpm
Starting aid	Electric starter

22.2 Engine tightening torques

Oil nozzle	M5	6 Nm (4.4 lbf ft)	Loctite®243™
Screw, gear sensor	M5	6 Nm (4.4 lbf ft)	Loctite®243™

Screw, ignition pulse generator	M5	6 Nm (4.4 lbf ft)	Loctite®243™
Screw, retaining bracket	M5	6 Nm (4.4 lbf ft)	Loctite®243™
Screw, retaining bracket, stator cable	M5	8 Nm (5.9 lbf ft)	Loctite®243™
Screw, stator	M5	8 Nm (5.9 lbf ft)	Loctite®243™
Cylinder head screw	M6	12 Nm (8.9 lbf ft)	
Nut, water pump impeller	M6	10 Nm (7.4 lbf ft)	Loctite®243™
Oil nozzle	M6	6 Nm (4.4 lbf ft)	Loctite®243™
Screw plug, water pump drain hole	M6	10 Nm (7.4 lbf ft)	
Screw, alternator cover	M6	12 Nm (8.9 lbf ft)	
Screw, bearing retainer	M6	12 Nm (8.9 lbf ft)	Loctite®243™
Screw, camshaft bearing support	M6	10 Nm (7.4 lbf ft)	
Screw, camshaft, decompression shaft	M6	10 Nm (7.4 lbf ft)	Loctite®243™
Screw, chain securing guide	M6	10 Nm (7.4 lbf ft)	Loctite®243™
Screw, clutch cover	M6	12 Nm (8.9 lbf ft)	

22 TECHNICAL DATA

Screw, clutch spring	M6	10 Nm (7.4 lbf ft)
Screw, engine case	M6x35	12 Nm (8.9 lbf ft) Loctite®243™
Screw, engine case	M6x75	12 Nm (8.9 lbf ft)
Screw, engine sprocket	M6	12 Nm (8.9 lbf ft)
Screw, engine vent plate	M6	10 Nm (7.4 lbf ft) Loctite®243™
Screw, freewheel gear retaining bracket	M6	12 Nm (8.9 lbf ft) Loctite®243™
Screw, lock washer, engine sprocket	M6	12 Nm (8.9 lbf ft) Loctite®243™
Screw, locking lever	M6	12 Nm (8.9 lbf ft) Loctite®243™
Screw, oil filter cover	M6	10 Nm (7.4 lbf ft)
Screw, oil pump	M6	12 Nm (8.9 lbf ft) Loctite®243™
Screw, retaining bracket	M6	12 Nm (8.9 lbf ft) Loctite®243™
Screw, retaining bracket, clutch cable pull	M6	6 Nm (4.4 lbf ft) Loctite®243™
Screw, retaining bracket, shaft seal ring, clutch cover	M6	12 Nm (8.9 lbf ft) Loctite®243™

Screw, shift drum locating	M6	12 Nm (8.9 lbf ft) Loctite®243™
Screw, starter motor	M6	12 Nm (8.9 lbf ft)
Screw, timing chain tensioner	M6	12 Nm (8.9 lbf ft)
Screw, timing chain tensioning rail	M6	12 Nm (8.9 lbf ft) Loctite®243™
Screw, unlocking of timing chain tensioner	M6	6 Nm (4.4 lbf ft)
Screw, valve cover	M6	12 Nm (8.9 lbf ft)
Screw, water pump cover	M6	12 Nm (8.9 lbf ft)
Nut, exhaust flange	M8	8 Nm (5.9 lbf ft)
Screw plug	M8	12 Nm (8.9 lbf ft) Loctite®243™
Screw, balancer shaft gear	M8	40 Nm (29.5 lbf ft) Loctite®243™
Screw, return spring, quick shifter	M8	20 Nm (14.8 lbf ft) Loctite®243™
Stud, exhaust flange	M8	22 Nm (16.2 lbf ft)
Screw, conrod bearing	M8x1	34 Nm (25.1 lbf ft)
Oil pressure sensor	M10	14 Nm (10.3 lbf ft)
Screw, camshaft drive sprocket	M10	36 Nm (26.6 lbf ft) Loctite®243™

22 TECHNICAL DATA

Screw, cylinder head	M10	1st stage 30 Nm (22.1 lbf ft) 2nd stage 60 Nm (44.3 lbf ft) Thread is oiled, head flat is greased
Screw, rotor	M10	105 Nm (77.4 lbf ft) Loctite®243™
Water temperature sensor	M10	14 Nm (10.3 lbf ft)
Screw plug, cam lever axis	M10x1	10 Nm (7.4 lbf ft)
Spark plug	M12	15 Nm (11.1 lbf ft)
Nut, inner clutch hub	M16LHx1.5	120 Nm (88.5 lbf ft) Loctite®243™
Nut, primary gear/timing chain sprocket	M16x1.5	120 Nm (88.5 lbf ft) Loctite®243™
Oil screen screw plug, small	M17x1.5	12 Nm (8.9 lbf ft)
Screw plug, alternator cover	M18x1.5	10 Nm (7.4 lbf ft)
Oil drain plug	M24x1.5	15 Nm (11.1 lbf ft)
Screw plug, alternator cover	M24x1.5	10 Nm (7.4 lbf ft)

22.3 Capacities

22.3.1 Engine oil

Engine oil	1.7 l (1.8 qt.)	Engine oil (SAE 15W/50) (📖 p. 231)
------------	-----------------	---------------------------------------

22.3.2 Coolant

Coolant	1.2 l (1.3 qt.)	Coolant (📖 p. 230)
---------	-----------------	--------------------

22.3.3 Fuel

Total fuel tank capacity, approx.	13.4 l (3.54 US gal)	Super unleaded (ROZ 95/RON 95/PON 91) (📖 p. 233) (250 Duke EU/JP/AR/CN, CO/MY/PH)
Total fuel tank capacity, approx.		Gasohol 95 E20 (RON 95) (📖 p. 232) (250 Duke TH)
Total fuel tank capacity, approx.		Super unleaded, type C (ROZ 95/RON 95/PON 91) (📖 p. 233) (250 Duke BR)
Fuel reserve, approx.		1.5 l (1.6 qt.)

22.4 Chassis

Frame	Lattice frame of steel tubes, powder-coated
Fork	WP Suspension
Shock absorber	WP Suspension
Brake system	
front	Disc brake with four-pot brake caliper
rear	Disc brake with single-pot brake caliper, floating
Suspension travel	
front	142 mm (5.59 in)
rear	150 mm (5.91 in)
Brake discs - diameter (Option: With ABS)	
front	300 mm (11.81 in)
rear	230 mm (9.06 in)
Brake discs - wear limit	
front	3.6 mm (0.142 in)
rear	3.6 mm (0.142 in)
Tire air pressure, solo	
front	2.0 bar (29 psi)
rear	2.0 bar (29 psi)
Tire air pressure with passenger / full payload	
front	2.0 bar (29 psi)

rear	2.2 bar (32 psi)
Secondary ratio	15:46
Chain	5/8 x 1/4" (520) X-ring
Steering head angle	65°
Wheelbase	1,357 ± 15.5 mm (53.43 ± 0.61 in)
Seat height, unloaded	830 mm (32.68 in)
Ground clearance, unloaded	185 mm (7.28 in)
Dry weight	149 kg (328 lb.)
Maximum permissible front axle load	125 kg (276 lb.)
Maximum permissible rear axle load	210 kg (463 lb.)
Maximum permissible overall weight	335 kg (739 lb.)

22.5 Electrical system

Battery	ETZ-9-BS	Battery voltage: 12 V Nominal capacity: 8 Ah Maintenance-free
Fuse	75011088010	10 A
Fuse	75011088015	15 A
Fuse	90111088025	25 A
Fuse	75011088030	30 A
Headlight	H4/socket P43t	12 V 60/55 W

22 TECHNICAL DATA

Parking light	W5W/socket W2.1x9.5d	12 V 5 W
Instrument lights and indicator lamps	LED	
Turn signal	LED	
Brake/tail light	LED	
License plate lamp	LED	

22.6 Tires

Front tire	Rear tire
110/70 R 17 M/C 54H TL Metzeler Sportec M5 Interact	150/60 R 17 M/C 66H TL Metzeler Sportec M5 Interact
110/70 R 17 M/C 54H TL MRF revz FC	150/60 R 17 M/C 66H TL MRF revz C
110/70 R 17 M/C 54H TL Michelin Pilot Street Radial	150/60 R 17 M/C 66H TL Michelin Pilot Street Radial
The tires specified represent one of the possible series production tires. Additional information is available in the Service section under: http://www.ktm.com	

22.7 Fork

Fork article number	93301000033	
Fork	WP Suspension	
Fork length	744 mm (29.29 in)	
Fork oil	450 ml (15.21 fl. oz.)	Fork oil (SAE 5) (🗨️ p. 232)

22.8 Shock absorber

Shock absorber article number	93304010000	
Shock absorber	WP Suspension	
Spring preload		
Standard	5 clicks	
Static sag	14 mm (0.55 in)	
Riding sag	47 mm (1.85 in)	
Fitted length	304 mm (11.97 in)	

22.9 Chassis tightening torques

Screw, chain guard	EJOT PT® K60x30	7 Nm (5.2 lbf ft)
Remaining screws, chassis	M4	4 Nm (3 lbf ft)
Remaining nuts, chassis	M5	5 Nm (3.7 lbf ft)

22 TECHNICAL DATA

Remaining screws, chassis	M5	5 Nm (3.7 lbf ft)	
Screw, chain guard	M5	7 Nm (5.2 lbf ft)	Loctite®243™
Screw, compensating tank cap lock, rear brake	M5	9 Nm (6.6 lbf ft)	
Screw, fuel tank cover	M5	4 Nm (3 lbf ft)	
Screw, outer clutch cable guide	M5	5 Nm (3.7 lbf ft)	Loctite®243™
Screw, side stand switch	M5	5 Nm (3.7 lbf ft)	Loctite®243™
Screw, tail light	M5	5 Nm (3.7 lbf ft)	
Nut, foot brake lever adjustment	M6	9 Nm (6.6 lbf ft)	
Remaining nuts, chassis	M6	10 Nm (7.4 lbf ft)	
Remaining screws, chassis	M6	10 Nm (7.4 lbf ft)	
Screw, ABS hose clamp (Option: With ABS)	M6	7 Nm (5.2 lbf ft)	
Screw, ABS module (Option: With ABS)	M6	10 Nm (7.4 lbf ft)	
Screw, ABS module retaining bracket on frame	M6	7 Nm (5.2 lbf ft)	
Screw, air filter box	M6	6 Nm (4.4 lbf ft)	
Screw, brake fluid reservoir of rear brake	M6	8 Nm (5.9 lbf ft)	Loctite®243™

Screw, brake hose clamp	M6	7 Nm (5.2 lbf ft)
Screw, cable holder, side stand switch	M6	9 Nm (6.6 lbf ft) Loctite®243™
Screw, chain sliding guard	M6	7 Nm (5.2 lbf ft)
Screw, combination instrument	M6	7 Nm (5.2 lbf ft)
Screw, compensating tank	M6	5 Nm (3.7 lbf ft)
Screw, damper block	M6	8 Nm (5.9 lbf ft)
Screw, engine sprocket cover	M6	8 Nm (5.9 lbf ft)
Screw, foot brake cylinder	M6	9 Nm (6.6 lbf ft) Loctite®243™
Screw, front fender	M6	7 Nm (5.2 lbf ft)
Screw, front seat fixing	M6	6 Nm (4.4 lbf ft)
Screw, front spoiler	M6x13	9 Nm (6.6 lbf ft)
Screw, front spoiler rear	M6x9	9 Nm (6.6 lbf ft)
Screw, fuel pump	M6	10 Nm (7.4 lbf ft)
Screw, fuel tank holder evaporation valve	M6	9 Nm (6.6 lbf ft)
Screw, headlight	M6	8 Nm (5.9 lbf ft)
Screw, ignition coil	M6	8 Nm (5.9 lbf ft)
Screw, ignition lock (tamper-proof screw)	M6	13 Nm (9.6 lbf ft)

22 TECHNICAL DATA

Screw, license plate holder	M6	12 Nm (8.9 lbf ft) Loctite®243™
Screw, lower rear panel	M6	7 Nm (5.2 lbf ft)
Screw, magnetic holder on side stand	M6	5 Nm (3.7 lbf ft) Loctite®243™
Screw, main silencer	M6	12 Nm (8.9 lbf ft)
Screw, main silencer retaining bracket	M6	9 Nm (6.6 lbf ft)
Screw, protective plate	M6	8 Nm (5.9 lbf ft)
Screw, radiator holder	M6	10 Nm (7.4 lbf ft)
Screw, radiator shield	M6	7 Nm (5.2 lbf ft)
Screw, rear ABS sensor wheel (Option: With ABS)	M6	8 Nm (5.9 lbf ft) Loctite®243™
Screw, rear splash protector	M6	9 Nm (6.6 lbf ft)
Screw, rollover sensor	M6	8 Nm (5.9 lbf ft) Loctite®243™
Screw, shift lever linkage	M6	11 Nm (8.1 lbf ft) Loctite®243™
Screw, wheel speed sensor holder (Option: With ABS)	M6	8 Nm (5.9 lbf ft)
Nut, rear sprocket	M8	27 Nm (19.9 lbf ft)
Remaining nuts, chassis	M8	25 Nm (18.4 lbf ft)
Remaining screws, chassis	M8	25 Nm (18.4 lbf ft)

Screw, bottom triple clamp	M8	12 Nm (8.9 lbf ft)
Screw, engine bearer	M8	22 Nm (16.2 lbf ft)
Screw, foot brake lever	M8	16 Nm (11.8 lbf ft) Loctite®243™
Screw, fork stub	M8	15 Nm (11.1 lbf ft)
Screw, front brake caliper	M8	30 Nm (22.1 lbf ft) Loctite® 204™
Screw, front brake disc	M8	30 Nm (22.1 lbf ft) Loctite®243™
Screw, front seat fixing	M8	25 Nm (18.4 lbf ft)
Screw, front wheel spindle	M8	25 Nm (18.4 lbf ft)
Screw, fuel tank	M8	20 Nm (14.8 lbf ft)
Screw, grab handle	M8	22 Nm (16.2 lbf ft)
Screw, handlebar clamp	M8	20 Nm (14.8 lbf ft) Loctite®243™
Screw, horn	M8	12 Nm (8.9 lbf ft)
Screw, main silencer	M8	23 Nm (17 lbf ft)
Screw, passenger foot pegs bracket	M8	22 Nm (16.2 lbf ft) Loctite®243™
Screw, rear brake disc	M8	21 Nm (15.5 lbf ft) Loctite®243™
Screw, rear frame	M8	25 Nm (18.4 lbf ft) Loctite®243™

22 TECHNICAL DATA

Screw, rear seat fixing	M8	18 Nm (13.3 lbf ft)	
Screw, seat support plate	M8	18 Nm (13.3 lbf ft)	
Screw, top triple clamp	M8	15 Nm (11.1 lbf ft)	
Banjo bolt, brake line	M10	24 Nm (17.7 lbf ft)	
Fitting side stand	M10	35 Nm (25.8 lbf ft)	Loctite®243™
Remaining nuts, chassis	M10	45 Nm (33.2 lbf ft)	
Remaining screws, chassis	M10	45 Nm (33.2 lbf ft)	
Screw, engine bearer	M10	49 Nm (36.1 lbf ft)	Loctite®243™
Fitting, handlebar support	M10x1.25	20 Nm (14.8 lbf ft)	
Fitting, shock absorber, bottom	M10x1.25	51 Nm (37.6 lbf ft)	Loctite®243™
Nut, mirror, left	M10x1.25	16 Nm (11.8 lbf ft)	
Nut, mirror, right	M10LHx1.25	16 Nm (11.8 lbf ft)	
Screw, front footrest bracket	M10x1.25	44 Nm (32.5 lbf ft)	Loctite®243™
Screw, front footrest bracket / engine bearer	M10x1.25	49 Nm (36.1 lbf ft)	
Screw, side stand bracket	M10x1.25	25 Nm (18.4 lbf ft)	Loctite®243™
Screw, top shock absorber	M10x1.25	51 Nm (37.6 lbf ft)	Loctite®243™

Stud, rear sprocket	M10x1.25	50 Nm (36.9 lbf ft)
Nut, rear wheel spindle	M14x1.5	98 Nm (72.3 lbf ft)
Nut, swingarm pivot	M14x1.5	98 Nm (72.3 lbf ft)
Screw, steering head, top	M16x1.5	49 Nm (36.1 lbf ft) Loctite®243™
Lambda sensor	M18x1.5	19 Nm (14 lbf ft)
Swingarm bearing adjusting ring	M22x1	Tighten and ensure that there is no play
Nut, steering head	M30x1	1st stage 45 Nm (33.2 lbf ft) 2nd stage (loosen, counterclockwise) 2 turns 3rd stage 5 Nm (3.7 lbf ft)

Brake fluid DOT 4 / DOT 5.1

Standard/classification

- DOT

Guideline

- Use only brake fluid that complies with the specified standard (see specifications on the container) and that exhibits the corresponding properties.

Recommended supplier

Castrol

- **REACT PERFORMANCE DOT 4**

Motorex®

- **Brake Fluid DOT 5.1**

Coolant

Guideline

- Only use high-grade, silicate-free coolant with corrosion inhibitor additive for aluminum motors. Low grade and unsuitable antifreeze causes corrosion, deposits and frothing.
- Do not use pure water as only coolant is able to meet the requirements needed in terms of corrosion protection and lubrication properties.
- Only use coolant that complies with the requirements stated (see specifications on the container) and that has the relevant properties.

Antifreeze protection to at least	-25 °C (-13 °F)
-----------------------------------	-----------------

The mixture ratio must be adjusted to the necessary antifreeze protection. Use distilled water if the coolant needs to be diluted.

The use of premixed coolant is recommended.

Observe the coolant manufacturer specifications for antifreeze protection, dilution and miscibility (compatibility) with other coolants.

Recommended supplier

Motorex®

- **COOLANT M3.0**

Engine oil (SAE 15W/50)

Standard/classification

- JASO T903 MA2 (📖 p. 236)
- SAE (📖 p. 236) (SAE 15W/50)

Guideline

- Use only engine oils that comply with the specified standards (see specifications on the container) and that possess the corresponding properties.

Partially synthetic engine oil

Recommended supplier

Motorex®

- **Formula 4T**

Fork oil (SAE 5)

Standard/classification

- SAE (📖 p. 236) (SAE 5)

Guideline

- Use only oils that comply with the specified standards (see specifications on the container) and that possess the corresponding properties.

Recommended supplier

Motorex®

- Racing Fork Oil

Gasohol 95 E20 (RON 95)

Standard/classification

- Gasohol 95 E20 (RON 95)

Guideline

- Only use super unleaded fuel that matches or is equivalent to the specifications.
- Super unleaded fuel with an ethanol content of 19 to 20% is permissible.



Info

Do **not** use fuel made of methanol (e. g. M15, M85, M100).

Do **not** use fuel with less than 19% ethanol (e. g. E10).

Do **not** use fuel with more than 20% ethanol (e. g. E30, E85, E100).

Super unleaded (ROZ 95/RON 95/PON 91)

Standard/classification

- DIN EN 228 (ROZ 95/RON 95/PON 91)

Guideline

- Only use unleaded super fuel that matches or is equivalent to the specified fuel grade.
- Fuel with an ethanol content of up to 10 % (E10 fuel) is safe to use.



Info

Do **not** use fuel containing methanol (e. g. M15, M85, M100) or more than 10 % ethanol (e. g. E15, E25, E85, E100).

Super unleaded, type C (ROZ 95/RON 95/PON 91)

Standard/classification

- ANP (Agência Nacional do Petróleo) #57 (ROZ 95/RON 95/PON 91)

Guideline

- Only use super unleaded fuel that matches or is equivalent to the following specifications.
- Super unleaded fuel with an ethanol content of 19 to 27 % is permissible.



Info

Do **not** use fuel made of methanol (e. g. M15, M85, M100).

Do **not** use fuel with less than 19 % ethanol (e. g. E10).

Do **not** use fuel with more than 27 % ethanol (e. g. E30, E85, E100).

Chain cleaner

Recommended supplier

Motorex®

- Chain Clean

Chain lube for road use

Guideline

Recommended supplier

Motorex®

- Chainlube Road

Fuel additive

Recommended supplier

Motorex®

- Fuel Stabilizer

Long-life grease

Recommended supplier

Motorex®

- Bike Grease 2000

Motorcycle cleaner

Recommended supplier

Motorex®

- Moto Clean

Perfect Finish and high gloss polish for paints

Recommended supplier

Motorex®

- Moto Polish & Shine

Preserving materials for paints, metal and rubber

Recommended supplier

Motorex®

- Moto Protect

Special cleaner for glossy and matte paint finishes, metal and plastic surfaces

Recommended supplier

Motorex®

- Quick Cleaner

Universal oil spray

Recommended supplier

Motorex®

- Joker 440 Synthetic

JASO T903 MA2

Different technical development directions required a separate specification for motorcycles – the **JASO T903 MA2** standard.

Earlier, engine oils from the automobile industry were used for motorcycles because there was no separate motorcycle specification.

Whereas long service intervals are demanded for automobile engines, the focus for motorcycle engines is on high performance at high engine speeds.

In most motorcycle engines, the transmission and clutch are lubricated with the same oil.

The **JASO T903 MA2** standard meets these special requirements.

SAE

The SAE viscosity classes were defined by the Society of Automotive Engineers and are used for classifying oils according to their viscosity. The viscosity describes only one property of oil and says nothing about quality.


ABS	ABS	Safety system that prevents locking of the wheels when driving straight ahead without the influence of lateral forces
OBD	On-board diagnosis	Vehicle system, which monitors the specified parameters of the vehicle electronics

27 LIST OF ABBREVIATIONS

Art. no.	Article number
ca.	circa
cf.	compare
e.g.	for example
etc.	et cetera
i.a.	inter alia
no.	number
poss.	possibly




28.1 Red symbols

Red symbols indicate an error condition that requires immediate intervention.

	The immobilizer indicator lamp lights up red – Status or error message for immobilizer.
---	---


28.2 Yellow and orange symbols

Yellow and orange symbols indicate an error condition that requires prompt intervention. Active driving aids are also represented by yellow or orange symbols.



	Malfunction indicator lamp lights up yellow – The OBD has detected an error in the vehicle electronics.
	The general warning lamp flashes yellow – An operating safety/warning note was detected. This is also shown in the display.
	ABS warning lamp lights up yellow – Status or error messages relating to ABS.

28.3 Green and blue symbols

Green and blue symbols reflect information.

	The turn signal indicator lamp flashes green simultaneously with the turn signal – The turn signal is switched on.
---	--

28 LIST OF SYMBOLS

	The idle indicator lamp lights up green – The transmission is in idle.
	The high beam indicator lamp lights up blue – The high beam is switched on.

A	
ABS	121
ABS fuses	
changing	160
ACC1	
front	174
ACC2	
front	174
Accessories	16
Antifreeze	
checking	177
Antilock brake system	121
Applying the brakes	85
Auxiliary substances	16
B	
Battery	
installing	156
recharging	157
removing	154
Brake discs	
checking	123

Brake fluid	
front brake, adding	125
rear brake, adding	134
Brake fluid level	
front brake, checking	124
rear brake, checking	133
Brake linings	
front brake, checking	128
rear brake, checking	137
Brakes	85
C	
Capacity	
coolant	219
engine oil	219
fuel	93-94, 219
Chain	
chain dirt accumulation, checking	111
checking	116
cleaning	111
Chain tension	
adjusting	114
checking	113
Chassis number	24

Clutch lever	26	TRIP F display	56
Clutch lever play		warning notes	43
checking	191	Coolant	
Combination instrument		changing	186
activation and test	42	draining	182
Actual F.C.	60	Coolant level	
Average Speed Trip1	62	checking	177, 180
Average Speed Trip2	65	Cooling system	175
Avg F.C. Trip 1	63	filling/bleeding	183
Avg F.C. Trip 2	66	Customer service	17
coolant temperature indicator	54	D	
display	52	Diagnostics connector	173
Error display	57	E	
fuel level display	53	Electric starter button	30
Fuel Range	58	Emergency OFF switch	30
function buttons	55	Engine	
indicator lamps	48	running in	74
ODO display	58	Engine number	25
overview	41	Engine oil	
Service	59	adding	199
shift warning light	50	changing	195
Time Trip 1	61		
Time Trip 2	64		
TRIP 1 display	61		
TRIP 2 display	64		

Engine oil level		
checking	194
Engine sprocket		
checking	116
Environment	14
F		
Figures	17
Filler cap		
closing	35
opening	33
Filling up		
fuel	92
Foot brake lever	39
free travel, adjusting	131
free travel, checking	129
Fork legs		
dust boots, cleaning	106
Front rider's seat		
mounting	110
removing	109
Front spoiler		
installing	120
removing	119
Front wheel		
installing	140
removing	139
Fuse		
individual power consumers, changing	163
G		
Grab handles	37
H		
Hand brake lever	26
Headlight bulb		
changing	168
Headlight setting		
adjusting	172
checking	171
High beam flasher button	28
Horn button	27
I		
Ignition lock	31
Implied warranty	16
Indicator lamps	48
K		
Key number	25

L	
Light switch	28
Loading the vehicle	74
Luggage	74
M	
Misuse	10
Motorcycle	
cleaning	201
lifting with front lifting gear	103
raising with the rear lifting gear	102
removing the rear from the lifting gear	102
taking off front lifting gear	105
O	
Oil filter	
changing	195
Oil screens	
cleaning	195
Operating substances	16
Owner's Manual	15
P	
Parking	89
Passenger foot pegs	37

Passenger seat	
mounting	109
removing	108
Play in the clutch lever	
adjusting	193
Play in throttle cable	
adjusting	191
Preparing for use	
advice on preparing for first use	72
after storage	208
checks and maintenance measures when preparing for use	77
Protective clothing	13
R	
Rear hub rubber dampers	
checking	148
Rear sprocket	
checking	116
Rear wheel	
installing	145
removing	143
Riding	81
starting off	80

S	
Safe operation	12
Seat lock	36
Service	17
Service schedule	95-98
Shift lever	38
adjusting	100
Shift speed RPM1	
adjusting	69
Shift speed RPM2	
adjusting	70
Shifting	81
Shock absorber	
spring preload, adjusting	99
Side stand	39
Spare parts	16
Starting	78
Steering	
locking	31
unlocking	32
Steering lock	31
Stopping	89
Storage	206

T	
Technical data	
capacities	219
chassis	220
chassis tightening torques	223
electrical system	221
engine	213
engine tightening torques	214
fork	223
shock absorber	223
tires	222
Throttle cable play	
checking	190
Throttle grip	27
Time	
adjusting	68
Tire air pressure	
checking	152
Tire condition	
checking	150
Tool set	36
Transport	90
Troubleshooting	209-212

Turn signal switch	29
Type label	24
U	
Units	
adjusting	66
Use definition	10
V	
View of vehicle	
front left	20
rear right	22
W	
Warranty	16
Winter operation	
checks and maintenance steps	204
Work rules	14

READY TO RACE

[» www.ktm.com](http://www.ktm.com)



3213781en

01/2018

KTM Sportmotorcycle GmbH
3230 Mattighofen/Austria
<http://www.ktm.com>



REG. NO. 12 100 6061

Photo: Mitterbauer/KTM