

# DCP-8060 DCP-8065DN Quick Setup Guide

Before you can use the machine, you must set up the hardware and install the software. Please read this "Quick Setup Guide" for the correct setup procedure and installation instructions.

## Step 1



### Setting Up the machine

## Step 2



### Installing the Drivers & Software



### Setup is Complete!

Keep this "Quick Setup Guide", User's Guide and supplied CD-ROM in a convenient place for quick and easy reference at all times.

Setting Up  
the machine

Windows®  
USB

Windows®  
Parallel

Windows  
NT® 4.0  
Parallel






Windows®  
Network

Macintosh®  
USB

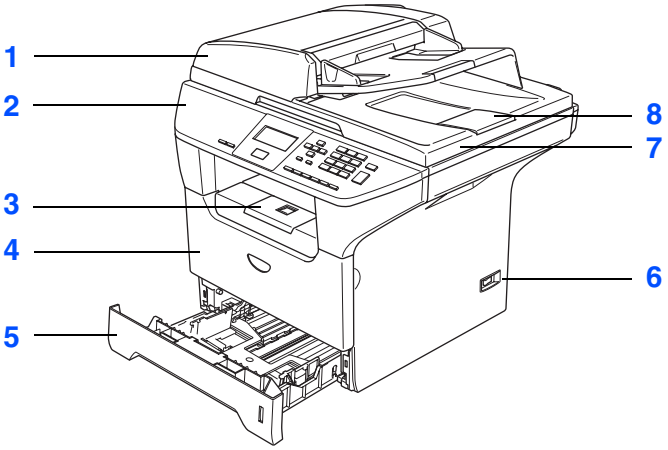
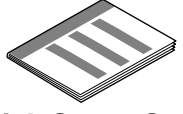



Macintosh®  
Network

Network  
Administrators

Installing the Drivers & Software

 <b>Warning</b>	 <b>Caution</b>	 <b>Improper Setup</b>	 <b>Note</b>	 <b>User's Guide</b>
<p>Warnings tell you what to do to prevent possible personal injury.</p>	<p>Cautions specify procedures you must follow or avoid to prevent possible damage to the machine or other objects.</p>	<p>Improper Setup icons alert you to devices and operations that are not compatible with the machine.</p>	<p>Notes tell you how you should respond to a situation that may arise or give tips about how the current operation works with other features.</p>	<p>Indicates reference to the User's Guide.</p>

## Carton Components

 <b>1.</b> Automatic Document Feeder (ADF) <b>2.</b> Control Panel <b>3.</b> Face-down Output Tray Support Flap (Support Flap) <b>4.</b> Front Cover <b>5.</b> Paper Tray <b>6.</b> Power Switch <b>7.</b> Document Cover <b>8.</b> ADF Document Output Support Flap	 <b>Quick Setup Guide</b>
	 <b>CD-ROMs For Windows® For Macintosh®</b>
	 <b>AC Power Cord</b>
	 <b>Drum Unit Assembly (including Toner Cartridge)</b>

Carton components may differ from one country to another. Save all packing materials and the carton.



### **Austraria & New Zealand users:**



The mains plug supplied with this machine is a grounded three pin plug. Make sure that the AC socket will accept this grounded three pin plug. This machine must be grounded, If in doubt, call a qualified electrician.

### **Hong Kong, Malaysia & Singapore users:**



### **Philippine & Thailand users:**

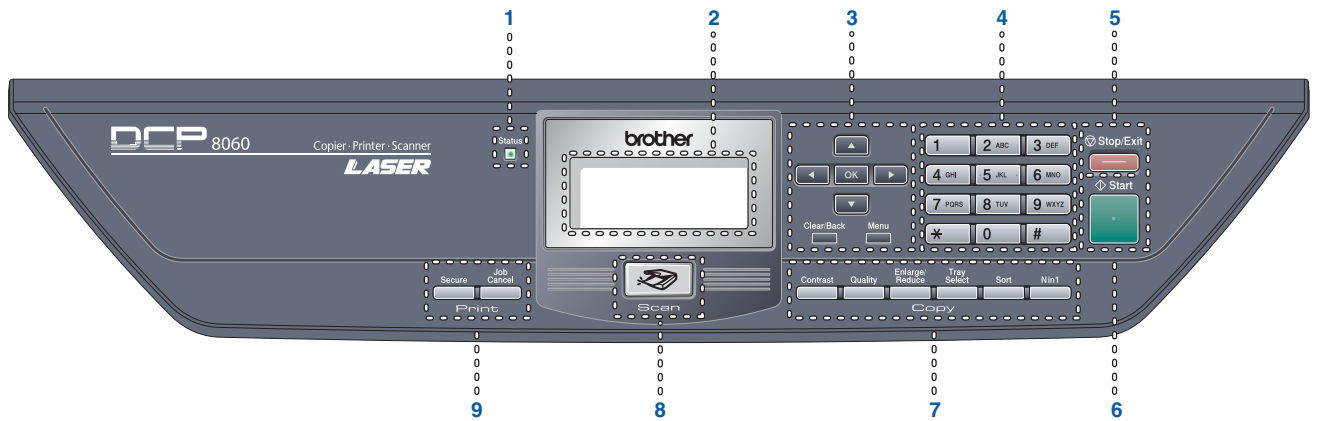


The mains plug supplied with this machine is a side grounded two pin plug. Make sure that the AC socket will accept this side grounded two pin plug. This machine must be grounded, If in doubt, call a qualified electrician.

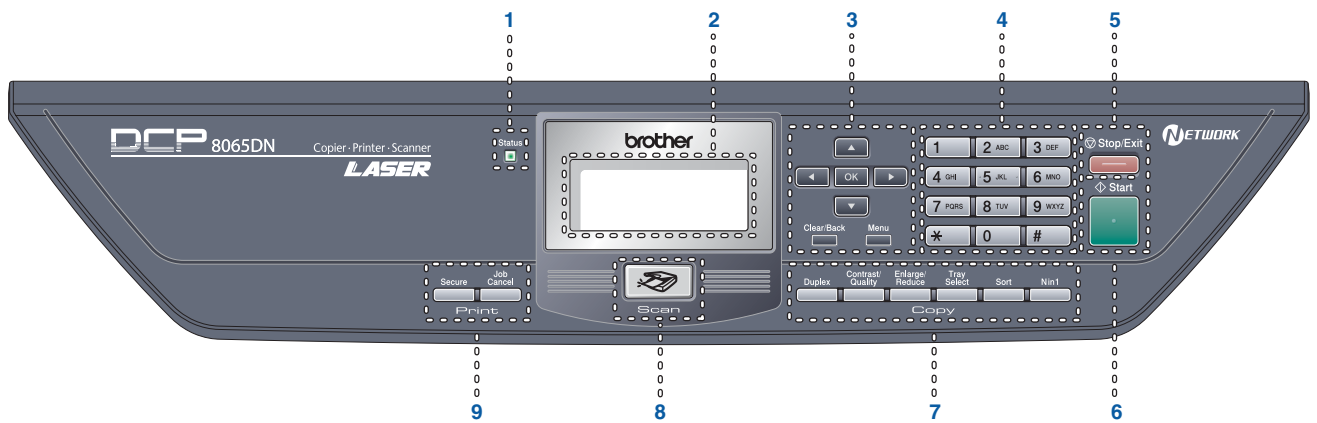
- To ensure safe operation the supplied plug must be inserted only into a standard power outlet that is properly grounded through the standard electrical wiring. None grounded equipment may cause an electrical shock hazard, and may cause excessive electrical noise radiation.
- The interface cable is not a standard accessory. Please purchase the appropriate interface cable for the interface you intend to use (Parallel, USB or Network).
- Do NOT connect the interface cable at this time. Connecting the interface cable is done during the software installation process.
- **USB interface cable**  
Please make sure you use a USB 2.0 interface cable that is no longer than 2.0 meters.  
When you use a USB cable, make sure you connect it to the USB port of your computer and not to a USB port on a keyboard or non-powered USB hub.
- **Parallel interface cable**  
Please make sure you use a Parallel interface cable that is no longer than 2.0 meters.  
Use a shielded interface cable that is IEEE 1284-compliant.
- **Network cable (DCP-8065DN only)**  
Use a straight-through Category5 (or greater) twisted-pair cable for 10BASE-T or 100Base-TX Fast Ethernet Network.

# Control Panel

## DCP-8060



## DCP-8065DN



1	Status LED	2	LCD (Liquid Crystal Display)	3	Menu keys
4	Dial Pad	5	Stop/Exit key	6	Start key
7	Copy keys	8	Scan key	9	Print keys



For the details of the control panel, see "Control panel overview" in Chapter 1 of the User's Guide.

# Table of Contents

## Step 1 **Setting Up the machine**

1. Install the Drum Unit and Toner Cartridge Assembly .....	4
2. Load Paper in the Paper Tray .....	5
3. Release the Scanner Lock .....	6
4. Connect the Power Cord .....	6
5. Setting the LCD Contrast .....	7

## Step 2 **Installing the Drivers & Software**

Windows®	Supplied CD-ROM “MFL-Pro Suite” .....	8
	For USB Interface Cable Users (For Windows® 98/98SE/Me/2000 Professional/XP/XP Professional x64 Edition) ....	10
	For Parallel Interface Cable Users (For Windows® 98/98SE/Me/2000 Professional/XP/XP Professional x64 Edition) ....	12
	For Windows NT® Workstation Version 4.0 Users .....	15
	For Network Interface Cable Users (DCP-8065DN only) (For Windows® 98/98SE/Me/NT/2000 Professional/XP/XP Professional x64 Edition) ...	17
Macintosh®	For USB Interface Cable Users .....	20
	■ For Mac OS® 9.1 to 9.2 .....	20
	■ For Mac OS® X 10.2.4 or greater .....	22
	For Network Interface Cable Users (DCP-8065DN only) .....	25
	■ For Mac OS® 9.1 to 9.2 .....	25
■ For Mac OS® X 10.2.4 or greater .....	27	

### ■ **For Network Users and Administrators (DCP-8065DN only)**

BRAdmin Professional configuration utility (For Windows® users) .....	30
BRAdmin Light configuration utility (For Mac OS® X users) .....	32

### ■ **Options and Consumables**

Options .....	33
Replacement Consumables .....	33

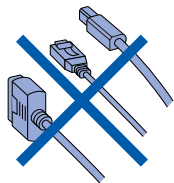
# Step 1

# Setting Up the machine

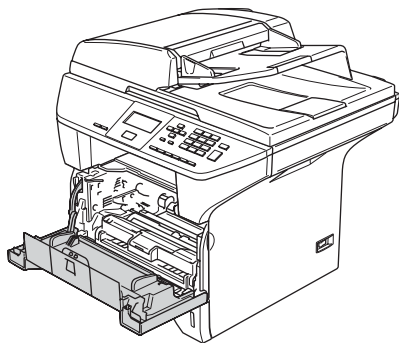
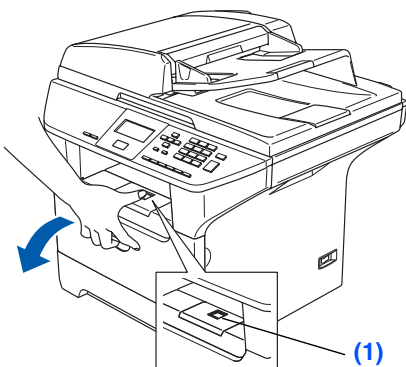
## 1 Install the Drum Unit and Toner Cartridge Assembly



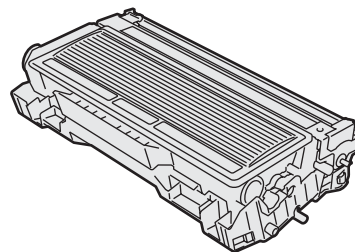
Do not connect the interface cable. Connecting the interface cable is done during the software installation process.



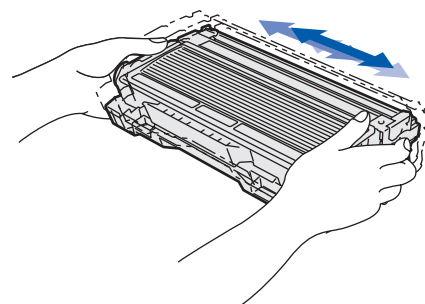
- 1 Open the front cover by pressing the front cover release button (1).



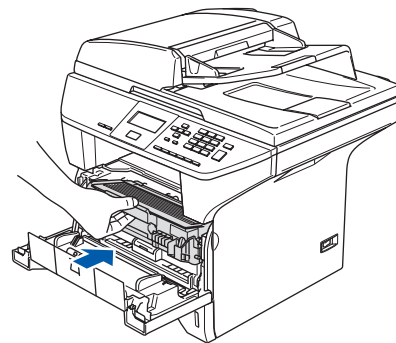
- 2 Unpack the drum unit and toner cartridge assembly.



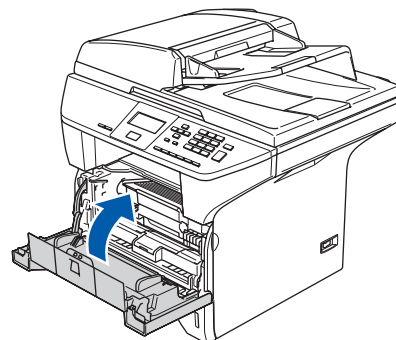
- 3 Gently rock it from side to side several times to distribute the toner evenly inside the cartridge.



- 4 Put the drum unit and toner cartridge into the machine so that it clicks into place.

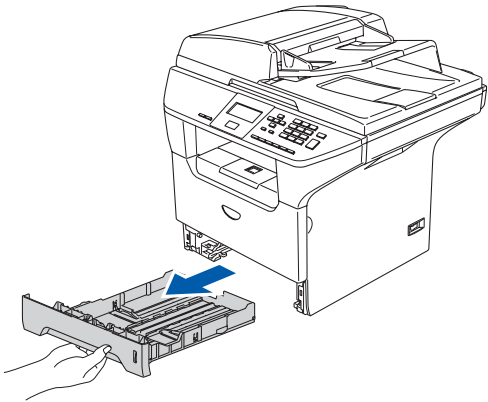


- 5 Close the front cover of the machine.

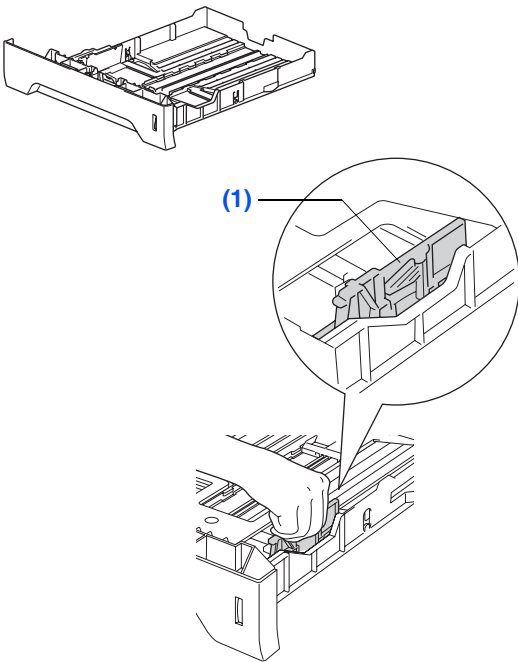


## 2 Load Paper in the Paper Tray

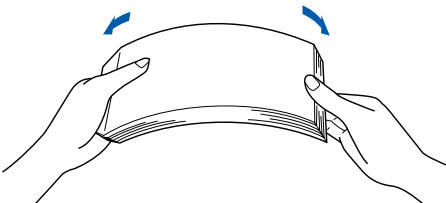
- 1 Pull the paper tray completely out of the machine.



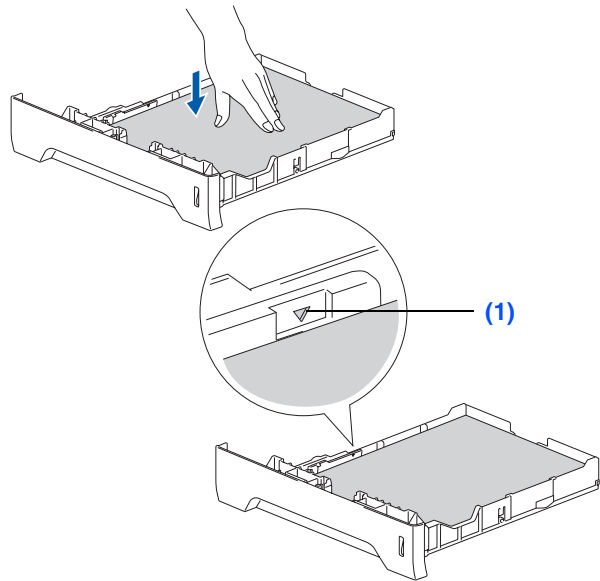
- 2 While pressing the blue paper guide release lever (1), slide the adjusters to fit the paper size. Check that the guides are firmly in the slots.



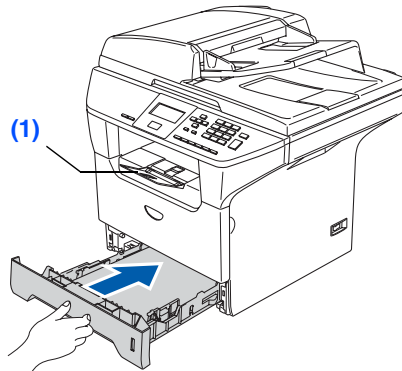
- 3 Fan the stack of paper well to avoid paper jams and misfeeds.




- 4 Put paper in the paper tray. Check that the paper is flat in the tray and below the maximum paper mark (1).



- 5 Put the paper tray firmly back into the machine and unfold the support flap (1) before you use the machine.



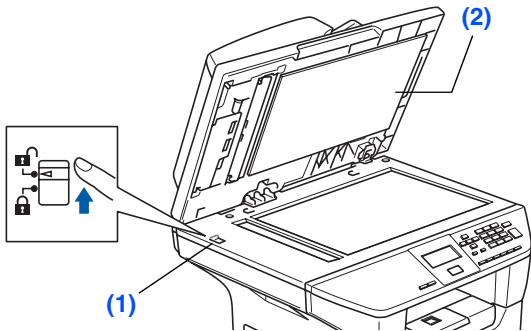
 For details on supported paper specifications, see "Acceptable paper and other media" in Chapter 2 of the User's Guide.

# Step 1

# Setting Up the machine

## 3 Release the Scanner Lock

- 1 Push the lever (1) in the direction shown to unlock the scanner.  
(The gray scanner lock lever is located at the back left side, under the document cover (2).)

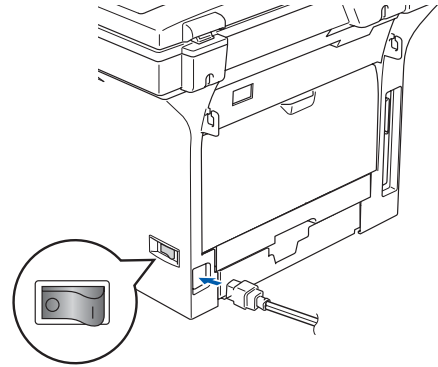


## 4 Connect the Power Cord



Do not connect the Parallel or USB cable yet.

- 1 Make sure that the power switch is off. Connect the AC power cord to the machine.



- 2 Plug the AC power cord into an AC outlet. Turn the power switch on.





*If **Scanner Locked** appears on the LCD, immediately release the scanner lock and press **Stop/Exit**. (See "Release the Scanner Lock" on page 6.)*



## 5 Setting the LCD Contrast

You can change the contrast to help the LCD look lighter or darker.

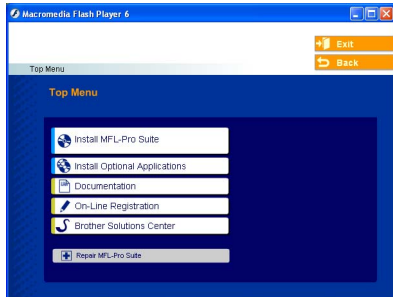
- 1 Press **Menu**.
- 2 Press **1**.
- 3 Press **6**.
- 4 Press  to increase the contrast.  
—OR—  
Press  to decrease the contrast.  
Press **OK**.

Go to the next page to  
install the drivers & software

## Supplied CD-ROM “MFL-Pro Suite”

The CD-ROM includes the following items:

### Windows®



#### Install MFL-Pro Suite

You can install the MFL-Pro Suite and multifunction drivers.



#### Install Optional Applications

You can install additional MFL-Pro Suite software utilities.



#### Documentation

View the User's Guide and other documents in PDF format (Viewer included). The User's Guide on the CD-ROM includes the Software and Network User's Guide for features available when connected to a computer (e.g. printing, scanning and networking details).



#### On-Line Registration

You will be pointed to the Brother Product Registration Web page for quick registration of your machine.



#### Brother Solutions Center

Brother contact information and web site links offering the latest news and support information.



#### Repair MFL-Pro Suite

(For USB and Parallel cable users only)

If you experience errors while installing the MFL-Pro Suite, you can use this function to automatically repair and re-install the software.



*MFL-Pro Suite includes Printer Driver, Scanner Driver, Brother ControlCenter2, ScanSoft® PaperPort® SE with OCR and True Type® fonts. PaperPort® SE is a document management application for viewing scanned documents.*

### Macintosh®



#### Start Here OS 9.1-9.2

You can install the printer driver, scanner driver and Presto!® PageManager® for Mac OS® 9.1 - 9.2.



#### Start Here OSX

You can install the MFL-Pro Suite that includes the printer driver, scanner driver and the Brother ControlCenter2 for Mac OS® 10.2.4 or greater. You can also install Presto!® PageManager® to add OCR capability to the Brother ControlCenter2 and easily scan, share and organize photos and documents.



#### Readme.html

You can get important information and troubleshooting tips.



#### Documentation

View the User's Guide and other document in PDF format (Viewer included). The User's Guide on the CD-ROM includes the Software and Network User's Guide for features available when connected to a computer (e.g. printing, scanning and networking details).



#### Brother Solutions Center

You can access the Brother Solutions Center, a Web site offering information about your Brother product including FAQs, User's Guides, Driver updates and Tips for using your machine.



#### On-Line Registration

You will be pointed to the Brother Product Registration Web Page for quick registration of your machine.



Follow the instructions on this page for your operating system and interface cable.  
 For the latest drivers and to find the best solution for your problem or question, access the Brother Solutions Center directly from the driver or go to <http://solutions.brother.com>

Setting Up  
the machine

Windows®



**USB Interface Cable Users** ..... Go to page 10  
 (For Windows® 98/98SE/Me/2000 Professional/XP/XP Professional x64 Edition)

Windows®  
USB



**Parallel Interface Cable Users** ..... Go to page 12  
 (For Windows® 98/98SE/Me/2000 Professional/XP/XP Professional x64 Edition)

Windows®  
Parallel



**Windows NT® Workstation Version 4.0 Users** ..... Go to page 15  
 (For Parallel Interface Cable Users)

Windows  
NT® 4.0  
Parallel



**Network Interface Cable Users**..... Go to page 17  
 (DCP-8065DN only)

Windows®  
Network

Macintosh®



**USB Interface Cable Users**  
 ■ For Mac OS® 9.1 to 9.2 ..... Go to page 20  
 ■ For Mac OS® X 10.2.4 or greater ..... Go to page 22

Macintosh®  
USB



**Network Interface Cable Users (DCP-8065DN only)**  
 ■ For Mac OS® 9.1 to 9.2 ..... Go to page 25  
 ■ For Mac OS® X 10.2.4 or greater ..... Go to page 27

Macintosh®  
Network

**For Network Users and Administrators**..... Go to page 30

Network  
Administrators

# Step 2

# Installing the Drivers & Software



## For USB Interface Cable Users

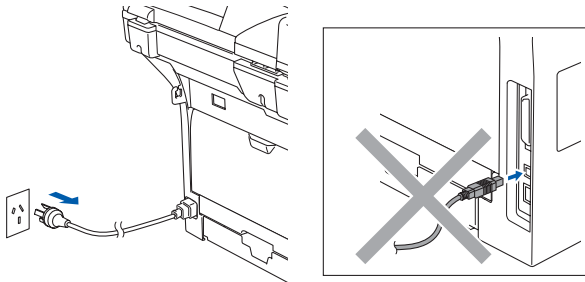
(For Windows® 98/98SE/Me/2000 Professional/XP/XP Professional x64 Edition)

**Make sure that you have finished the instructions from Step 1 “Setting Up the machine” on pages 4 - 7.**



Please close any applications running before installing the MFL-Pro Suite.

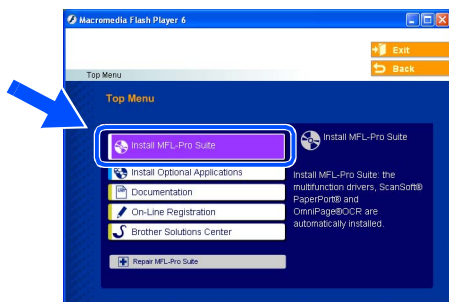
- 1 Switch off the machine and disconnect the machine from the power socket (and from your computer, if you have already connected an interface cable).



- 2 Turn on your computer. (For Windows® 2000 Professional/XP/XP Professional x64 Edition, you must be logged on with Administrator rights.)
- 3 Put the supplied CD-ROM for Windows® into your CD-ROM drive. If the model name screen appears, choose your machine. If the language screen appears, choose your language.

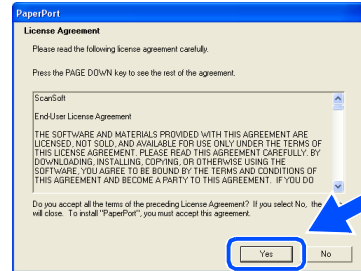


- 4 The CD-ROM main menu will appear. Click **Install MFL-Pro Suite**.



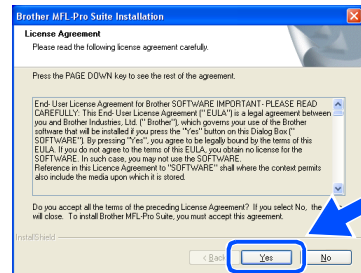
If this window does not appear, use Windows® Explorer to run the **setup.exe** program from the root folder of the Brother CD-ROM.

- 5 After reading and accepting the ScanSoft® PaperPort® SE License Agreement, click **Yes**.

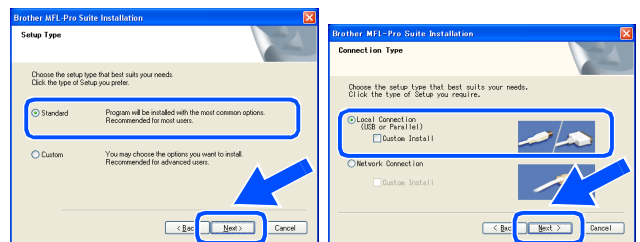


The installation of PaperPort® SE will automatically start and is followed by the installation of MFL-Pro Suite.

- 6 When the Brother MFL-Pro Suite Software License Agreement window appears, click **Yes** if you agree to the Software License Agreement.



- 7 Choose **Standard (DCP-8060)** or **Local Connection (DCP-8065DN)**, and then click **Next**. The installation continues.



(DCP-8060)

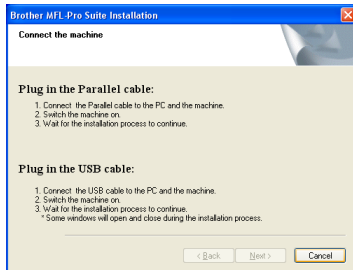
(DCP-8065DN)



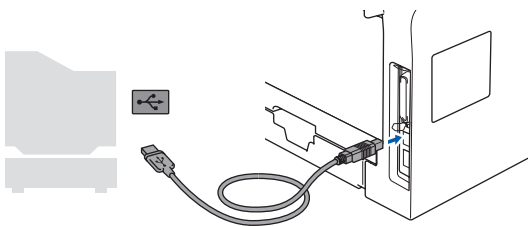
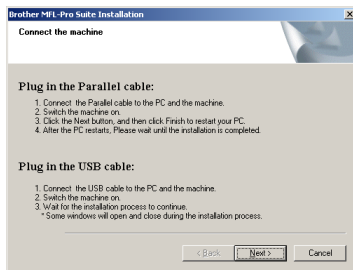
If you want to install the PS driver (BR-Script 3 printer driver), choose **Custom Install** and then follow the on-screen instructions. When the **Select Components** screen appears, check **PS Printer Driver**, and then continue following the on-screen instructions.

- 8 When this screen appears, connect the USB interface cable to your PC, and then connect it to the machine.

(For Windows® XP)

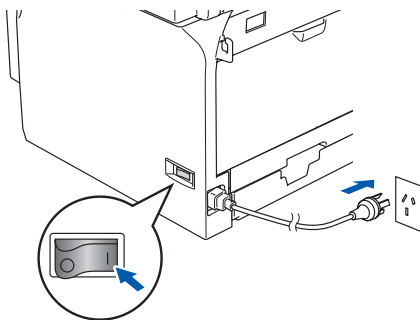


(For Windows® 98/98SE/Me/2000)



**DO NOT** connect the machine to a USB port on a keyboard or a non-powered USB hub. Brother recommends that you connect the machine directly to your computer.

- 9 Plug in the power cord and turn on the machine.

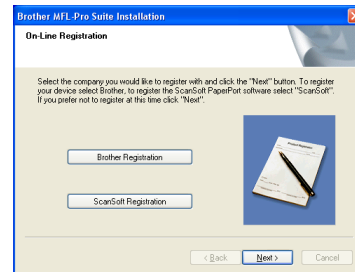


It will take a few seconds for the installation screens to appear.

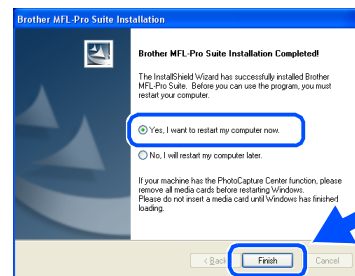
The installation of the Brother drivers will automatically start. The installation screens appear one after another. Please wait, it will take a few seconds for all the screens to appear.

**DO NOT** try to cancel any of the screens during this installation.

- 10 When the On-Line Registration screen is displayed, make your selection and follow the on-screen instructions.



- 11 Click **Finish** to restart your computer. (After restarting the computer, for Windows® 2000 Professional/XP/XP Professional x64 Edition, you must be logged on with Administrator rights.)



After restarting the computer, the **Installation Diagnostics** will run automatically. If the installation is unsuccessful, the installation results window will be shown. If the **Installation Diagnostics** shows a failure, please follow the on-screen instruction or read on-line help and FAQs in **Start/All Programs (Programs)/Brother/MFL-Pro Suite DCP-XXXX** (where XXXX is your model name).

- OK!** The MFL-Pro Suite (including printer driver and scanner driver) has been installed and the installation is now complete.

# Step 2

# Installing the Drivers & Software



## For Parallel Interface Cable Users

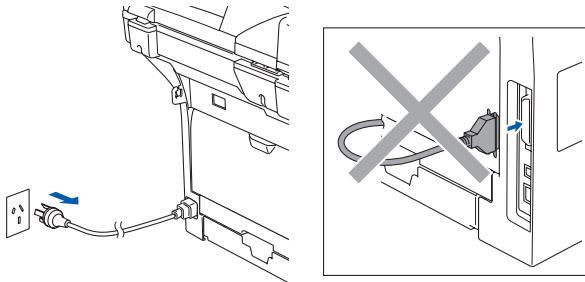
(For Windows® 98/98SE/Me/2000 Professional/XP/XP Professional x64 Edition)

**Make sure that you have finished the instructions from Step 1 “Setting Up the machine” on pages 4 - 7.**



Please close any applications running before installing the MFL-Pro Suite.

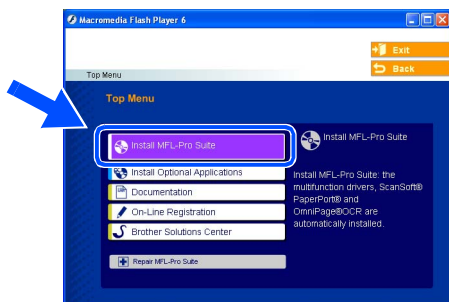
- 1 Switch off the machine and disconnect the machine from the power socket (and from your computer, if you have already connected an interface cable).



- 2 Turn on your computer. (For Windows® 2000 Professional/XP/XP Professional x64 Edition, you must be logged on with Administrator rights.)
- 3 Put the supplied CD-ROM for Windows® into your CD-ROM drive. If the model name screen appears, choose your machine. If the language screen appears, choose your language.

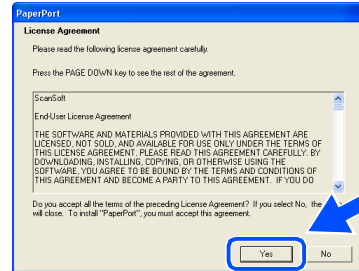


- 4 The CD-ROM main menu will appear. Click **Install MFL-Pro Suite**.



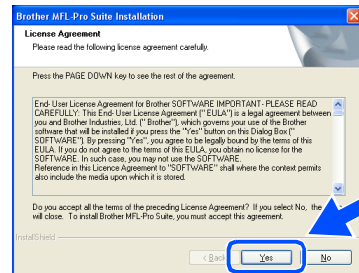
If this window does not appear, use Windows® Explorer to run the **setup.exe** program from the root folder of the Brother CD-ROM.

- 5 After reading and accepting the ScanSoft® PaperPort® SE License Agreement, click **Yes**.

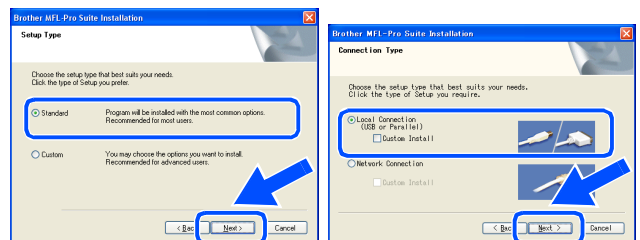


The installation of PaperPort® SE will automatically start and is followed by the installation of MFL-Pro Suite.

- 6 When the Brother MFL-Pro Suite Software License Agreement window appears, click **Yes** if you agree to the Software License Agreement.



- 7 Choose **Standard (DCP-8060)** or **Local Connection (DCP-8065DN)**, and then click **Next**. The installation continues.



(DCP-8060)

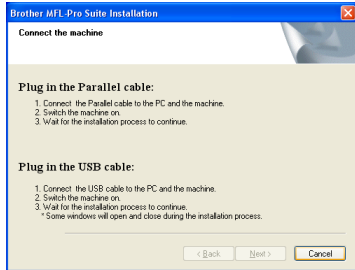
(DCP-8065DN)



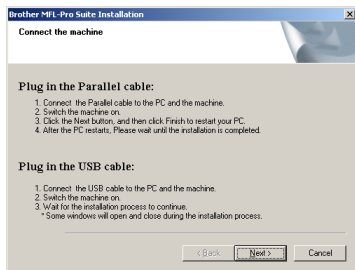
If you want to install the PS driver (BR-Script 3 printer driver), choose **Custom Install** and then follow the on-screen instructions. When the **Select Components** screen appears, check **PS Printer Driver**, and then continue following the on-screen instructions.

- 8 When this screen appears, connect the parallel interface cable to your PC, and then connect it to the machine.

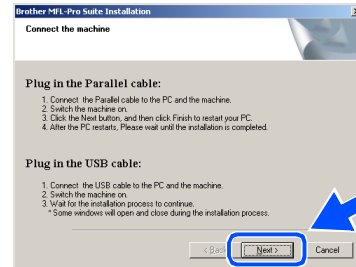
(For Windows® XP)



(For Windows® 98/98SE/Me/2000)



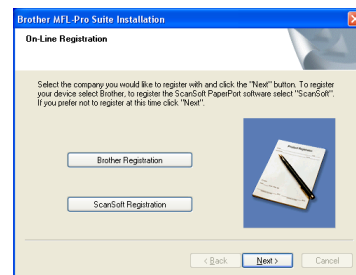
- 10 For Windows® 98/98SE/Me/2000 Professional users, click **Next**.



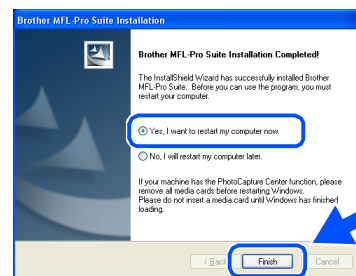
Windows® XP users should wait for a while; installation of the Brother drivers will start automatically. The installation screens appear one after another.

**DO NOT** try to cancel any of the screens during this installation.

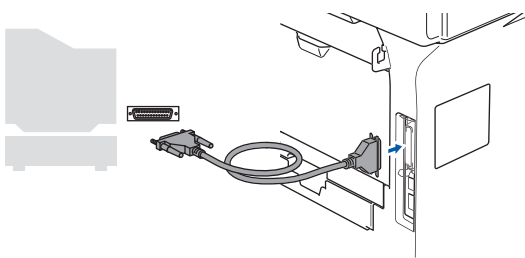
- 11 When the On-Line Registration screen is displayed, make your selection and follow the on-screen instructions.



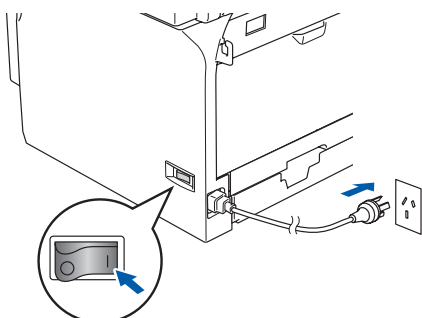
- 12 When the following screen appears, click **Finish** and wait as the PC restarts Windows® and continues the installation.



**DO NOT** plug in the power cord before connecting the parallel interface cable. It may cause damage to your machine. Brother recommends that you connect the machine directly to your computer.



- 9 Plug in the power cord and turn on the machine.



Continued...



## For Parallel Interface Cable Users

(For Windows® 98/98SE/Me/2000 Professional/XP/XP Professional x64 Edition)

- 13 After the computer restarts, the installation of the Brother drivers will automatically start. Follow the instructions on the screen. (For Windows® 2000 Professional/XP/XP Professional x64 Edition, you must be logged on with Administrator rights.)




After restarting the computer, the **Installation Diagnostics** will run automatically. If the installation is unsuccessful, the installation results window will be shown. If the **Installation Diagnostics** shows a failure, please follow the on-screen instruction or read on-line help and FAQs in **Start/All Programs (Programs)/Brother/MFL-Pro Suite DCP-XXXX** (where XXXX is your model name).

- OK!** The MFL-Pro Suite (including printer driver and scanner driver) has been installed and the installation is now complete.




## For Windows NT® Workstation Version 4.0 Users

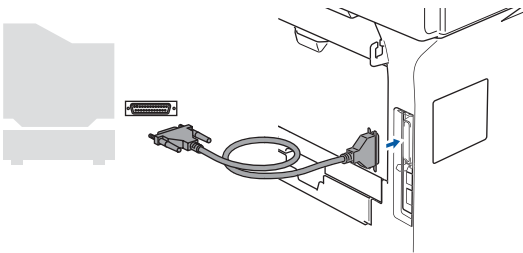
Make sure that you have finished the instructions from Step 1 “Setting Up the machine” on pages 4 - 7.


 Please close any applications running before installing the MFL-Pro Suite.

- 1 Switch off the machine and disconnect the machine from the power socket.
- 2 Turn on your computer. You must be logged on with Administrator rights.

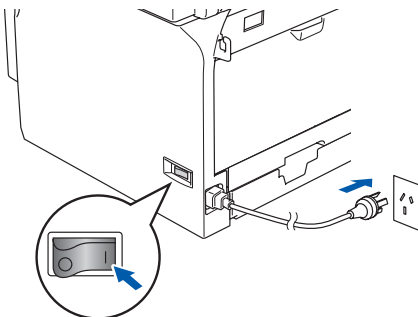
 **DO NOT plug in the power cord before connecting the parallel interface cable. It may cause damage to your machine.**

- 3 Connect the parallel interface cable to your computer, and then connect it to the machine.



 Brother recommends that you connect the machine directly to your computer.

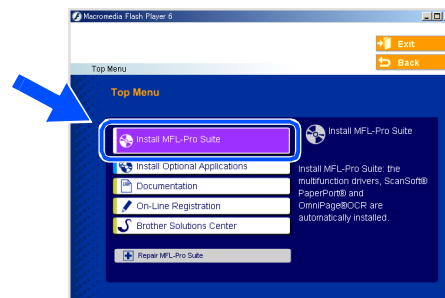
- 4 Plug in the power cord and turn on the machine.




- 5 Put the supplied CD-ROM for Windows® into your CD-ROM drive. If the model name screen appears, choose your machine. If the language screen appears, select your language.

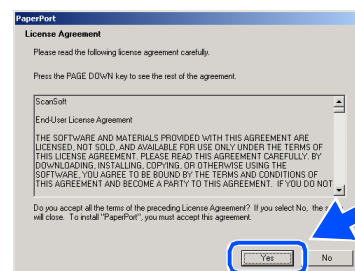


- 6 The CD-ROM main menu will appear. Click **Install MFL-Pro Suite**.



 If this window does not appear, use Windows® Explorer to run the **setup.exe** program from the root folder of the Brother CD-ROM.

- 7 After reading and accepting the ScanSoft® PaperPort® SE License Agreement, click **Yes**.



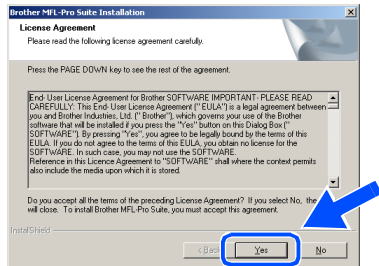
The installation of PaperPort® SE will automatically start and is followed by the installation of MFL-Pro Suite.

Continued...

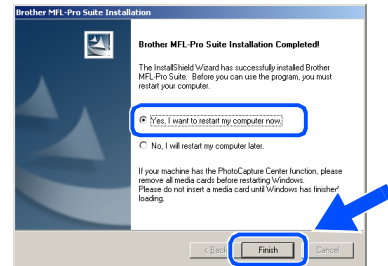


## For Windows NT® Workstation Version 4.0 Users

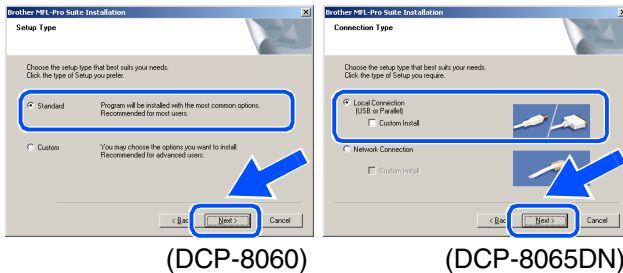
- 8 When the Brother MFL-Pro Suite Software License Agreement window appears, click **Yes** if you agree to the Software License Agreement.



- 11 Click **Finish** and wait as the PC restarts Windows® and continues the installation. (You must be logged on with Administrator rights.)



- 9 Choose **Standard (DCP-8060)** or **Local Connection (DCP-8065DN)**, and then click **Next**. The installation continues.

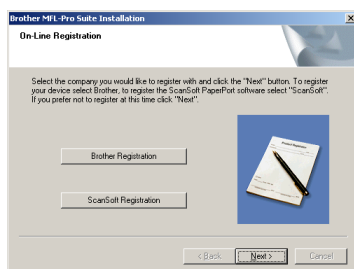


After restarting the computer, the **Installation Diagnostics** will run automatically. If the installation is unsuccessful, the installation results window will be shown. If the **Installation Diagnostics** shows a failure, please follow the on-screen instruction or read on-line help and FAQs in **Start/Programs/Brother/MFL-Pro Suite DCP-XXXX** (where XXXX is your model name).



If you want to install the PS driver (BR-Script 3 printer driver), choose **Custom Install** and then follow the on-screen instructions. When the **Select Components** screen appears, check **PS Printer Driver**, and then continue following the on-screen instructions.

- 10 When the On-Line Registration screen is displayed, make your selection and follow the on-screen instructions.

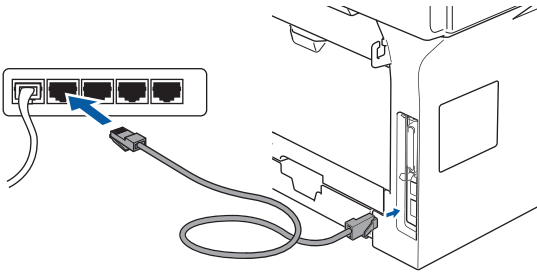


**The MFL-Pro Suite (including printer driver and scanner driver) has been installed and the installation is now complete.**

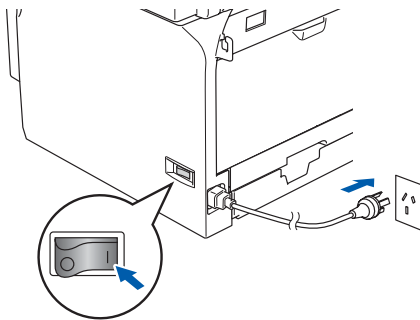
## For Network Interface Cable Users (DCP-8065DN only) (For Windows® 98/98SE/Me/NT/2000 Professional/XP/XP Professional x64 Edition)

Make sure that you have finished the instructions from Step 1 “Setting Up the machine” on pages 4 - 7.

- 1 Switch off and disconnect the machine from the power socket.
- 2 Connect the network cable to the machine, and then connect it to a free port on your hub.



- 3 Plug in the power cord and turn on the machine.



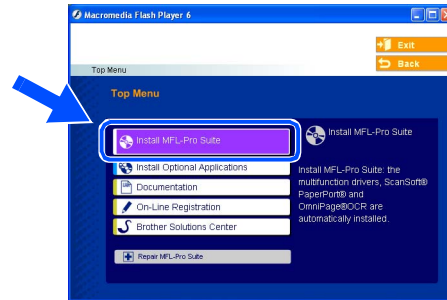
- 4 Turn on your computer. (For Windows® 2000 Professional/XP/XP Professional x64 Edition/Windows NT® 4.0, you must be logged on with Administrator rights.) Close any applications running before installing the MFL-Pro Suite.

*Before installation, if you are using Personal Firewall software, disable it. Once you are sure that you can print after the installation, re-start your Personal Firewall software.*

- 5 Put the supplied CD-ROM for Windows® into your CD-ROM drive. If the model name screen appears, choose your machine. If the language screen appears, select your language.

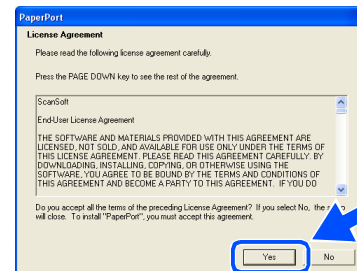


- 6 The CD-ROM main menu will appear. Click **Install MFL-Pro Suite**.



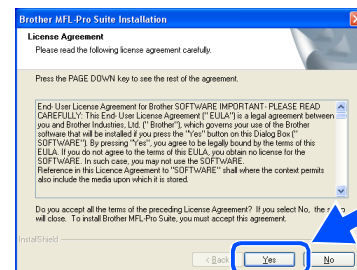
*If this window does not appear, use Windows® Explorer to run the **setup.exe** program from the root folder of the Brother CD-ROM.*

- 7 After reading and accepting the ScanSoft® PaperPort® SE License Agreement, click **Yes**.



The installation of PaperPort® SE will automatically start and is followed by the installation of MFL-Pro Suite.

- 8 When the Brother MFL-Pro Suite Software License Agreement window appears, read the agreement, then click **Yes** if you agree to its terms.



Continued...

# Step 2

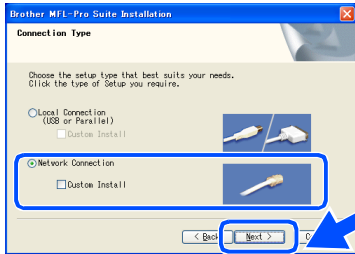
# Installing the Drivers & Software




## For Network Interface Cable Users (DCP-8065DN only)

(For Windows® 98/98SE/Me/NT/2000 Professional/XP/XP Professional x64 Edition)

- 9 Choose **Network Connection** and then click **Next**.

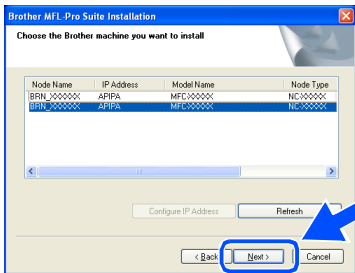



 If you want to install the PS driver (Brother's BR-Script Driver), choose **Custom Install** and then follow the on-screen instructions. When the **Select Components** screen appears, check **PS Printer Driver**, and then continue following the on-screen instructions.

- 10 The installation of the Brother drivers will automatically start. The installation screens appear one after another. Please wait, it will take a few seconds for all the screens to appear.

 **DO NOT** try to cancel any of the screens during this installation.

- 11 If the machine is configured for your network, select your machine from the list and then click **Next**.



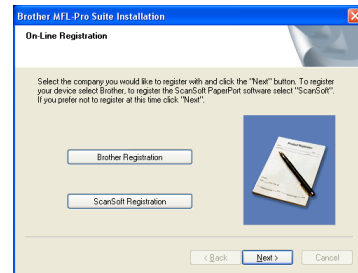
 This window will not appear if there is only one of this Brother model connected on the network, it will be selected automatically.

- 12 If the machine is not yet configured for use on your network, the following screen appears.

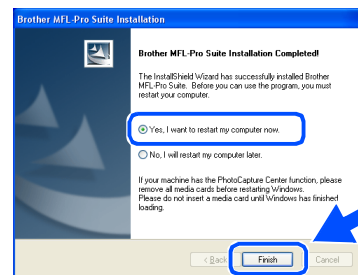



Click **OK**. The **Configure IP Address** window will appear. Enter the IP address information appropriate to your network by following the on-screen instructions.

- 13 When the On-Line Registration screen is displayed, make your selection and follow the on-screen instructions.



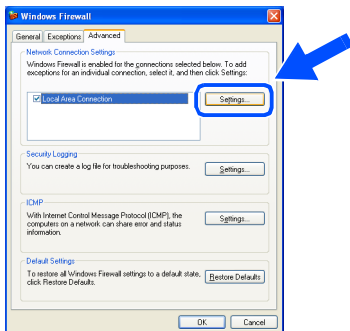
- 14 Click **Finish** to restart your computer. (For Windows® 2000 Professional/XP/XP Professional x64 Edition/Windows NT® 4.0, you must be logged on with Administrator rights.)



 **OK!** The MFL-Pro Suite (including network printer driver and network scanner driver) has been installed and the installation is now complete.

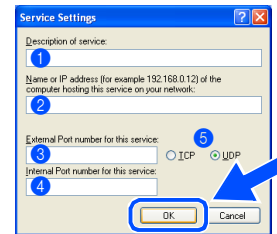


- After restarting the computer, the **Installation Diagnostics** will run automatically. If the installation is unsuccessful, the installation results window will be shown. If the **Installation Diagnostics** shows a failure, please follow the on-screen instruction or read on-line help and FAQs in **Start/All Programs (Programs)/Brother/MFL-Pro Suite DCP-XXXX** (where XXXX is your model name).
- Once you are sure that you can print after the installation, restart your Firewall software.
- Firewall settings on your PC may reject the necessary network connection for Network Scanning. Follow the instructions below to configure your Windows Firewall. If you are using a personal Firewall software, see the User's Guide for your software or contact the software manufacturer.
- Windows® XP SP2 users:
  - 1 Click the **Start** button, **Control Panel** and then **Windows Firewall**. Make sure that Windows Firewall on the **General** tab is set to On.
  - 2 Click the **Advanced** tab and **Settings...** button.



- 3 Click the **Add** button.
- 4 To add port 54925 for network scanning, enter the information below:
  - 1) In **Description of service**: - Enter any description, for example "Brother Scanner" (without the inverted commas).
  - 2) In **Name or IP address (for example 192.168.0.12) of the computer hosting this service on your network**: - Enter "Localhost" (without the inverted commas).
  - 3) In **External Port Number for this service**: - Enter "54925" (without the inverted commas).

- 4) In **Internal Port number for this service**: - Enter "54925" (without the inverted commas).
- 5) Make sure **UDP** is selected.
- 6) Click **OK**.



- 5 If you still have trouble with your network connection, click the **Add** button.
- 6 To add port 137 for network scanning, enter the information below:
  - 1) In **Description of service**: - Enter any description, for example "Brother Port" (without the inverted commas).
  - 2) In **Name or IP address (for example 192.168.0.12) of the computer hosting this service on your network**: - Enter "Localhost" (without the inverted commas).
  - 3) In **External Port Number for this service**: - Enter "137" (without the inverted commas).
  - 4) In **Internal Port number for this service**: - Enter "137" (without the inverted commas).
  - 5) Make sure **UDP** is selected.
  - 6) Click **OK**.
- 7 Make sure that the new settings are added and are checked, and then click **OK**.



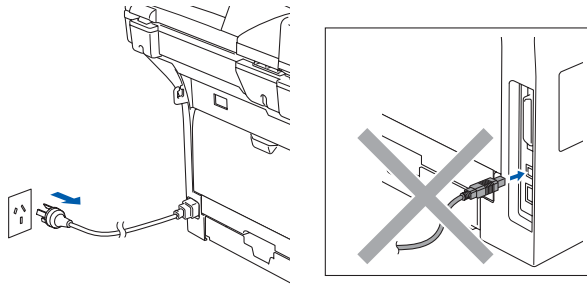
- For network installations, the **Repair MFL-Pro Suite** selection from the main menu is not supported.
- Network Scanning, Network Remote Setup, Network PC-FAX Receiving are not supported in Windows NT® 4.0.
- For configuration of advanced network functions such as LDAP and Scan to FTP, see the Software and Network Users Guides located on the CD-ROM.

## For USB Interface Cable Users

### For Mac OS<sup>®</sup> 9.1 to 9.2

Make sure that you have finished the instructions from Step 1 “Setting Up the machine” on pages 4 - 7.

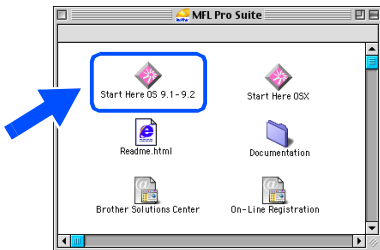
- 1 Switch off the machine and disconnect the machine from the power socket (and from the Macintosh<sup>®</sup>, if you have already connected an interface cable).



- 2 Turn on your Macintosh<sup>®</sup>.
- 3 Insert the supplied CD-ROM for Macintosh<sup>®</sup> into your CD-ROM drive.



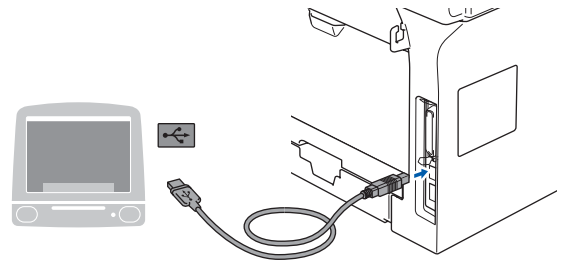
- 4 Double-click the **Start Here OS 9.1-9.2** icon to install the printer and scanner drivers. If the language screen appears, choose your language.



- 5 Click **MFL-Pro Suite** to install.

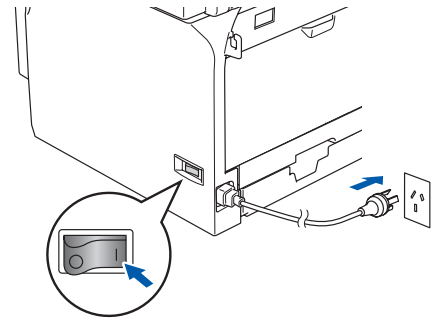


- 6 Follow the on-screen instructions, and restart your Macintosh<sup>®</sup>.
- 7 Connect the USB interface cable to your Macintosh<sup>®</sup>, and then connect it to the machine.



**DO NOT** connect the machine to a USB port on a keyboard or a non-powered USB hub.

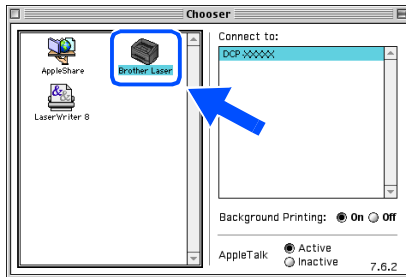
- 8 Plug in the power cord and turn on the machine.




- 9 From the Apple<sup>®</sup> menu, click **Chooser**.



- 10 Click the **Brother Laser** icon. On the right side of the **Chooser**, choose the machine to which you want to print. Close the **Chooser**.




- OK! The MFL-Pro Suite, printer driver and scanner driver have been installed.

 *ControlCenter2 is not supported in Mac OS® 9.1 to 9.2.*

- 11 To install Presto!® PageManager®, click the **Presto! PageManager** icon and follow the on-screen instructions.




 *You can easily scan, share and organize photos and documents using Presto!® PageManager®.*

- OK! Presto!® PageManager® has been installed and the installation is now complete.

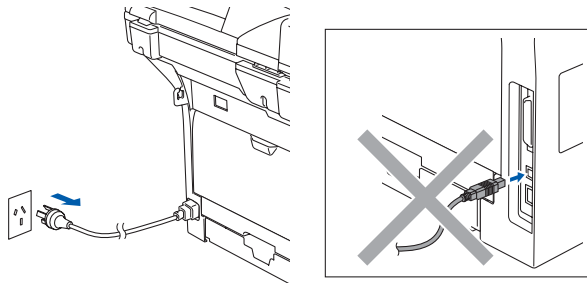
## For USB Interface Cable Users

### For Mac OS® X 10.2.4 or greater

Make sure that you have finished the instructions from Step 1 “Setting Up the machine” on pages 4 - 7.

 For Mac OS® X 10.2.0 to 10.2.3 users, upgrade to Mac OS® X 10.2.4 or greater. (For the latest information for Mac OS® X, visit <http://solutions.brother.com>)

- 1 Switch off the machine and disconnect the machine from the power socket (and from the Macintosh®, if you have already connected an interface cable).



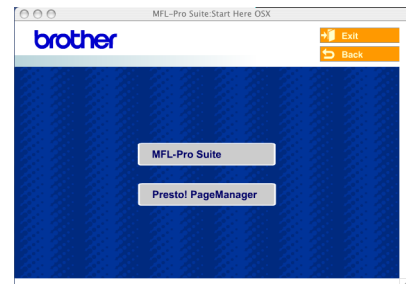
- 2 Turn on your Macintosh®.
- 3 Insert the supplied CD-ROM for Macintosh® into your CD-ROM drive.



- 4 Double-click the **Start Here OSX** icon to install the drivers and MFL-Pro Suite. If the language screen appears, choose your language.




- 5 Click **MFL-Pro Suite** to install.

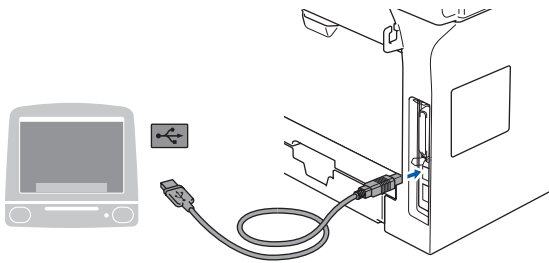


- 6 Follow the on-screen instructions, and restart your Macintosh®.
- 7 After the **DeviceSelector** window appears, connect the USB interface cable to your Macintosh® and then to the machine.



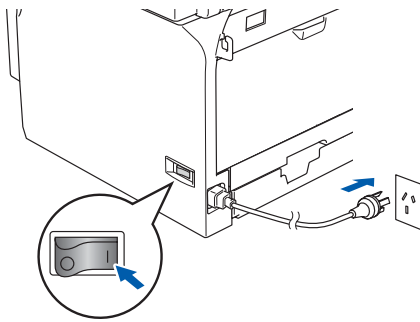
 The **DeviceSelector** window will not appear if you have also connected a USB interface cable to the machine before restarting your Macintosh® or if you are overwriting a previously installed version of the Brother software. If you encounter this problem continue with the installation but skip step 9. You should choose your Brother machine from the Model pull-down list in the main screen of ControlCenter2. (For details, see the Software User's Guide on the CD-ROM).





**DO NOT connect the machine to a USB port on a keyboard or a non-powered USB hub.**

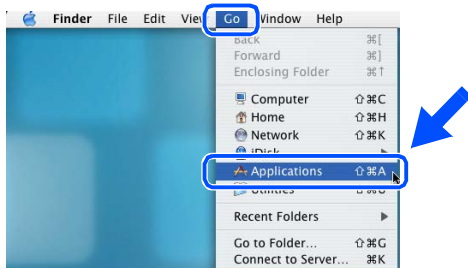
**8** Plug in the power cord and turn on the machine.



**9** Choose **USB** and then click **OK**.



**10** Click **Go**, then choose **Application**.



**11** Double-Click the **Utilities** folder.

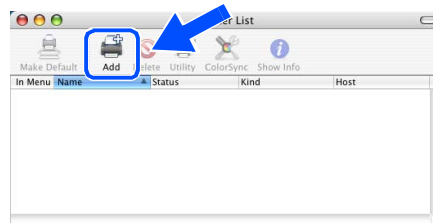


**12** Double-Click the **Print Setup Utility** icon.



*For Mac OS® 10.2.x users, double-click the **Print Center** icon.*

**13** Click **Add**.



*For Mac OS® X 10.2.4 to 10.3.x users → Go to **14***

*For Mac OS® X 10.4 users → Go to **15***

Continued...

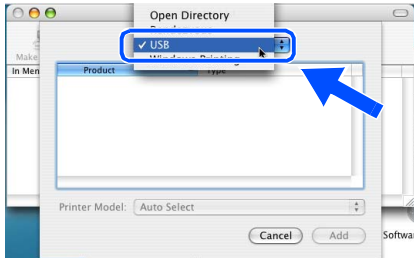
# Step 2

# Installing the Drivers & Software



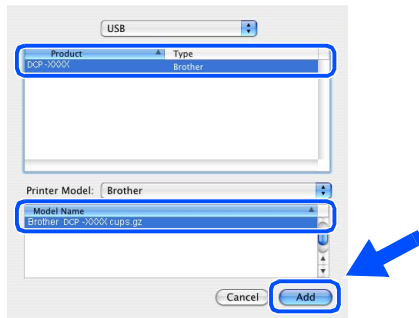
## For USB Interface Cable Users

- 14 Choose **USB**.

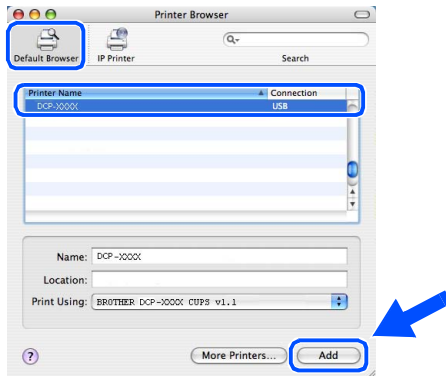


- 15 Choose your model name, and then click **Add**.

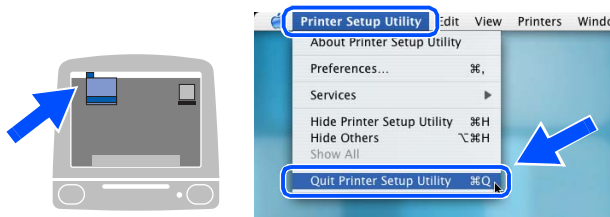
**For Mac OS® X 10.2.4 to 10.3 users:**



**For Mac OS® X 10.4 or greater users:**

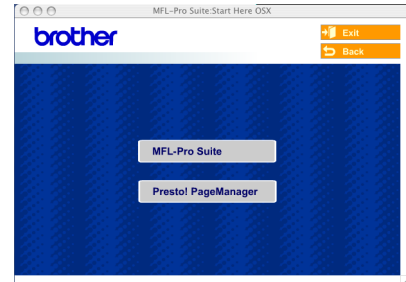



- 16 Click **Printer Setup Utility**, then choose **Quit Printer Setup Utility**.



- OK!** The MFL-Pro Suite, printer driver, scanner driver and Brother ControlCenter2 have been installed.

- 17 To install Presto!® PageManager®, click the **Presto! PageManager** icon and follow the on-screen instructions.



 When Presto!® PageManager® is installed OCR capability is added to the Brother ControlCenter2. You can easily scan, share, and organize photos and documents using Presto!® PageManager®.

- OK!** Presto!® PageManager® has been installed and the installation is now complete.

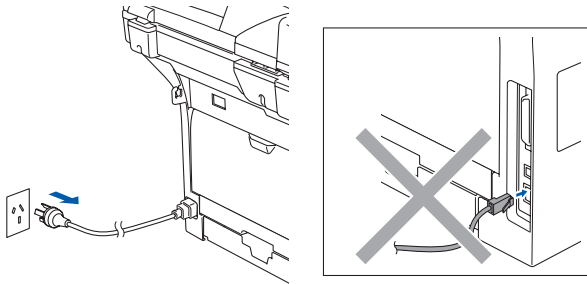
 **For Network Interface Cable Users (DCP-8065DN only)**

Setting Up  
the machine

**For Mac OS® 9.1 to 9.2**

**Make sure that you have finished the instructions from Step 1 “Setting Up the machine” on pages 4 - 7.**

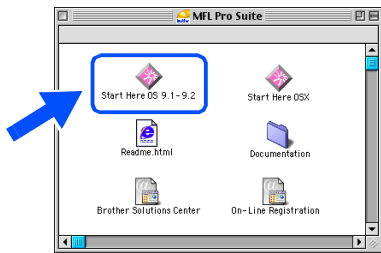
- 1 Switch off the machine and disconnect the machine from the power socket (and from the Macintosh®, if you have already connected an interface cable).



- 2 Turn on your Macintosh®.
- 3 Insert the supplied CD-ROM for Macintosh® into your CD-ROM drive.



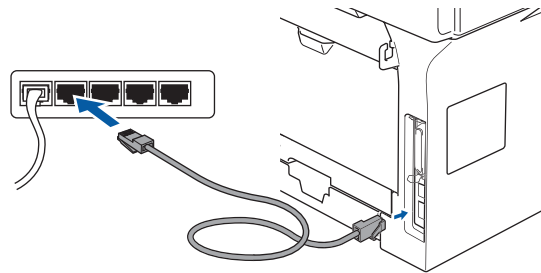
- 4 Double-click the **Start Here OS 9.1-9.2** icon to install the printer driver. If the language screen appears, choose your language.



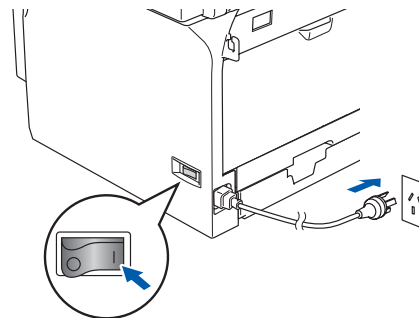
- 5 Click **MFL-Pro Suite** to install.



- 6 Follow the on-screen instructions, and restart your Macintosh®.
- 7 Connect the network interface cable to the machine, and then connect it to a free port on your hub.



- 8 Plug in the power cord and turn on the machine.



- 9 From the Apple® menu, click **Chooser**.

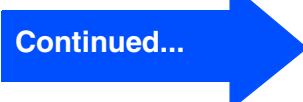


Installing the Drivers & Software

Macintosh®  
USB

Macintosh®  
Network

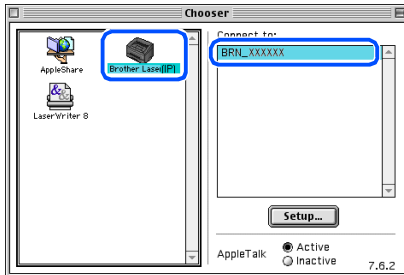
Network  
Administrators

**Continued...** 



## For Network Interface Cable Users (DCP-8065DN only)

- 10 Click the **Brother Laser (IP)** icon, and then choose **BRN\_XXXXXX**.  
Close the **Chooser**.



*XXXXXX are the last six digits of the Ethernet address.*



**The MFL-Pro Suite and printer driver have been installed.**



*ControlCenter2 and Network Scanning are not supported in Mac OS® 9.1 to 9.2.*

- 11 To install Presto!® PageManager®, click the **Presto! PageManager** icon and follow the on-screen instructions.



*You can easily scan, share and organize photos and documents using Presto!® PageManager®.*



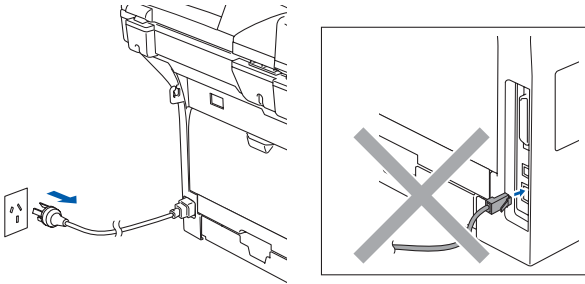
**Presto!® PageManager® has been installed and the installation is now complete.**

## For Network Interface Cable Users (DCP-8065DN only)

### For Mac OS® X 10.2.4 or greater

Make sure that you have finished the instructions from Step 1 “Setting Up the machine” on pages 4 - 7.

- 1 Switch off the machine and disconnect the machine from the power socket and from the Macintosh®.



- 2 Turn on your Macintosh®.

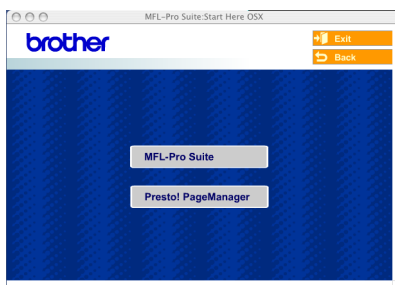
- 3 Insert the supplied CD-ROM for Macintosh® into your CD-ROM drive.



- 4 Double-click the **Start Here OSX** icon to install the printer and scanner drivers. If the language screen appears, choose your language.



- 5 Click **MFL-Pro Suite** to install.

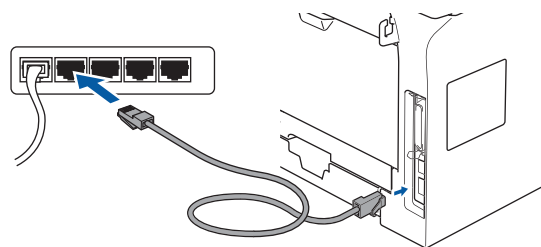


- 6 Follow the on-screen instructions, and restart your Macintosh®.

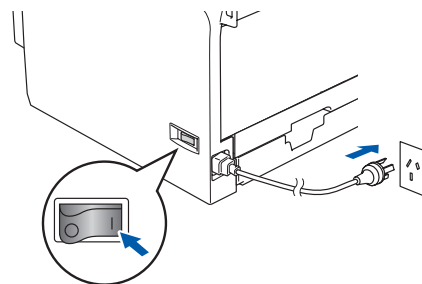
- 7 After the **DeviceSelector** window appears, connect the network interface cable to the machine, and then connect it to a free port on your hub.



*The **DeviceSelector** window will not appear if you have also connected a USB interface cable to the machine before restarting your Macintosh® or if you are overwriting a previously installed version of the Brother software. If you encounter this problem continue with the installation skipping steps 9 to 11. You should then select your Brother machine from the Model pull-down list in the main screen of ControlCenter2. (For details, see the software User's Guide on the CD-ROM.)*



- 8 Plug in the power cord and turn on the machine.



Continued...

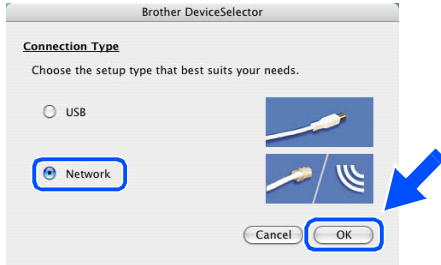
# Step 2

# Installing the Drivers & Software

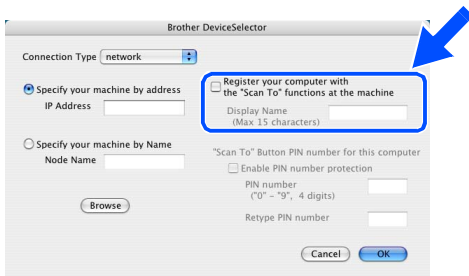


## For Network Interface Cable Users (DCP-8065DN only)

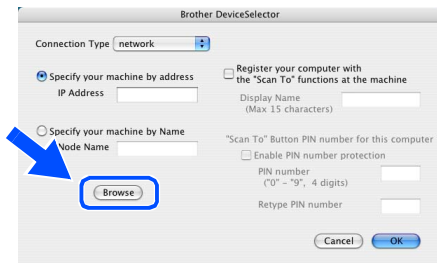
- 9 Choose **Network** and then click **OK**.



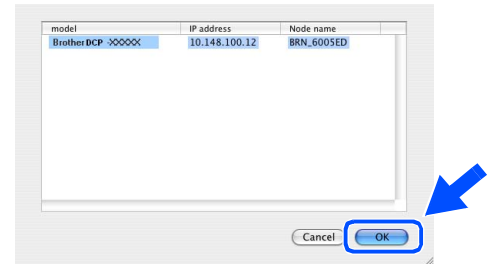
- 10 If you want to use the **Scan** key on the machine, you must check **Register your computer with the "Scan To" functions at the machine** box and enter a name you want to use for your Macintosh® in **Display Name**. The name you enter will appear on the machine's LCD when you press the **Scan** key and choose a scan option. You can enter any name up to 15 characters long.  
(For more information on network scanning, see Chapter 10 of the Software User's Guide on the CD-ROM.)



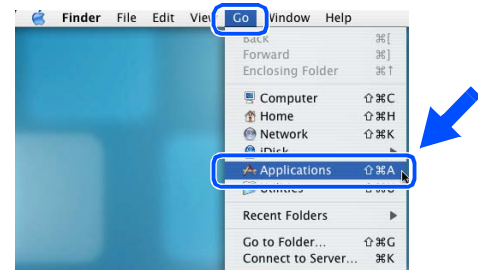
- 11 Click **Browse**.



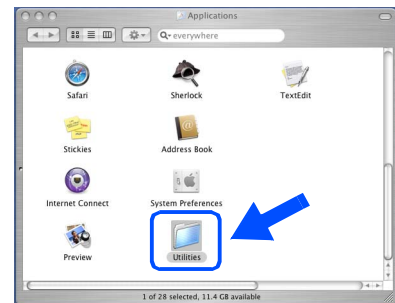
- 12 Choose your model name, and then click **OK**. Click **OK** again to close the **DeviceSelector**.



- 13 Click **Go**, then choose **Applications**.




- 14 Double-click the **Utilities** folder.

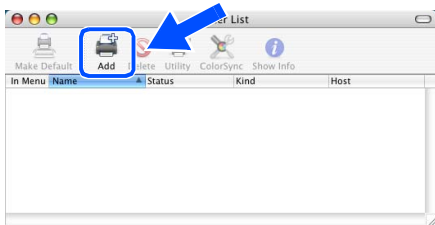


- 15 Double-click the **Print Setup Utility** icon.



 For Mac OS® 10.2.x users, double-click the **Print Center** icon.

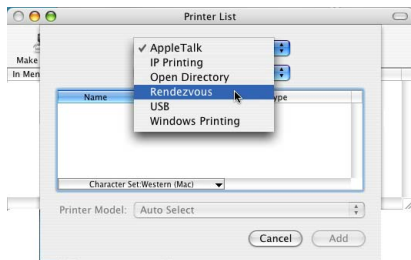
16 Click **Add**.



For Mac OS® X 10.2.4 to 10.3.x users  
→ Go to 17

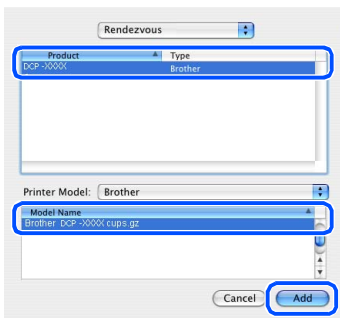
For Mac OS® X 10.4 users → Go to 18

17 Make the selection shown below.

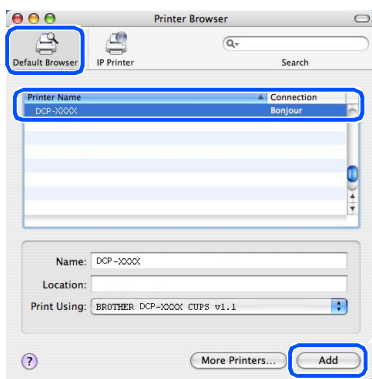


18 Choose your model name, and then click **Add**.

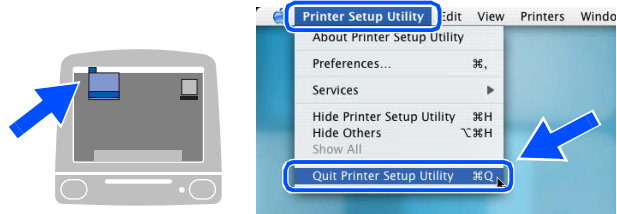
For Mac OS® X 10.2.4 to 10.3 users:



For Mac OS® X 10.4 or greater users:



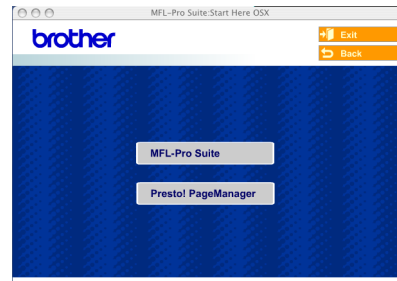
19 Click **Printer Setup Utility**, then choose **Quit Printer Setup Utility**.



OK! The MFL-Pro Suite, printer driver, scanner driver and ControlCenter2 have been installed.

For configuration of advanced network functions such as LDAP and Scan to FTP, see the Network User's Guide located on the CD-ROM.

20 To install Presto!® PageManager®, click the **Presto! PageManager** icon and follow the on-screen instructions.



When Presto!® PageManager® is installed OCR capability is added to the Brother ControlCenter2. You can also easily scan, share, and organize photos and documents using Presto!® PageManager®.

OK! Presto!® PageManager® has been installed and the installation is now complete.

## BRAdmin Professional configuration utility (For Windows<sup>®</sup> users)

The BRAdmin Professional utility for Windows<sup>®</sup> is designed to manage your Brother network connected devices such as network-ready Multifunction devices and or network-ready printers in a Local Area Network (LAN) environment.

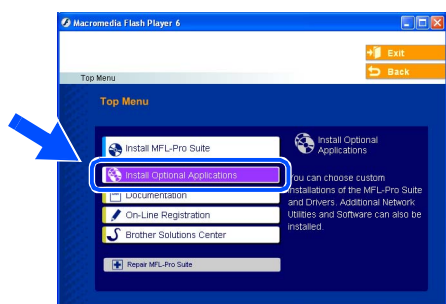
For more information on BRAdmin Professional and BRAdmin Light, go to <http://solutions.brother.com>

### Installing the BRAdmin Professional configuration utility

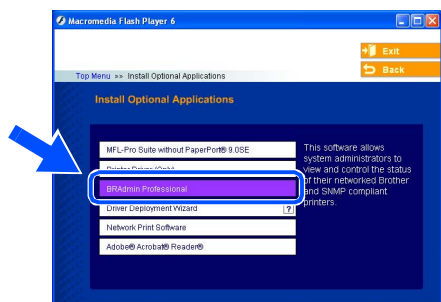
- 1 Put the supplied CD-ROM into your CD-ROM drive.  
The opening screen will appear automatically.  
Follow the on-screen instructions.



- 2 Click the **Install Optional Applications** icon on the main menu screen.



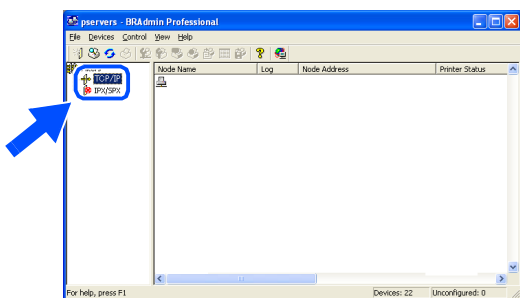
- 3 Click **BRAdmin Professional** and follow the on-screen instructions.



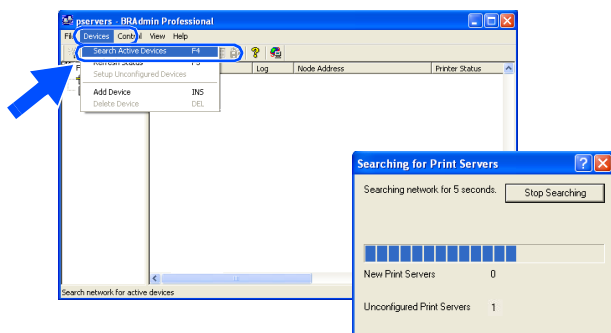


# Setting your IP Address, Subnet Mask and Gateway using BRAdmin Professional

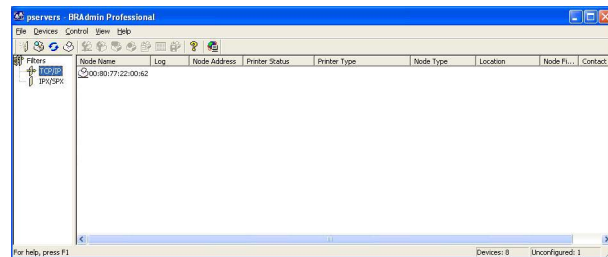
- 1 Start BRAdmin Professional, and select **TCP/IP**.




- 2 Click **Devices**, then choose **Search Active Devices**. BRAdmin will search for new devices automatically.

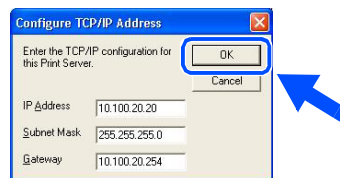


- 3 Double-click the new device.




 The default password for the print server is 'access'. You can use BRAdmin Professional or a web browser to change this password.

- 4 Enter the **IP Address, Subnet Mask and Gateway**, and then click the **OK** button.



- 5 The address information will be saved to the machine.

 For more information on network administration, please see the Network User's Guide in the programs menu or go to <http://solutions.brother.com>

Setting Up  
the machine

Windows®  
USB

Windows®  
Parallel

Windows  
NT® 4.0  
Parallel

Windows®  
Network

Macintosh®  
USB

Macintosh®  
Network

Network  
Administrators

# BRAdmin Light configuration utility (For Mac OS® X users)

The Brother BRAdmin Light software is a Java™ application that is designed for the Apple Mac OS® X environment. It supports some of the features of the Windows BRAdmin Professional software. For example, using the BRAdmin Light software, you can change some network settings on Brother's network ready printers and multifunction devices.

The BRAdmin Light software will be installed automatically when you install the MFL-Pro Suite. Please refer to Installing the driver and software in this Quick Setup Guide if you have not yet installed the MFL-Pro Suite.

For more information on BRAdmin Light, visit us at <http://solutions.brother.com>.

## Setting your IP address, Subnet Mask and Gateway using BRAdmin Light

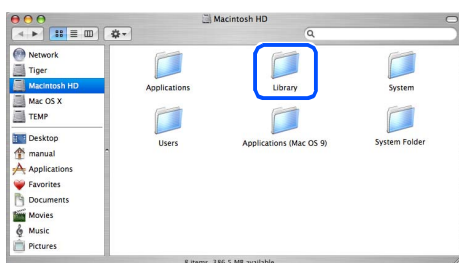


- If you have a DHCP/BOOTP/RARP server in your network, you don't have to do the following operation. The print server will automatically obtain its own IP address. Make sure that version 1.4.1\_07 or later of Java™ client software is installed on your computer.
- The default password for the print server is 'access'. You can use BRAdmin Light to change this password.

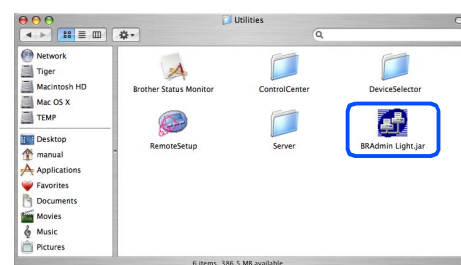
- 1 Double-click the **Macintosh HD** icon on your desktop.



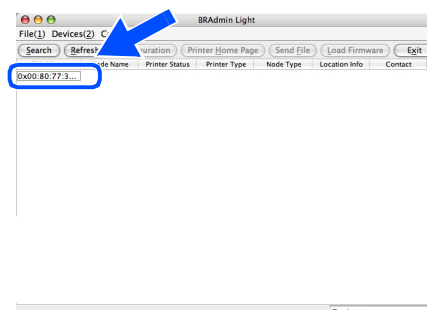
- 2 Choose **Library, Printers, Brother** and then **Utilities**.



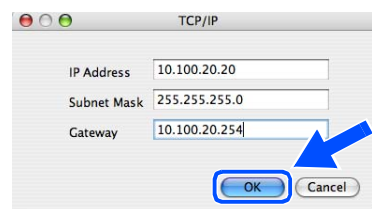
- 3 Double-click the **BRAdmin Light.jar** file. Run the BRAdmin Light software. BRAdmin Light searches new devices automatically.



- 4 Double-click the new device.



- 5 Enter the **IP Address, Subnet Mask** and **Gateway**, and then click **OK**.

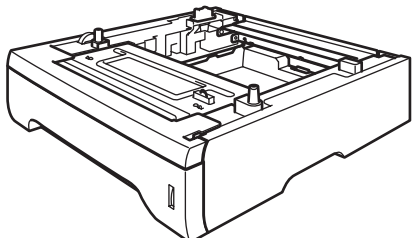
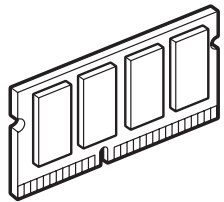


- 6 The address information will be saved to the printer.

# Options and Consumables

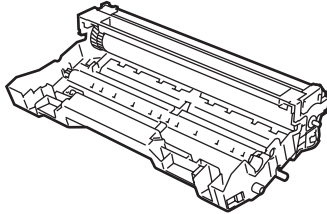
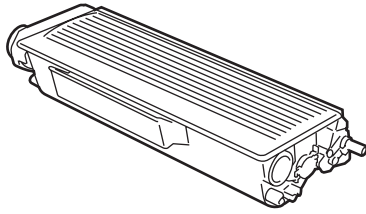
## Options

The machine has the following optional accessories. You can expand the capabilities of the machine by adding these items.

Lower Tray Unit	Memory
<b>LT-5300</b>	
 <p>Second lower paper tray unit expands total input capacity up to 500 sheets.</p>	 <p>You can expand the memory by installing a (144-pin DIMM) memory module. For more details, see "Memory Board" in Chapter B of the User's Guide.</p>

## Replacement Consumables

When the time comes to replace consumables, an error message will be indicated on the LCD. For more information about the consumables for your machine, visit <http://solutions.brother.com> or contact your local Brother re-seller.

Drum Unit	Toner Cartridge
<b>DR-3115</b>	<b>TN-3145 / TN-3185</b>
	

Setting Up  
the machine

Windows®  
USB

Windows®  
Parallel

Windows  
NT® 4.0  
Parallel

Windows®  
Network

Macintosh®  
USB

Macintosh®  
Network

Network  
Administrators

## Trademarks

The Brother logo is a registered trademark of Brother Industries, Ltd.

Brother is a registered trademark of Brother Industries, Ltd.

Multi-Function Link is a registered trademark of Brother International Corporation.

© 2006 Brother Industries, Ltd. All rights reserved.

Windows, Microsoft and Windows NT are registered trademarks of Microsoft in the U.S. and other countries.

Macintosh is a registered trademark of Apple Computer, Inc.

Postscript and Postscript Level 3 are registered trademarks or trademarks of Adobe Systems Incorporated.

PaperPort is a registered trademark of ScanSoft, Inc.

Presto! PageManager is a registered trademark of NewSoft Technology Corporation.

Each company whose software title is mentioned in this manual has a Software License Agreement specific to its proprietary programs.

**All other brand and product names mentioned in this manual are registered trademarks of their respective companies.**

## Compilation and Publication

Under the supervision of Brother Industries Ltd., this manual has been compiled and published, covering the latest product descriptions and specifications.

The contents of this manual and the specifications of this product are subject to change without notice.

Brother reserves the right to make changes without notice in the specifications and materials contained herein and shall not be responsible for any damages (including consequential) caused by reliance on the materials presented, including but not limited to typographical and other errors relating to the publication.

This product is designed for use in a Professional Environment.

©2006 Brother Industries, Ltd. ©1998-2006 TROY Group, Inc.

©1983-2006 PACIFIC SOFTWARES INC.

This product includes the "KASAGO TCP/IP" software developed by Elmic Systems, Inc. ALL RIGHTS RESERVED.

**brother**®