



**English / Italiano**  
**USER'S GUIDE**  
www.P-touch.com  
LN6645001  
Printed in China

**INTRODUCTION**

With your PT-1000, you can create labels for any application. Select from the many frames, character sizes and styles to design beautiful custom labels. In addition, the variety of tape cartridges available allows you to print labels with different widths and exciting colours. Read this manual carefully before starting and keep the manual in a handy place for future reference.

**Declaration of Conformity**  
We, BROTHER INDUSTRIES, LTD.  
1-1-1, Kawagishi, Mizuho-ku, Nagoya 467-8562, Japan  
declare that the Labelling System PT-1000 conforms with the following normative documents:  
EMC: EN 55022: 1998 Class B  
EN 55024: 1998  
and follows the provisions of the Electromagnetic Compatibility Directive 89/336/EEC (as amended by 91/263/EEC and 92/31/EEC). The optional AC adapter also conforms with EN 60950 and follows the provisions of the Low Voltage Directive 73/23/EEC.  
Issued by: BROTHER INDUSTRIES, LTD.  
P & H company  
Development DIV.

**GENERAL PRECAUTIONS**

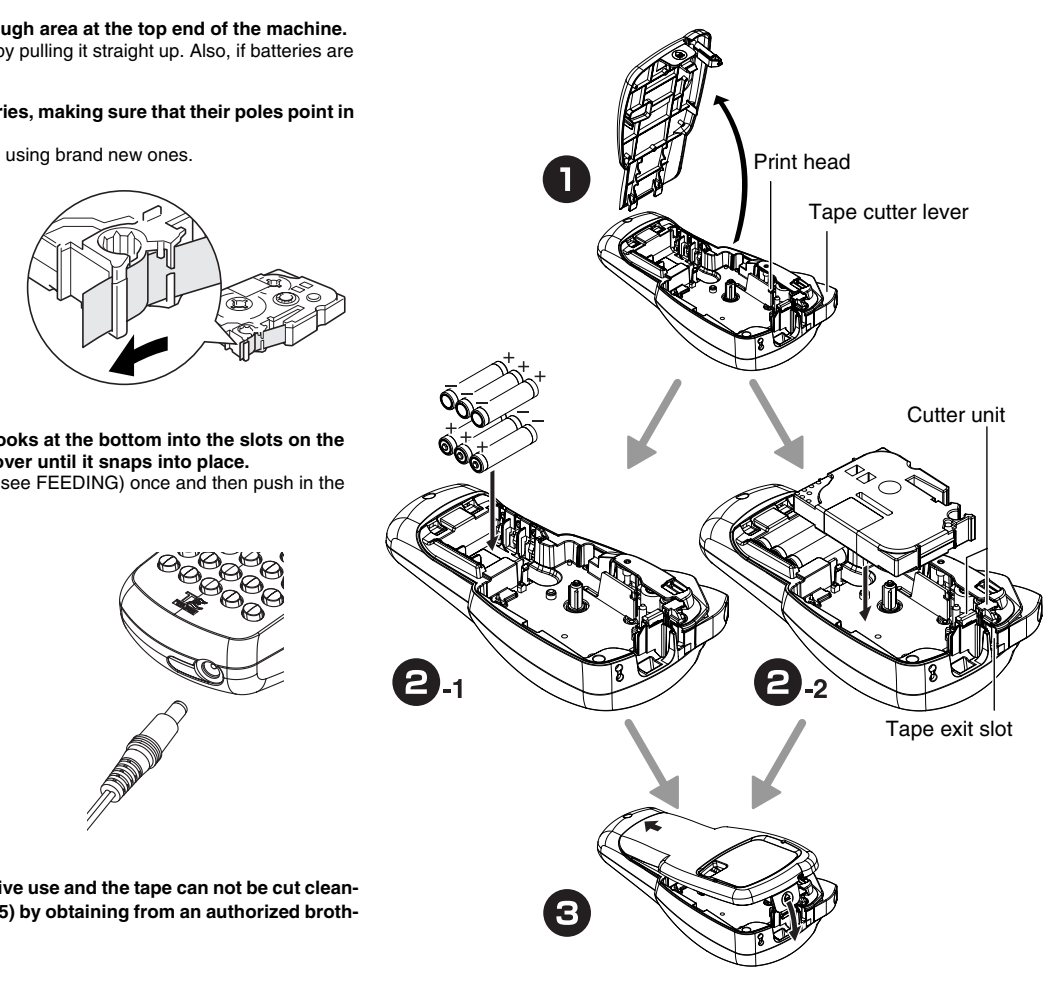
- Use only Brother TZ tapes with this machine. Do not use tapes that do not have the mark.
- Do not pull on the tape being fed from the P-touch, otherwise the tape cassette may be damaged.
- Do not attempt to cut the tape while printing or feeding since this will damage the tape.
- Do not clean the machine with alcohol or other organic solvents. Only use a soft, dry cloth.
- Remove the batteries and disconnect the AC adapter if you do not intend to use the machine for an extended period of time.  
**Note:** If power is disconnected for more than three minutes, all text shown in the display and any text files stored in the memory will be lost. Language and unit settings will also be cleared.
- Do not put any foreign objects into or heavy objects on the machine.
- Do not expose the machine to extremely high temperatures or high humidity. Never leave it on the dashboard or in the back of your car.
- Avoid using the machine in extremely dusty places. Keep it out of both direct sunlight and rain.
- Do not leave any rubber or vinyl on the machine for an extended period of time, otherwise the machine may be stained.
- Do not touch the print head mechanism. If the head is touched, clean it immediately with a soft wipe (e.g. a cotton swab) to avoid permanent damage.
- To avoid injuries, do not touch the cutter's edge.
- Use only the AC adapter designed exclusively for this machine. Use of any other adapter may void the warranty.
- Please contact your Brother dealer for details.

**SPECIFICATIONS**

Dimensions:	108 mm (W) x 196 mm (D) x 55 mm (H)
Weight:	335 g (without batteries and tape cassette)
Power supply:	Six AAA size alkaline batteries (LR03) or optional AC adapter (model G/G1)
Tape cassette:	Brother TZ tape 6 mm / 9 mm / 12 mm (width)
Cutter unit:	TC-5 (replacement)

**POWER SUPPLY & TAPE CASSETTES**

- Remove the back cover by pressing in the rough area at the top end of the machine. If a tape cassette is already installed, remove it by pulling it straight up. Also, if batteries are already installed, remove them.
- Insert six new AAA-size (LR03) alkaline batteries, making sure that their poles point in the correct directions. Always replace all six batteries at the same time using brand new ones.
- Insert a tape cassette, making sure that it snaps into place.
  - Make sure that the end of the tape feeds under the tape guides.
  - Be sure to remove the paper tab when installing a new tape cassette.
  - If the ink ribbon is loose, use your finger to wind the toothed wheel in the direction of the arrow on the cassette.
  - Use only Brother TZ tapes with this machine.



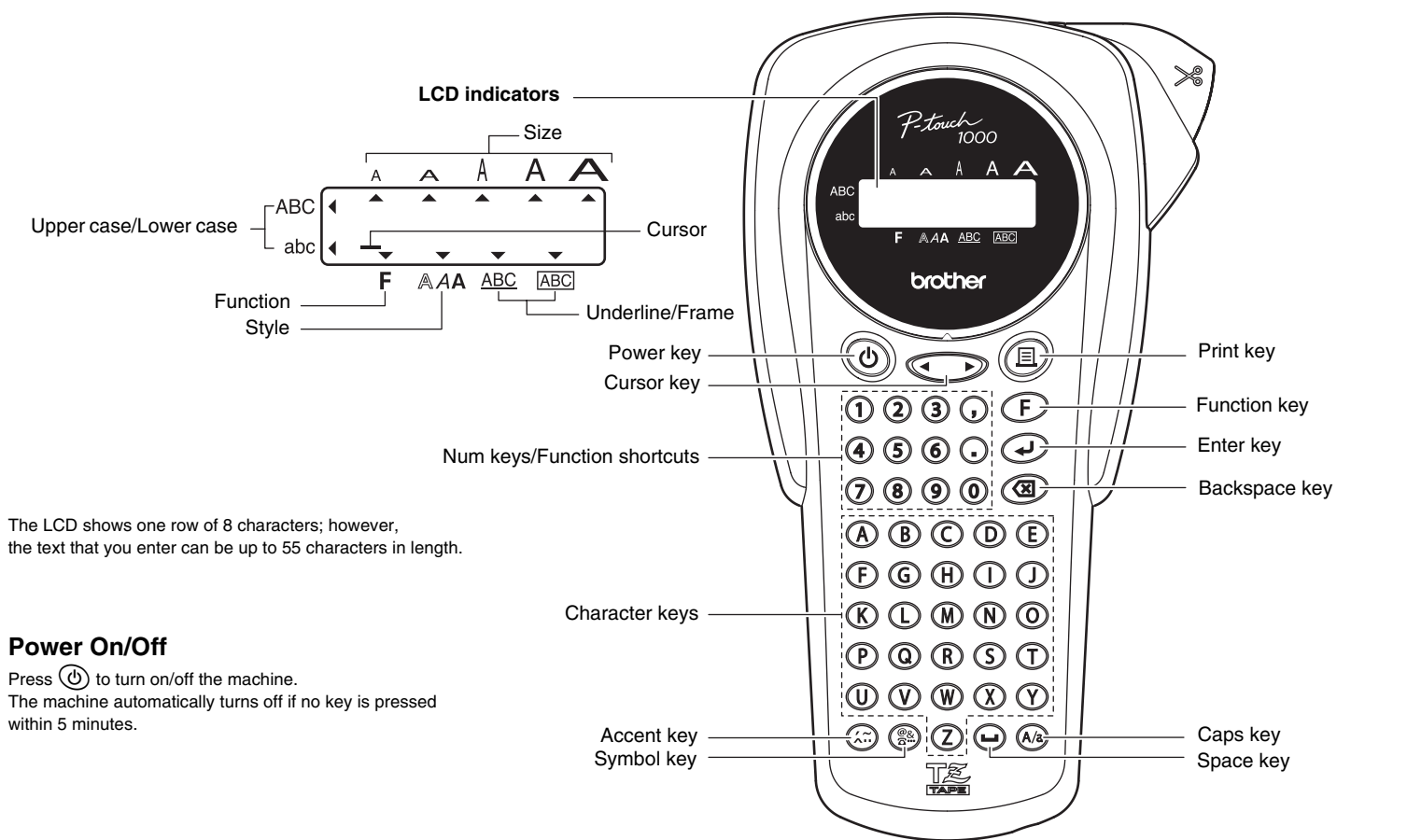
**Optional AC adapter (model G/G1)**

- Insert the plug on the adapter cord into the adapter jack on the bottom end of the machine.
- Insert the plug into the nearest standard electrical outlet.

**Cutter unit (replacement)**

If the cutter blade becomes blunt after repetitive use and the tape can not be cut cleanly, replace with new cutter unit (stock no. TC-5) by obtaining from an authorized brother dealer.

**KEYBOARD & LCD**



The LCD shows one row of 8 characters; however, the text that you enter can be up to 55 characters in length.

**Power On/Off**

Press to turn on/off the machine. The machine automatically turns off if no key is pressed within 5 minutes.

**GETTING STARTED**

- Start your machine**  
Supply power by using six AAA batteries or the optional AC adapter, and then press .
- Set the language (English/French/German)**  
1. ENG ? →  
Choose a language with and press .  
ENGLISH | FRANÇAIS | DEUTSCH  
Check the display and press . (To cancel, press .)
- Set the unit (mm/inch)**  
1. mm ? →  
Choose a unit with and press .

**NOTE:**  
• You can also display the languages and units by pressing the corresponding Num keys (1-3).  
• To cancel operations, press .  
• To delete entries backward, press .  
• To initialize the settings, turn off the machine and then while holding down and , press to turn the machine back on. Finally, release and .

**MAKING TEXT**

**Switching UPPER CASE/LOWER CASE**

Upper case: ABC abc → ABC \_  
Lower case: ABC abc → ,abc \_

**Making TWO LINE TEXT**

Move the cursor to where the second line starts and press .

**NOTE:** Use either 9 mm or 12 mm wide tape for two line texts.

**Entering SYMBOLS**

Group	Symbols	Group	Symbols
A	? ! " ' ; : _ -	F	→ ← ↑ ↓ ↻ ↺
B	\ / & % ^ ~ ` ` ` `	G	* \$ £ € ¢ ₣ ¢ ij
C	@ # \$ % ^ & * ~	H	# 0 β μ Δ δ ∂ ∫
D	+ - × ÷ ± × ÷	I	☎ ★
E	( ) [ ] < >		

**NOTE:**  
• You can also display the symbols by pressing / .  
• To go to the next group, press .  
• To skip to a different group, press the corresponding character key of the group.  
• You can also scroll the symbols in each group by pressing the corresponding character key of the group repeatedly.

**Entering ACCENTED CHARACTERS**

Letter	Accented characters	Letter	Accented characters
A	À Á Â Ã Ä Å Æ	a	à á â ã ä å æ
C	Č Ć Ç	c	č ć ç
D	Đ Đ	d	đ đ
E	É Ê Ë Ì Í Î Ï	e	é ê ë ì í î ï
I	Ĭ Ĵ Ķ Ĺ	i	ĭ ĵ ķ ĺ
L	Ł Ł	l	ł ł
N	Ń Ń	n	ń ń
O	Ó Ô Õ Ö Ø	o	ó ô õ ö ø
R	Ŕ Ŗ	r	ŗ ŗ
S	Ś Š	s	ś š
T	Ŧ ŧ	t	ŧ ŧ
U	Ú Û Ü	u	ú û ü
Y	Ÿ	y	ÿ
Z	Ž	z	ž

**NOTE:**  
• You can also display the characters by pressing / .  
• To go to the next letter group, press .  
• To skip to a different letter group, press the corresponding character key.  
• You can also scroll the characters in each letter group by pressing the corresponding character key repeatedly.

**DESIGNING LABELS**

**Setting FONT (F+1)**

**Setting SIZE (F+2)**

**Setting STYLE (F+3)**

**Setting UNDERLINE/FRAME (F+4)**

**Setting LABEL LENGTH (AUTO/40 - 300mm) (F+7)**

**Using AUTO FORMAT (F+8)**

**Setting TAB (F+5)**

**Setting TAB LENGTH (0 - 100mm) (F+6)**

**PRINTING**

**TEXT PREVIEW (F+@)**

**FEEDING (TAPE FEED) (F+@)**

**PRINTING**

**TAPE MARGIN (F+@)**

**FULL/HALF/NARROW**

**CHAIN**

**Print Option/REPEAT PRINTING (F+@)**

**Print Option/NUMBERING (F+@)**

**MEMORY (F+@)**

**MEMORY (F+@)**

**FUNCTION SHORTCUTS (F+...)**

Key	LCD message	Function	Key	LCD message	Function
1	FONT	Character font	0	A/F	Auto Format
2	SIZE	Character size	0	MEMORY	Memory
3	STYLE	Print style	0	CLEAR	Clear text + style
4	UNDL/FRM	Underline/Frame	0	MARGIN	Tape margin
5	TAB	Tab setting	0	PRINT OP	Repeat/Numbering
6	TAB LEN	Tab length	0	PREVIEW	Text preview
7	LENGTH	Label length	0	FEED	Tape feed

**ERROR MESSAGE LIST**

ERROR	Solution
BATTERY	An error occurred.
BATTERY	The batteries are weak.
BATTERY	The batteries are empty.
FULL	The maximum number of characters (55 characters) have already been entered or the memory is full.
LONG TXT	The text length exceeds the selected label length.

**TROUBLESHOOTING**

Problem	Solution
The display stays blank after you have turned on the machine.	• Check that the batteries are correctly inserted. • If the batteries are weak, replace them. • Check that the adapter is correctly connected.
The machine does not print, or the printed characters are blurred.	• Check that the tape cassette has been inserted correctly. • If the tape cassette is empty, replace it. • Check that the character size is appropriate for the width of the tape that is used.
The printed characters are not formed properly.	• If the batteries are weak, replace them.
Striped tape appears.	• The tape cassette is empty. Replace it. • The batteries may be weak. Replace them.
The memory has cleared on its own.	• There may be some dust on the print head. • Remove the tape cassette and use a dry cotton swab to gently wipe the print head with an up-and-down motion. • The print head can be cleaned more easily if the optional print head cleaning cassette (TZ-CL3) is used.
A blank horizontal line appears through the printed label.	• Turn off the machine, and then while holding down  and , press  to turn the machine back on. Finally, release  and .
The machine has "locked up" (i.e., nothing happens when a key is pressed, even though the machine is on).	• Note: The text and formats in the display and all text files stored in the memory are erased. Also, the language and unit settings will be cleared.