

**NC-7100w Wireless Print Server for 802.11b and 802.11g**  
**Quick Setup Guide**

**NC-7100w Wireless Print Server für 802.11b und 802.11g**  
**Installationsanleitung**

**Serveur d'impression sans fil NC-7100w (802.11b et 802.11g)**  
**Guide d'installation rapide**

**NC-7100w Draadloze afdrukserver voor 802.11b en 802.11g**  
**Installatiehandleiding**

**Server di stampa senza fili NC-7100w per 802.11b e 802.11g**  
**Guida di installazione rapida**

**Servidor de impresión inalámbrico NC-7100w para 802.11b y 802.11g**  
**Guía de configuración rápida**

**NC-7100w trådløs utskriftsserver for 802.11b og 802.11g**  
**Hurtigoppsettguiden**

**NC-7100w Trådlös skrivarserver för 802.11b och 802.11g**  
**Snabbguide**

**NC-7100w Trådløst printernetkort til 802.11b og 802.11g**  
**Hurtig installationsanvisning**

**Servidor de impressão sem fios NC-7100w para 802.11b e 802.11g**  
**Guia de configuração rápida**

## English

This product is approved for use in the country of purchase only. Do not use this product outside the country of purchase as it may violate the wireless telecommunication regulations of that country.

Please read this Quick Setup Guide before you install NC-7100w and use the printer on the wireless network. For more details about how to optimize the wireless print server, please refer to the NC-7100w Network User's Guide on the CD-ROM we have supplied with NC-7100w. Keep this Quick Setup Guide and supplied CD-ROM in a convenient place for quick and easy reference at all times.

(For Canada)

The installer of this radio equipment must ensure that the antenna is located or pointed such that it does not emit RF field in excess of Health Canada limits for the general population; consult Safety Code 6, obtainable from Health Canada's website [www.hc-sc.gc.ca/rpb](http://www.hc-sc.gc.ca/rpb). This equipment is used only for Laser Printer. There are more than 20 cm distance from human body to the equipment and thus it meets RF Exposure requirement.

## Deutsch

Dieses Produkt ist nur zum Gebrauch in dem Land zugelassen, in dem es gekauft wurde. Benutzen Sie dieses Produkt daher nur im Kaufland, da es in anderen Ländern möglicherweise gegen die dortigen Telekommunikationsbestimmungen verstößt.

Bevor Sie mit dem Installieren und dem Gebrauch des NC-7100w im drahtlosen Netzwerk beginnen, lesen Sie sich bitte sorgfältig die Installationsanleitung durch.

Nähere Informationen zur Optimierung des Wireless PrintServers finden Sie im NC-7100w Netzwerkhandbuch auf CD-ROM, die mit Ihrem Wireless PrintServer NC-7100w mitgeliefert wurde.

Bewahren Sie diese Installationsanleitung und die beiliegende CD-ROM stets gut zugänglich auf.

## Français

Ce produit est approuvé uniquement dans le pays d'achat. Ne l'utilisez pas dans d'autres pays car il pourrait enfreindre les réglementations relatives aux télécommunications sans fil de ces pays.

Veuillez lire ce Guide d'installation rapide avant d'installer le NC-7100w et d'utiliser l'imprimante sur le réseau sans fil. Pour savoir comment optimiser le serveur d'impression sans fil, consultez le Guide de l'utilisateur en réseau du NC-7100w qui figure sur le CD-ROM fourni avec le NC-7100w.

Veuillez conserver ce Guide d'installation rapide et le CD-ROM fourni à portée de main afin de pouvoir les consulter facilement en cas de besoin.

(pour le Canada)

L'installateur de cet équipement radio doit s'assurer que l'antenne est située ou orientée de telle sorte qu'elle n'émet pas de champ RF dépassant les limites imposées par Santé Canada pour la population générale ; consultez le Code de sécurité 6, disponible sur le site Web de Santé Canada [www.hc-sc.gc.ca/rpb](http://www.hc-sc.gc.ca/rpb). Cet équipement est uniquement utilisé pour les imprimantes laser. Le corps humain est séparé de l'équipement par une distance de plus de 20 cm, ce qui répond aux exigences d'exposition aux champs RF.

## Nederlands

Dit product is goedgekeurd voor gebruik in alleen het land waar het gekocht is. Gebruik dit product alleen in het land van aankoop; bij gebruik in een ander land kunnen de voorschriften voor draadloze telecommunicatie overtreden worden.

Lees deze installatiehandleiding voordat u de NC-7100w installeert en de printer op het draadloze netwerk gebruikt. Meer informatie over het optimaal instellen van de draadloze afdrukservers vindt u in de netwerkgebruikershandleiding van de NC-7100w. Deze handleiding vindt u op de cd-rom die met de NC-7100w geleverd werd.

Bewaar deze installatiehandleiding en de meegeleverde cd-rom op een veilige plaats, zodat u ze wanneer nodig snel even kunt raadplegen.

## Italiano

L'utilizzo di questo prodotto è approvato solo nel paese di acquisto. Non utilizzare questo prodotto al di fuori del paese di acquisto poiché potrebbe violare le norme relative alle telecomunicazioni senza fili di tale paese.

Leggere questa Guida di installazione rapida prima di installare l'NC-7100w e utilizzare la stampante nella rete senza fili. Per ulteriori dettagli sull'ottimizzazione del server di stampa senza fili, fare riferimento alla Guida dell'utente abilitato alla connessione di rete dell'NC-7100w disponibile sul CD-ROM fornito con il prodotto.

Conservare questa Guida di installazione rapida e il CD-ROM in un luogo pratico per poterlo consultare in qualsiasi momento.

## Español

Este producto sólo está aprobado para su uso en el país donde se ha realizado la compra. No utilice este producto fuera del país donde se ha realizado la compra, ya que puede infringir la normativa para las comunicaciones inalámbricas de ese país.

Lea esta Guía de configuración rápida antes de instalar el servidor de impresión inalámbrico NC-7100w y utilizar la impresora en una red inalámbrica.

Para obtener más detalles sobre el modo de optimizar el servidor de impresión inalámbrico, consulte el Manual de usuario de red en el CD-ROM suministrado con el servidor de impresión inalámbrico NC-7100w.

Guarde esta Guía de configuración rápida y el CD-ROM que se suministra en un lugar conveniente para realizar consultas rápidas y sencillas en cualquier momento.

## Norsk

Dette produktet er kun godkjent for bruk i landet der det er kjøpt. Produktet må ikke brukes utenfor landet der det ble kjøpt, da dette kan være i strid med regelverk for trådløs kommunikasjon i andre land.

Les denne hurtigoppsettguiden før du installerer NC-7100w og bruker skriveren på det trådløse nettverket.

Hvis du vil ha mer informasjon om hvordan du optimaliserer den trådløse utskriftserveren, kan du se nettverksbrugerhåndboken på CD-ROM-en som fulgte med NC-7100w.

Oppbevar hurtigoppsettguiden og CD-ROM-en på et lett tilgjengelig sted, slik at du når som helst kan slå opp i dem på en rask og enkel måte.

## Svenska

Denna produkt är endast godkänd för användning i det land där den inhandlades. Använd inte produkten i andra länder än inköpslandet, eftersom det kan strida mot det aktuella landets lagstiftning om trådlös telekommunikation.

Läs igenom den här snabbguiden innan du installerar NC-7100w och använder skrivaren i det trådlösa nätverket.

Se bruksanvisning för nätverksanvändare till NC-7100w på cd-romskivan som medföljer NC-7100w, för mer information om hur du kan optimera den trådlösa skrivarservern.

Spara den här snabbguiden och den medföljande cd-romskivan på en lämplig plats, så att du alltid snabbt och enkelt kan använda dem.

## Dansk

Dette produkt er kun godkendt til brug i det land, hvor det er købt. Brug ikke dette produkt uden for det land, hvor det er købt, da det eventuelt er en overtrædelse af reglerne om trådløs telekommunikation i det pågældende land.

Læs denne Hurtig installationsanvisning, før du installerer NC-7100w og bruger printerens på det trådløse netværk.

Se Brugsanvisning til NC-7100w på den medfølgende cd-rom for at få flere oplysninger om, hvordan du optimerer det trådløse printernetkort.

Opbevar altid denne Hurtig installationsanvisning og den medfølgende cd-rom på et tilgængeligt sted, så du hurtigt og let kan få fat i den.

## Português

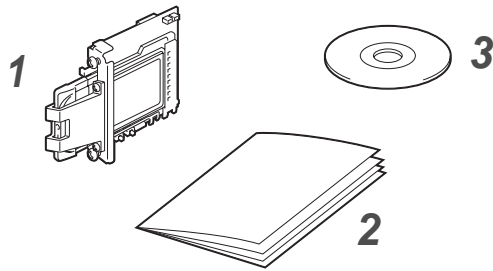
A utilização deste produto só está aprovada no país onde foi efectuada a aquisição. Não utilize este produto fora do país onde o adquiriu, pois pode violar os regulamentos relativos a telecomunicações sem fios no país em questão.

Leia este Guia de configuração rápida antes de instalar a NC-7100w e de utilizar a impressora na rede sem fios.

Para obter informações mais detalhadas sobre como optimizar o servidor de impressão sem fios, consulte o Manual de utilização da rede da NC-7100w, incluído no CD-ROM fornecido com a NC-7100w.

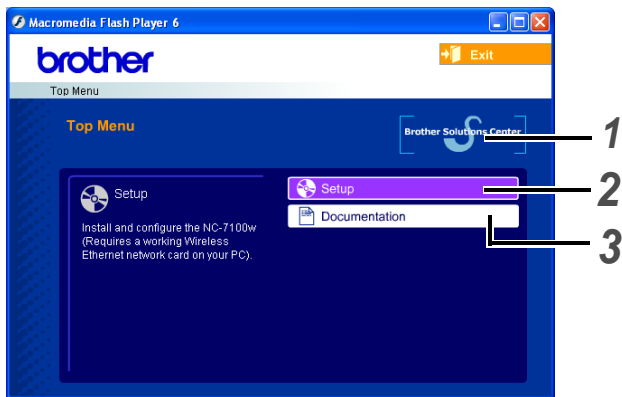
Guarde este Guia de configuração rápida e o CD-ROM fornecido num local acessível para poder utilizá-lo rápida e eficazmente, sempre que for necessário.

# Carton Components



- 1 NC-7100w wireless print server
- 2 Quick Setup Guide
- 3 CD-ROM (including setup software and NC-7100w Network User's Guide)

# What is supplied on the CD-ROM



- 1 **Brother Solutions Center**  
The Brother Solutions Center (<http://solutions.brother.com>) is a one-stop resource for all your printer needs. Download the latest drivers and utilities for your printers, read the FAQs and troubleshooting tips, or learn about printer solutions.
- 2 **Setup**  
You can view the Wireless Setup Wizard which guides you through the print server configuration. You can also install the printer driver and BRAdmin Professional utility.

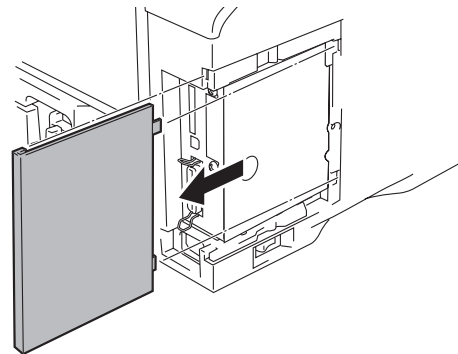
- 3 **Documentation**  
View NC-7100w Network User's Guide and the Quick Setup Guide in PDF format.

# Setting up the Print Server

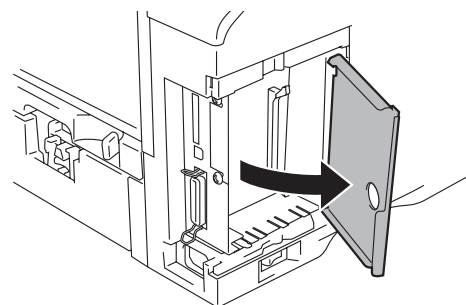
## Step 1

### Installing the Print Server

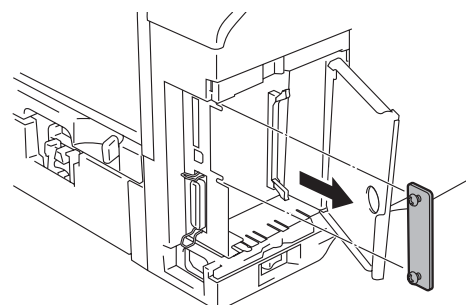
- 1 Turn off the printer power switch, and then unplug the printer if connected. Disconnect the interface cable from the printer.
- 2 Slide and remove the side cover of the printer.



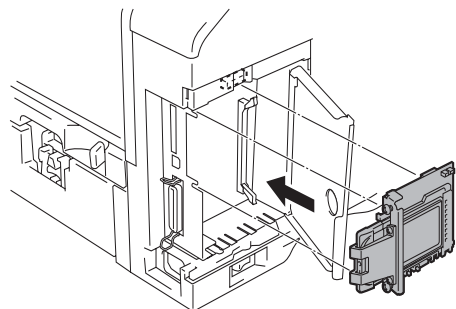
- 3 Open the interface access cover.



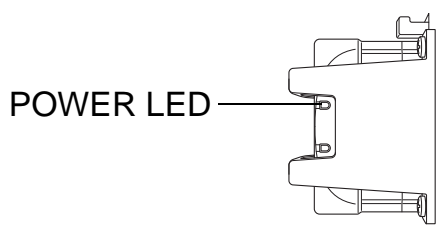
- 4 Loosen the two screws, and then remove the network cover plate.



- 5 Put the NC-7100w print server connector firmly into the connector of the main controller board by aligning the two screws to the groove of the printer, and then secure it with the two screws.



- 6 Close the interface access cover.  
7 Put the side cover back on.  
8 Plug the printer back in and then turn on the power switch.  
9 Make sure that the POWER LED of the print server is on.



- 10 Print a Network Configuration Page and make sure that the IP address has been set to 169.254.x.x (where x.x are numbers between 1 and 254). If the IP address has not yet initialized, wait for up to 5 minutes and then print another Network Configuration Page.



See *Other Information in this Quick Setup Guide for information how to print the Network Configuration Page.*

## Step 2

### Changing your Computer's Wireless Settings to configure the NC-7100w

Before you can use the printer in a wireless network, the NC-7100w wireless print server must be configured to match your network configuration.

To configure the NC-7100w from a wireless computer on your network, you must temporarily change your current wireless settings. Before changing the current wireless settings of your PC, we recommend you make a note of your current wireless network settings using the chart on the right. You will need to return to these settings at the end of Step 3.



*We recommend you to contact your network administrator if you need assistance with your computers wireless settings.*

#### Current wireless network settings of your computer

Item	Current Setting
Communication Mode: (Infrastructure / Ad-hoc)	
Network Name (SSID)	
Channel: (1-14)	
Encryption: (NONE / WEP / Other)	
Encryption Key Size and Type: (64 bit, 128 bit / ASCII, HEX / Other)	
Encryption Key:	

To communicate with the un-configured NC-7100w change your wireless PC settings to:

- Communication mode:** Ad-hoc  
(channel 11)
- Network name (SSID):** **SETUP**  
(case sensitive)
- Encryption:** **None**

**For Windows® 98/Me/2000,  
Windows NT® 4.0 Users**

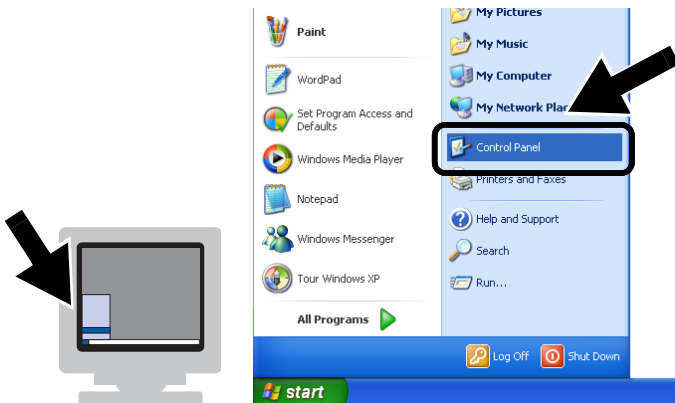
Please refer to your wireless card manufacturer instructions for changing the wireless settings. And then go to *Step 3 Configuring the Print Server*.



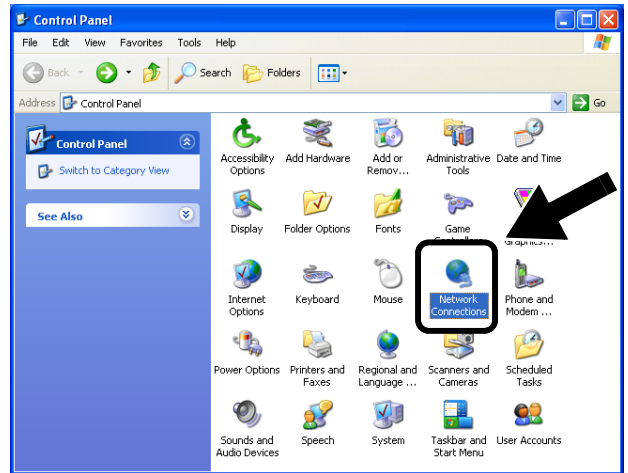
If you are using Windows® XP or Mac OS® X 10.1 to 10.3 and you are using its built in Wireless Ethernet capabilities, use the following steps for each Operating System.

**For Windows® XP Users**

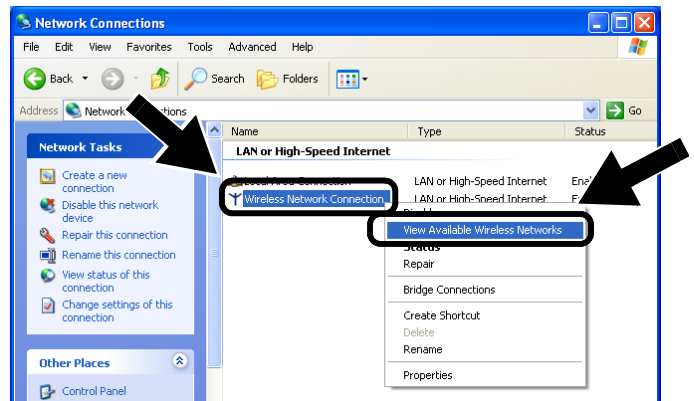
**1** Click **Start** and then **Control Panel**.



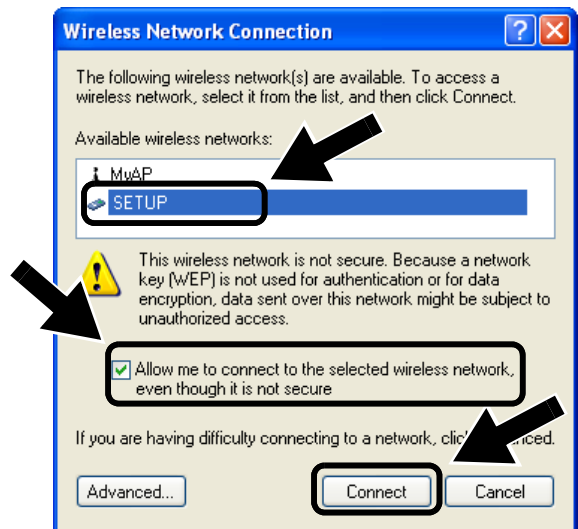
**2** Click the **Network Connections** icon.



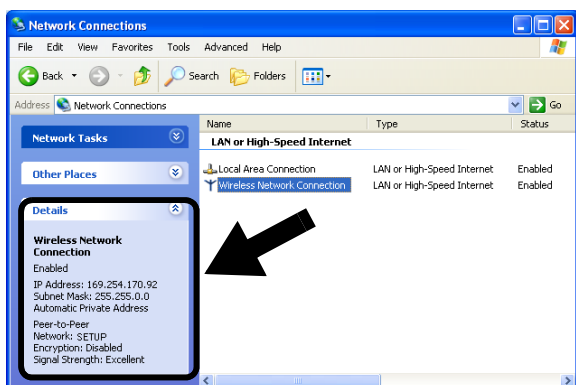
**3** Select and right click **Wireless Network Connection**. Click **View Available Wireless Networks**.



**4** You can see the Brother wireless print server in the **Available wireless networks** box. Select **SETUP** and check the **Allow me to connect...** check box. Click the **Connect** button.



- 5 Check the wireless network connection status. It may take a few minutes to change from 0.0.0.0 to 169.254.x.x IP address to be shown on screen (where x.x are numbers between 1 and 254).



*If the Brother wireless print server you want to choose is not listed, follow these steps:*

- 1 Move your printer with the wireless print server installed closer to your PC, or reorient the print server and try again.
- 2 Reset the print server back to its default factory setting and try again. See *Other Information* in this Quick Setup Guide for information how to reset to factory default setting.
- 3 Refer to Chapter 10 of the NC-7100w Network User's Guide on the CD-ROM we have supplied with NC-7100w.

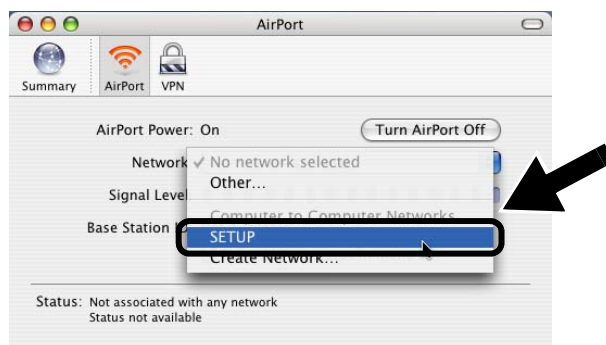
**Continue to Step 3**

## For Mac OS® X 10.1 to 10.3 Users

- 1 Click the AirPort status icon and select **Open Internet Connect...**



- 2 Click the Network tab to see the available wireless devices. You can see the Brother wireless print server in the **Network** option. Select **SETUP**.



- 3 Your wireless network is connected successfully.





If the Brother wireless print server you want to choose is not listed, follow these steps:

- 1 Move your printer with the wireless print server installed closer to your PC, or reorient the print server and try again.
- 2 Reset the print server back to its default factory setting and try again. See *Other Information* in this Quick Setup Guide for information how to reset to factory default setting.
- 3 Refer to Chapter 10 of the NC-7100w Network User's Guide on the CD-ROM we have supplied with NC-7100w.

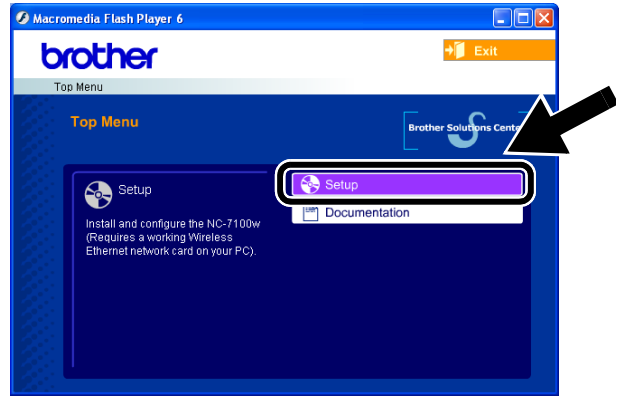
## Step 3

### Configuring the Print Server

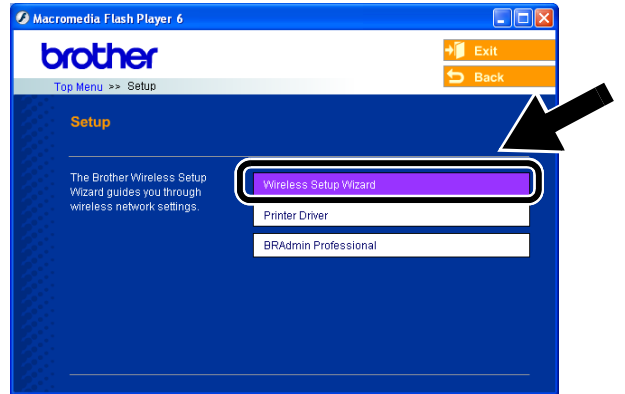
- 1 Insert the CD-ROM into your CD-ROM drive.  
(For Windows® users) The opening screen will appear automatically.  
(For Mac OS® X 10.1 to 10.3 users) Double-click the **NC7100w** icon on your Macintosh®, and then double-click the **Start Here** icon.
- 2 Select your language.



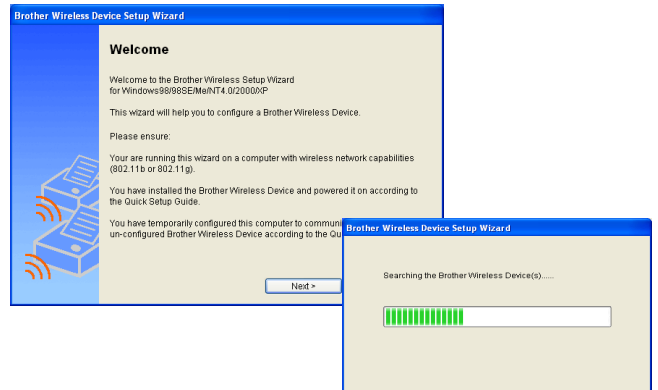
- 3 Click **Setup**.



- 4 Click **Wireless Setup Wizard**.

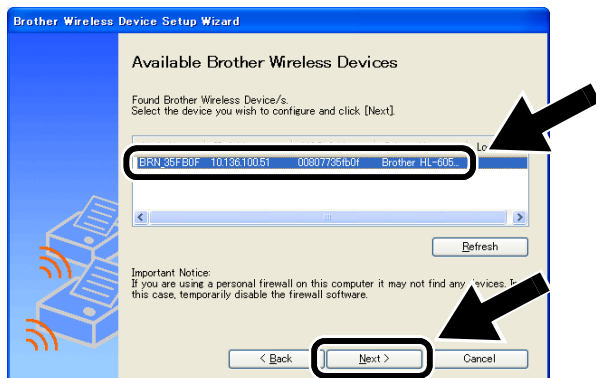


- 5 Review the **Welcome** information and when you are sure you have completed the necessary tasks, click **Next**.





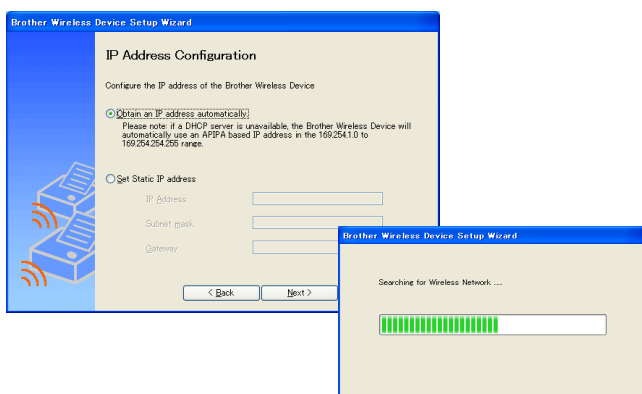
- 6 The search will display a list of found Brother Wireless Devices. Select the device you wish to configure and click **Next**.



- 7 If your network supports DHCP, choose **Obtain an IP address automatically** and the NC-7100w will automatically obtain IP address information from your network.

If you want to manually enter the IP address settings of the NC-7100w, choose **Set static IP address** and enter the necessary IP address settings for your network.

After making your selection, click **Next** and the Wizard will search for available wireless networks.

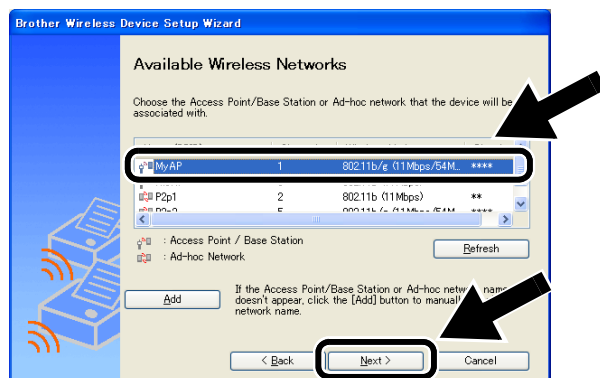


The NC-7100w supports the Automatic Private IP Addressing (APIPA) protocol. If a DHCP server is unavailable, the NC-7100w will automatically assign an IP address from the range 169.254.1.0 to 169.254.254.255.



We recommend that you contact your network administrator if you are unsure about the correct IP address settings.

- 8 A list of the found Wireless Networks will be displayed. Select the Access Point/Base Station or Ad-hoc network you wish to associate the NC-7100w with and click **Next**.



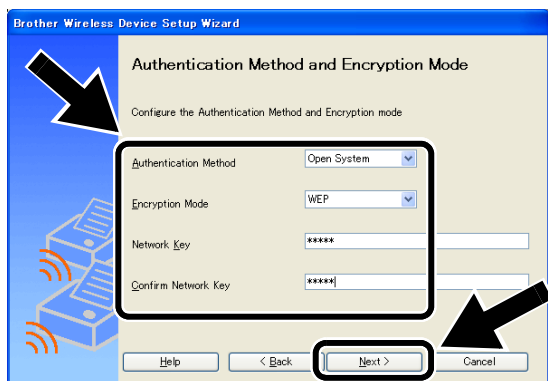
If the Access Point/Base Station or Ad-hoc network does not appear on the list, you can manually add it by clicking **Add**. Follow the on screen instructions for entering the SSID and Channel number.

- 9 If your network is not configured for Authentication and Encryption, the screen shown will appear. To continue installation, click **OK**.

Go to **Step 11**.



- 10 When configuring your Brother Wireless device, you must ensure that it is configured to match the Authentication and Encryption settings of our existing wireless network. If your network is configured for Authentication and Encryption, choose the **Authentication Method** and **Encryption Mode** from the pull downs in each setting box. Then enter the **Network Key** and click **Next**.



### Authentication Methods:

Authentication is used to identify each wireless device that is attempting to access the network.

#### Open System

Wireless devices are allowed access to the network without authentication.

#### Shared Key (Infrastructure mode only)

A secret pre-determined key is shared by all devices that will access the wireless network.

### Encryption Methods:

Encryption is used to secure the data itself. The NC-7100w supports WEP encryption.

#### None

No encryption method is used.

#### WEP

By using WEP (Wired Equivalent Privacy), the data is transmitted and received with a secured key.

### Network Key:

There are some rules for each security method:

#### Open System / Shared Key with WEP

Enter the WEP key that will be used to access your network. This key is a 64-bit or 128-bit value that must be entered in an ASCII or HEXADECIMAL format.

##### ■ 64 (40) bit ASCII

Uses 5 text characters.

e.g. "Hello" (this is case sensitive)

##### ■ 64 (40) bit Hexadecimal

Uses 10 digits of Hexadecimal data.

e.g. "71f2234aba"

##### ■ 128 (104) bit ASCII

Uses 13 text characters.

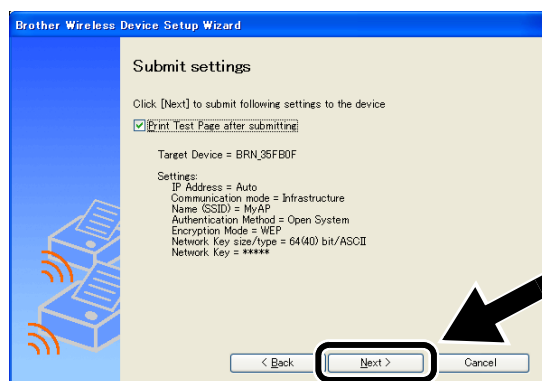
e.g. "Wirelesscomms" (this is case sensitive)

##### ■ 128 (104) bit Hexadecimal

Uses 26 digits of Hexadecimal data.

e.g. "71f2234ab56cd709e5412aa3ba"

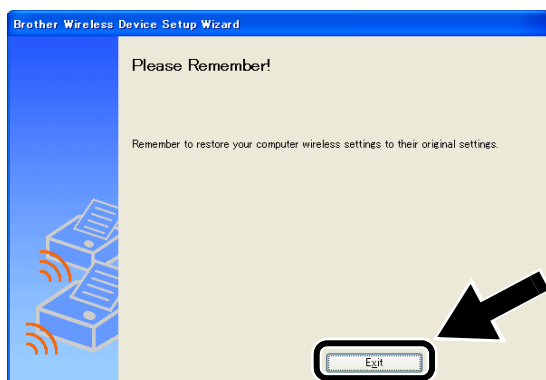
- 11 Click **Next** to submit the settings to the NC-7100w.



- 12 When the Setup Complete screen appears, click **Next**.



- 13 Using the information you recorded in Step 2, return the wireless settings of your computer back to their original settings. Click **Exit**.



You can also configure the NC-7100w from the control panel of the printer, or using the BRAdmin utilities or a web browser. See Appendix B of the NC-7100w Network User's Guide for more details.

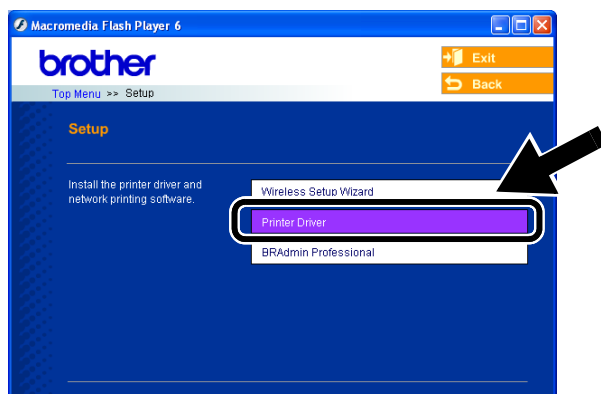
## Step 4

### Installing the Printer Driver and Network Print Software

You need to install the printer driver and network print software, and configure it for the wireless network connection of the printer. Please follow the steps below.

(For Mac OS® X 10.1 to 10.3 users) If you already have the printer driver installed in your computer, go to Step 3.

- 1 Click **Printer Driver**.



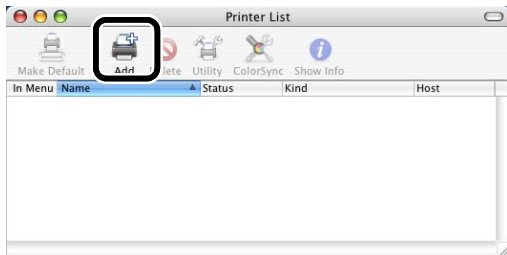
- 2 (For Windows® users) Refer to P19 to P23 of the **Printer Quick Setup Guide** for the rest of the steps.  
(For Mac OS® X 10.1 to 10.3 users) Follow the on-screen instructions.

**OK!** For Windows® users:  
Setup is now complete.

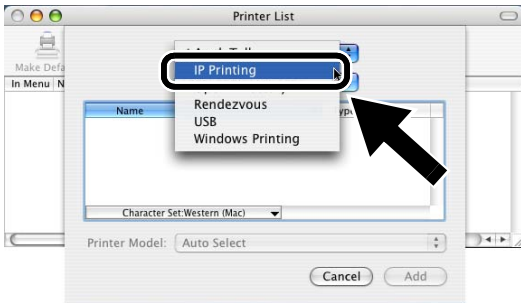
#### For Mac OS® X 10.1 to 10.3 Users

- 3 From the **Go** menu, select **Applications**. Open the **Utilities** folder, and then open the **Print Center** icon.

4 Click **Add**.



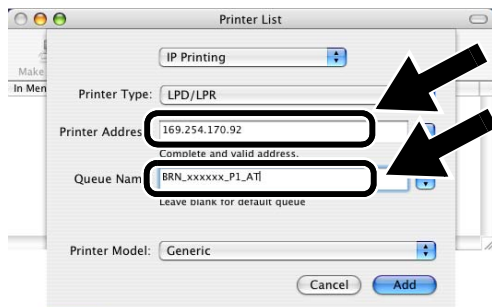
5 Select **IP Printing**.



**For Mac OS® X 10.2.4 or greater users:**

If you want to connect your printer using the Simple Network Configuration capabilities of Apple® Mac OS® X, select Rendezvous and then the **HL-6050D\_DN series**. Setup is now complete.

6 Enter the TCP/IP address of the printer into the **Printer's Address** box. If you are not using the default Queue, enter **BRN\_XXXXXX\_P1\_AT**.

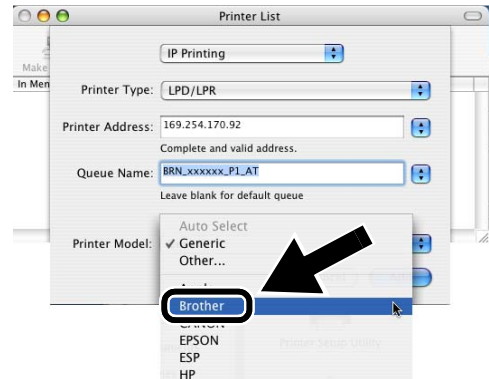


*You can find the TCP/IP address by printing out the Network Configuration Page. See Other Information in this Quick Setup Guide for information how to print the Network Configuration Page.*

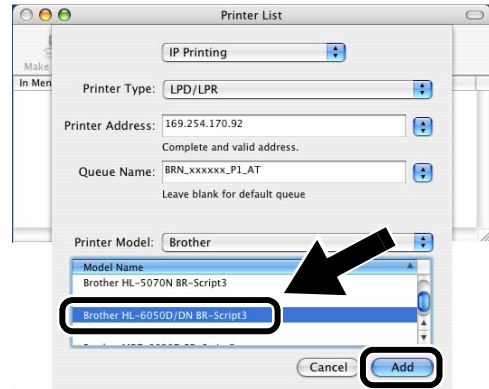


*xxxxxx is the last six digits of the MAC address. You can find the MAC address by printing out the Network Configuration Page. See Other Information in this Quick Setup Guide for information how to print the Network Configuration Page.*

7 Select **Brother** from the **Printer Model** pull-down list.



8 Select **HL-6050D/DN BR-Script3**, and then click **Add**.

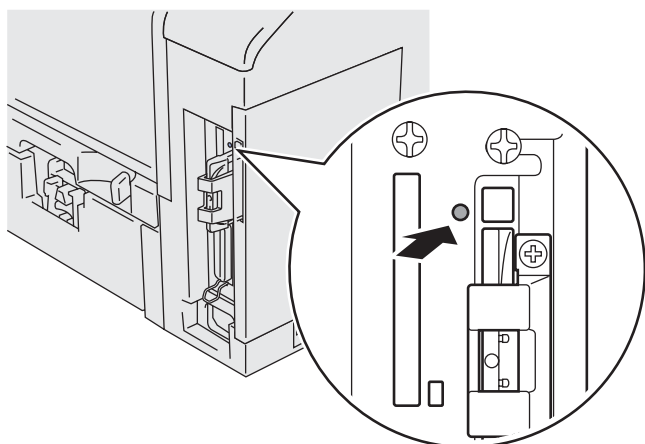


**Setup is now complete.**

## Other Information

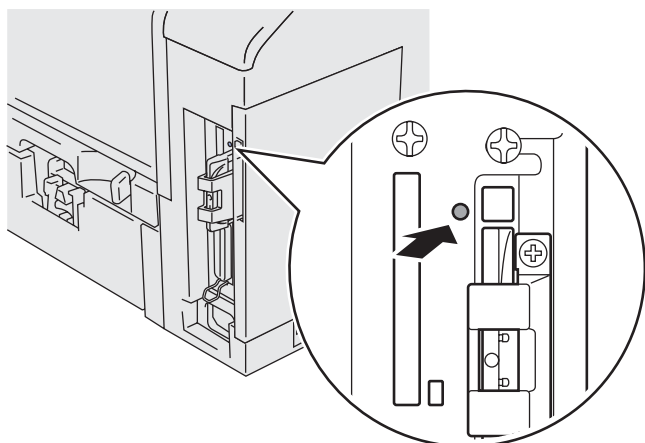
### How to Print a Network Configuration Page

To print the Network Configuration Page, use a fine ball point pen to hold down the Network Test Button of the printer for **less** than 5 seconds.

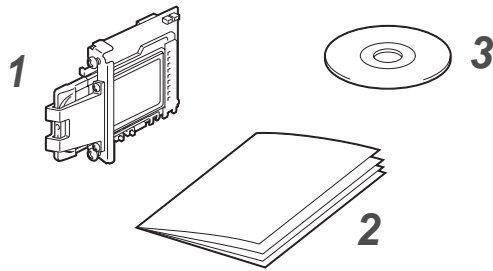


### How to Reset to Factory Default Setting

If you wish to reset the print server back to its default factory settings (resetting all information such as the password and IP address information), use a fine ball point pen to hold down the Network Test Button for **more** than 5 seconds.



# Lieferumfang



- 1 NC-7100w Wireless PrintServer
- 2 Installationsanleitung
- 3 CD-ROM (einschließlich Setup-Software und NC-7100w Netzwerkhandbuch)

# Inhalt der CD-ROM



- 1 **Brother Solutions Center**  
Alles was Sie für Ihren Drucker benötigen finden Sie im Brother Solutions Center (<http://solutions.brother.com>). Sie können dort die neuesten Treiber und Dienstprogramme für Ihre Drucker herunterladen, Antworten auf häufig gestellte Fragen und Tipps zur Problemlösung lesen oder sich über Lösungen besonderer Druckprobleme informieren.
- 2 **Installation und Einrichtung**  
Der Setup Assistent für Brother Wireless PrintServer führt Sie durch die Konfigurationsoptionen. Außerdem können Sie den Druckertreiber und das Programm Web BAdmin installieren.

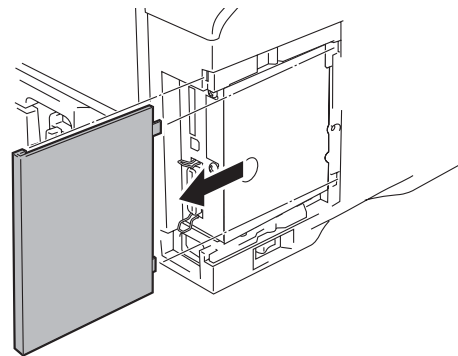
- 3 **Dokumentation**  
Lesen Sie das NC-7100w Netzwerkhandbuch und die Installationsanleitung im PDF-Format.

# PrintServer einrichten

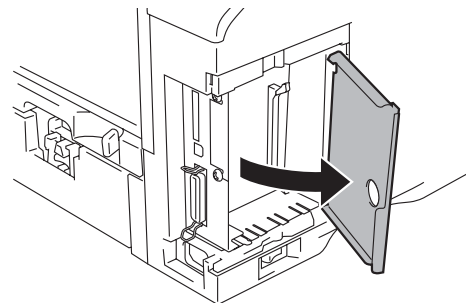
## Schritt 1

### PrintServer installieren

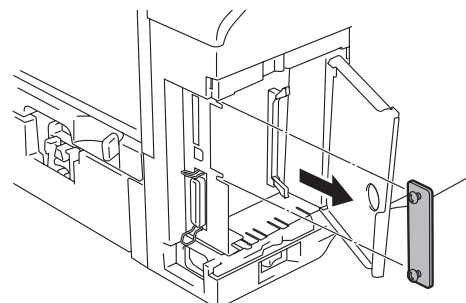
- 1 Schalten Sie das Gerät aus und ziehen Sie den Netzstecker. Ziehen Sie das Anschlusskabel (Druckerkabel) vom Drucker ab.
- 2 Schieben Sie die seitliche Abdeckung heraus und entfernen Sie sie.



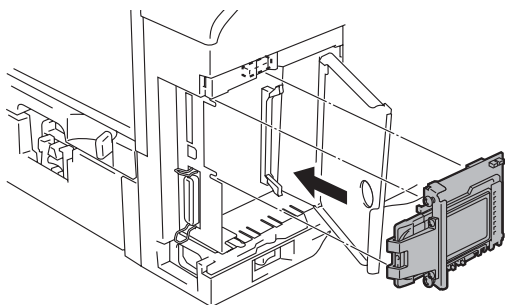
- 3 Öffnen Sie die Anschlussabdeckung.



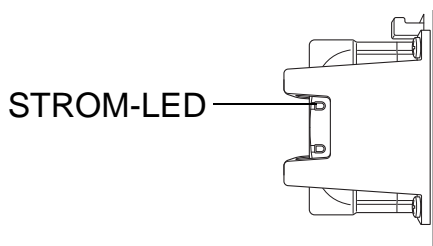
- 4 Lösen Sie die zwei Schrauben und entfernen Sie die Netzwerkkartenabdeckung.



- 5 Schließen Sie den PrintServer-Anschluss an den Anschluss auf der Hauptplatine an, setzen Sie die zwei Schrauben in die Aussparung ein und sichern Sie ihn mit den beiden Schrauben.



- 6 Schließen Sie die Anschlussabdeckung.
- 7 Bringen Sie die Seitenabdeckung wieder an.
- 8 Schließen Sie das Netzkabel des Druckers wieder an und schalten Sie den Netzschalter ein.
- 9 Vergewissern Sie sich, dass die Strom-LED des PrintServers an ist.



- 10 Drucken Sie die Netzwerkkonfigurationsseite aus und vergewissern Sie sich, dass die IP-Adresse 169.254.x.x (dabei steht x.x für Zahlen zwischen 1 und 254) lautet. Wenn die IP-Adresse noch nicht initialisiert wurde, warten Sie etwa 5 Minuten und drucken Sie die Netzwerkkonfigurationsseite erneut aus.



*Nähere Informationen zum Drucken der Netzwerkkonfigurationsseite finden Sie in der Installationsanleitung.*

## Schritt 2

### Änderung der Wireless-Einstellungen Ihres Computers zum Einrichten des NC-7100 PrintServers

Vor der Inbetriebnahme des Druckers im drahtlosen Netzwerk muss der NC-7100w PrintServer Ihrem Netzwerk entsprechend konfiguriert werden.

Um den NC-7100w PrintServer über einen drahtlosen Computer Ihres Netzwerks zu konfigurieren, müssen Sie zeitweilig die Wireless-Einstellungen für die drahtlose Kommunikation Ihres Computers ändern. Tragen Sie vor dem Ändern die aktuellen Wireless-Einstellungen in die untere Tabelle ein. Sie benötigen diese Einstellungsdaten am Ende von Schritt 3.



*Falls Sie Probleme mit Ihren Wireless-Einstellungen haben, kontaktieren Sie bitte Ihren Netzwerkadministrator.*

#### Ihre aktuellen Wireless-Netzwerkeinstellungen

Einstellpunkte	Aktuelle Einstellungen
Kommunikationsmodus: (Ad-hoc / Infrastruktur)	
Netzwerkname (SSID)	
Kanal: (1-14)	
Verschlüsselung: (KEINE / WEP/ Andere)	
Größe/Art der Verschlüsselung: (64 Bit, 128 Bit / ASCII, HEX / Andere)	
Schlüssel:	

Ändern Sie die Wireless-Einstellungen Ihres Computers, um mit dem noch nicht konfigurierten NC-7100w Wireless PrintServer zu kommunizieren:

**Kommunikationsmodus: Ad-hoc**  
(Kanal 11)

**Netzwerkname (SSID): SETUP**  
(Groß-/Kleinschreibung beachten)

**Verschlüsselung: Keine**

**Für Benutzer von Windows®  
98/Me/2000, Windows NT® 4.0**

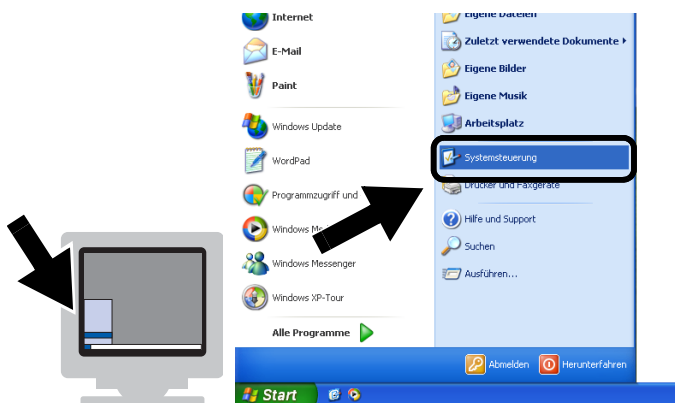
Wie Sie die Einstellungen für den drahtlosen Betrieb ändern, finden Sie in der Anleitung für die drahtlose Netzwerkkarte Ihres PCs. Fahren Sie dann mit *Schritt 3 PrintServer konfigurieren* fort.

**Fahren Sie mit Schritt 3 fort**

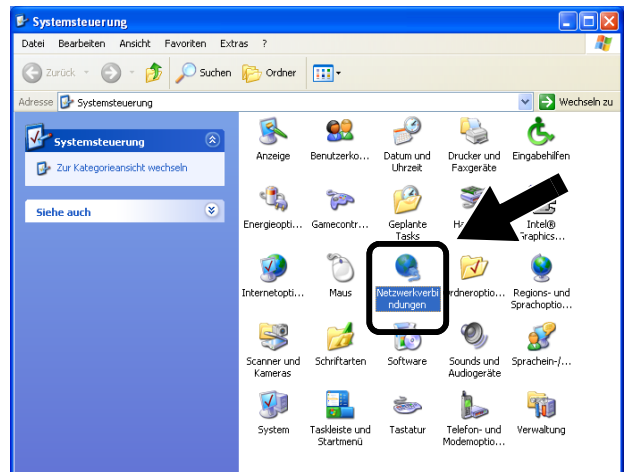
Wenn Sie Windows® XP oder Mac OS® X 10.1 bis 10.3 mit integrierten drahtlosen Ethernet-Netzwerkoptionen verwenden, führen Sie die nachfolgenden Schritte für das betreffende Betriebssystem aus.

**Für Windows® XP**

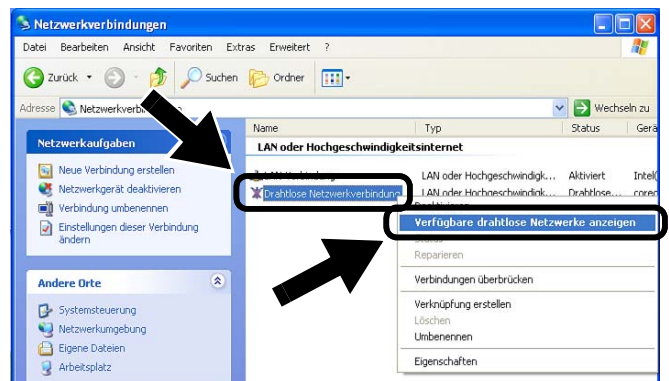
**1** Klicken Sie auf **Start** und dann auf **Systemsteuerung**.



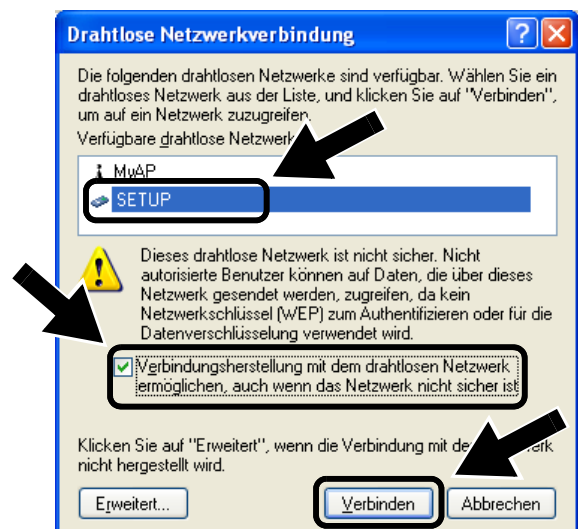
**2** Klicken Sie auf **Netzwerkverbindungen**.



**3** Klicken Sie mit der rechten Maustaste auf **Drahtlose Netzwerkverbindungen**. Klicken Sie auf **Verfügbare drahtlose Netzwerke anzeigen**.

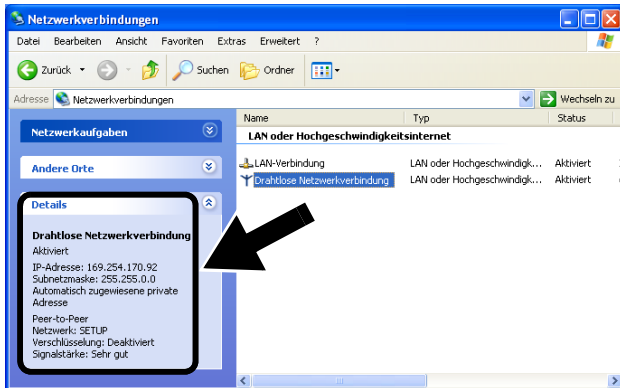


**4** Ihr Brother Wireless PrintServer NC-7100w wird im Feld **Verfügbare drahtlose Netzwerke**: angezeigt. Markieren Sie **SETUP** und aktivieren Sie das Kontrollkästchen **Verbindungsherstellung mit dem ...** Klicken Sie auf **Verbinden**.





- 5 Überprüfen Sie den Status der drahtlosen Netzwerkverbindung. Es kann ein paar Minuten dauern, bis die IP-Adresse von 0.0.0.0 zu 169.254.x.x geändert und angezeigt wird (dabei steht x.x für Zahlen zwischen 1 und 254).



Wenn Ihr Brother Wireless PrintServer nicht in dem Feld aufgelistet ist, gehen Sie wie im Folgenden beschrieben vor:

- 1 Stellen Sie den Drucker mit dem installierten Wireless PrintServer näher an Ihrem PC auf und versuchen Sie es erneut.
- 2 Setzen Sie den PrintServer zu den werkseitigen Voreinstellungen zurück und versuchen Sie es erneut. Nähere Informationen zum Wiederherstellen der werkseitigen Standardeinstellungen finden Sie in dieser Installationsanleitung.
- 3 Detaillierte Informationen finden Sie im Kapitel 10 des Netzwerkhandbuchs auf CD-ROM, die mit Ihrem PrintServer NC-7100w mitgeliefert wurde.

Fahren Sie mit Schritt 3 fort

## Für Mac OS® X 10.1 bis 10.3

- 1 Klicken Sie auf das AirPort Statussymbol und wählen Sie „Internet-Verbindung“ öffnen.



- 2 Klicken Sie auf das Dropdown-Menü **Netzwerke**.

Ihr Brother Wireless PrintServer NC-7100w wird im Feld **Verfügbare drahtlose Netzwerke**: angezeigt. Klicken Sie auf **SETUP**.



- 3 Nun ist die Verbindung zu Ihrem drahtlosen Netzwerk hergestellt.





Wenn Ihr Brother Wireless PrintServer nicht in dem Feld aufgelistet ist, gehen Sie wie im Folgenden beschrieben vor:

- 1 Stellen Sie den Drucker mit dem installierten Wireless PrintServer näher an Ihrem PC auf und versuchen Sie es erneut.
- 2 Setzen Sie den PrintServer zu den werkseitigen Voreinstellungen zurück und versuchen Sie es erneut. Nähere Informationen zum Wiederherstellen der werkseitigen Standardeinstellungen finden Sie in dieser Installationsanleitung.
- 3 Detaillierte Informationen finden Sie im Kapitel 10 des Netzwerkhandbuchs auf CD-ROM, die mit Ihrem PrintServer NC-7100w mitgeliefert wurde.

## Schritt 3

### PrintServer konfigurieren

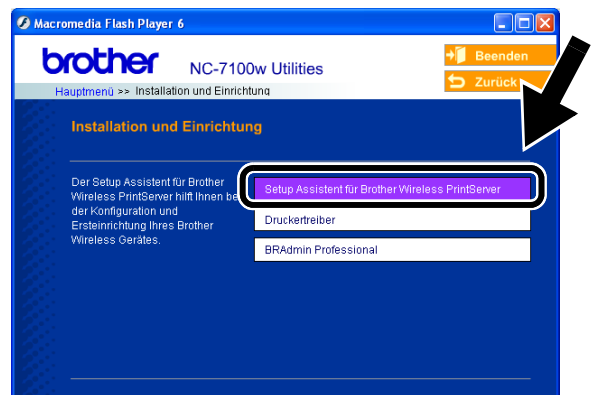
- 1 Legen Sie die CD in das CD-ROM-Laufwerk ein. (Unter Windows®) Das erste Fenster wird automatisch angezeigt. (Unter Mac OS® X 10.1 bis 10.3) Doppelklicken Sie auf das **NC7100w**-Symbol auf Ihrem Macintosh®, doppelklicken Sie anschließend auf das **Start Here**-Symbol.
- 2 Wählen Sie Ihre Sprache.



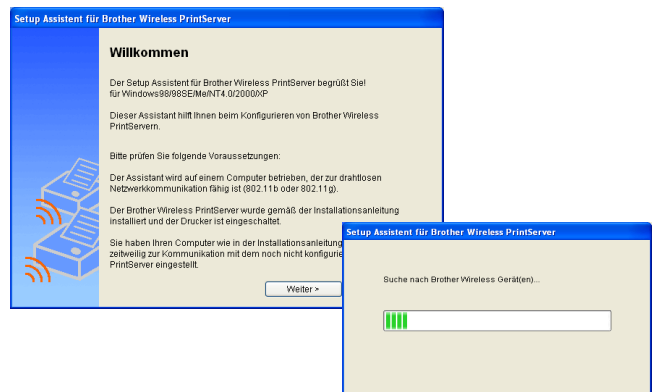
- 3 Klicken Sie auf **Installation und Einrichtung**.



- 4 Klicken Sie auf **Setup Assistent für Brother Wireless PrintServer**.



- 5 Prüfen Sie die Angaben in dem Begrüßungsfenster auf Vollständigkeit, klicken Sie anschließend auf **Weiter**.



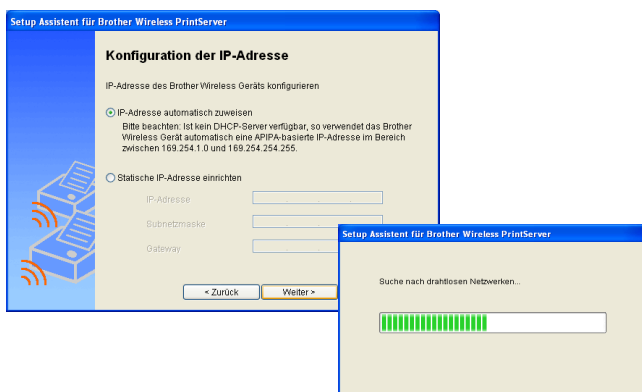
- 6 Die vom Assistenten gefundenen Brother Wireless Geräte werden aufgelistet. Wählen Sie das Gerät, das Sie konfigurieren wollen, und klicken Sie auf **Weiter**.



- 7 Wenn Ihr Netzwerk DHCP unterstützt, wählen Sie **IP-Adresse automatisch zuweisen**. Ihr Netzwerk weist somit Ihrem Wireless PrintServer NC-7100w automatisch eine IP-Adresse zu.

Möchten Sie die IP-Adresse lieber manuell zuweisen, wählen Sie **Statische IP-Adresse einrichten** und geben Sie die notwendigen Angaben ein.

Klicken Sie anschließend auf **Weiter** und der Assistent sucht nach verfügbaren drahtlosen Netzwerken.



Das **APIPA-Protokoll (Automatic Private IP Addressing)** wird vom Wireless PrintServer NC-7100w unterstützt. Ist kein DHCP-Server verfügbar, so vergibt der Wireless PrintServer NC-7100w automatisch eine IP-Adresse zwischen 169.254.1.0 und 169.254.254.255.



Wenden Sie sich an Ihren Netzwerkadministrator, wenn Sie Probleme beim Einstellen von IP-Adressen haben.

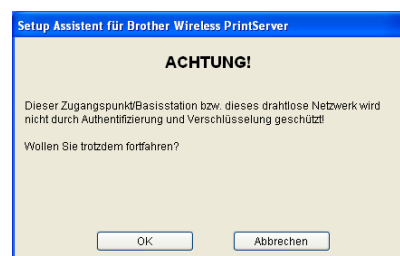
- 8 Die verfügbaren drahtlosen Netzwerke werden angezeigt. Wählen Sie Zugangspunkt/Basisstation oder Ad-hoc-Netzwerk, dem der Wireless PrintServer NC-7100w zugewiesen werden soll. Klicken Sie anschließend auf **Weiter**.



Wird der Name von Zugangspunkt/Basisstation oder Ad-hoc-Netzwerk nicht angezeigt, so klicken Sie auf **Hinzufügen**, um den Netzwerknamen manuell einzugeben. Befolgen Sie die auf dem Bildschirm erscheinenden Anweisungen zum Eingeben der SSID- und Kanalnummer.

- 9 Wenn Ihr Netzwerk nicht für Authentifizierung und Verschlüsselung konfiguriert ist, wird das nachfolgende Fenster angezeigt. Um mit dem Installieren fortzufahren, klicken Sie auf **OK**.

Fahren Sie mit **Schritt 11** fort.



- 10 Beim Konfigurieren Ihres Brother Wireless PrintServers müssen Sie sicherstellen, dass die Einstellungen für die Authentifizierung und Verschlüsselung die gleiche Konfiguration aufweist wie die des bestehenden drahtlosen Netzwerks. Wenn Ihr Netzwerk fürs Authentifizieren und Verschlüsseln konfiguriert ist, wählen Sie aus den Pulldown-Menüs der jeweiligen Felder **Authentifizierungsmethode** und **Verschlüsselungsmethode**. Geben Sie den **Netzwerkschlüssel** ein und klicken Sie auf **Weiter**.



### Authentifizierungsmethoden:

Durch das Authentifizieren wird jedes drahtlose Gerät beim Zugreifen auf das Netzwerk identifiziert.

#### Open System

Wireless Geräte können ohne Authentifizierung auf das Netzwerk zugreifen.

#### Shared Key (nur im Infrastruktur-Modus)

Ein geheimer, zuvor definierter Schlüssel wird von allen Geräten für den Zugang zum drahtlosen Netzwerk benutzt.

### Verschlüsselungsmethoden:

Durch die Verschlüsselung werden die übertragenen Daten geschützt. Der NC-7100w PrintServer unterstützt WEP-Verschlüsselung.

**Keine** Die Daten werden nicht verschlüsselt.

**WEP** Bei der WEP-Verschlüsselung (Wired Equivalent Privacy) werden die Daten mittels eines Sicherheitschlüssels versendet und empfangen.

### Netzwerkschlüssel:

Hier folgen einige Regeln für die verschiedenen Sicherungsmethoden:

#### Open System/Shared Key mit WEP

Geben Sie den WEP-Key für den Zugang zu Ihrem Netzwerk ein. Dies ist ein 64-Bit oder 128-Bit Wert, der im ASCII- oder Hexadezimalformat eingegeben werden muss.

#### ■ 64 (40) Bit ASCII

Mit 5 Textzeichen.

z.B. "Hallo" (Groß-/Kleinschreibung beachten)

#### ■ 64 (40) Bit hexadezimal

Mit 10 Stellen Hexadezimaldaten.

z.B. "71f2234aba"

#### ■ 128 (104) Bit ASCII

Mit 13 Textzeichen.

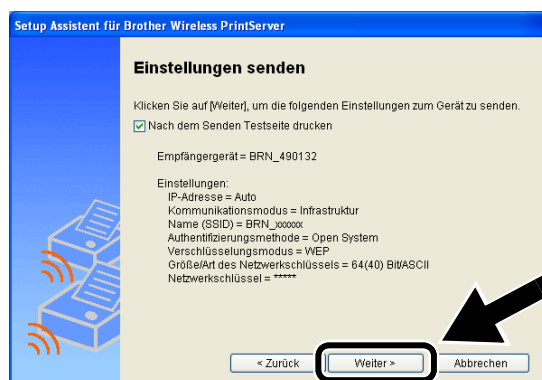
z.B. "Wirelesscomms" (Groß-/Kleinschreibung beachten)

#### ■ 128 (104) Bit hexadezimal

Mit 26 Stellen Hexadezimaldaten.

z.B. "71f2234ab56cd709e5412aa3ba"

- 11 Klicken Sie auf **Weiter**, um die Einstellungen zum Wireless PrintServer NC-7100w zu senden.



- 12 Wenn das Ende der Installation gemeldet wird, klicken Sie bitte auf **Weiter**.



- 13 Jetzt können Sie mit Hilfe der im Schritt 2 aufgeschriebenen Daten Ihre ursprünglichen Wireless-Einstellungen wiederherstellen. Klicken Sie anschließend auf **Beenden**.



Der Wireless PrintServer NC-7100w kann auch über das Funktions-tastenfeld des Druckers oder mit Hilfe des Programms Web BRAdmin bzw. eines Web-Browsers konfiguriert werden. Nähere Informationen finden Sie im Anhang B des NC-7100w Netzwerkhandbuchs.

## Schritt 4

### Druckertreiber und Brother-Software für Netzwerkdrucker installieren

Der Druckertreiber und die Brother-Software für Netzwerkdrucker müssen installiert und für die drahtlose Netzwerkverbindung Ihres Druckers konfiguriert werden. Befolgen Sie die nachstehenden Schritte.

(Unter Mac OS® X 10.1 bis 10.3) Wenn Sie bereits den Druckertreiber installiert haben, fahren Sie mit Schritt 3 fort.

- 1 Klicken Sie auf **Druckertreiber**.



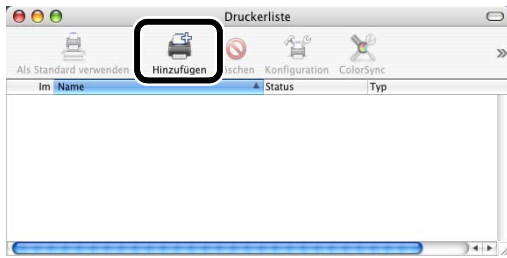
- 2 (Für Windows®) Die anschließenden Schritte finden Sie in der **Installationsanleitung des Druckers** auf den Seiten 19 bis 23. (Unter Mac OS® X 10.1 bis 10.3) Befolgen Sie die Anweisungen auf dem Bildschirm.

**OK!** Für Windows®:  
Die Einrichtung ist nun abgeschlossen.

### Für Mac OS® X 10.1 bis 10.3

- 3 Wählen Sie im Menü **Gehe zu** die Option **Programme**. Öffnen Sie den Ordner **Dienstprogramme**. Doppelklicken Sie auf das Symbol **Print Center**.

#### 4 Wählen Sie **Hinzufügen**.



#### 5 Wählen Sie **TCP/IP-Drucker**.



**Mac OS® X 10.2.4 oder höher:**  
Wenn Sie den Druckeranschluss unter Nutzung des einfachen Netzwerkkonfigurationssystems unter Apple® Mac OS® X herstellen wollen, wählen Sie Rendezvous und dann **HL-6050D\_DN series**. Die Einrichtung ist nun abgeschlossen.

#### 6 Geben Sie die TCP/IP-Adresse des Druckers in das Feld **Druckeradresse** ein. Sollten Sie nicht die Standardwarteschlange verwenden, geben Sie bitte **BRN\_XXXXXX\_P1\_AT** ein.

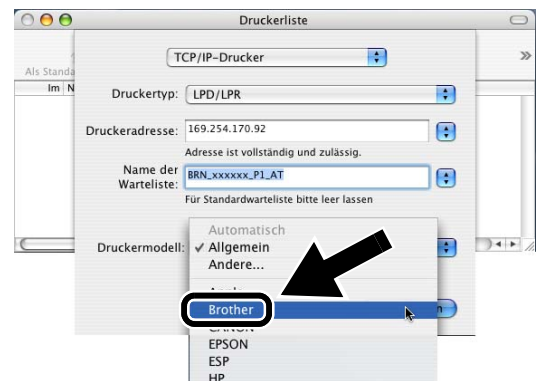


*TCP/IP-Adressen können Sie der Netzwerkkonfigurationsseite entnehmen. Nähere Informationen zum Drucken der Netzwerkkonfigurationsseite finden Sie in der Installationsanleitung.*

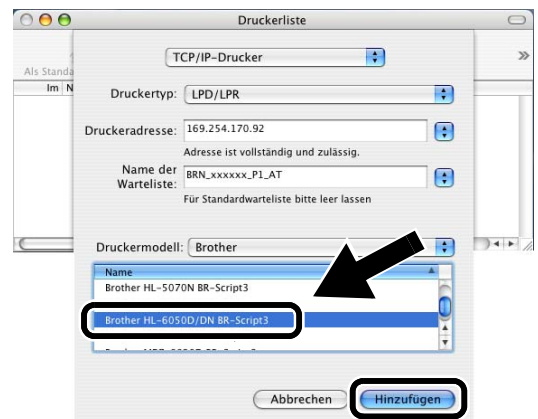


*xxxxxx steht für die letzten sechs Stellen der MAC-Adresse. MAC-Adressen können Sie der Netzwerkkonfigurationsseite entnehmen. Nähere Informationen zum Drucken der Netzwerkkonfigurationsseite finden Sie in der Installationsanleitung.*

#### 7 Wählen Sie **Brother** aus dem Pulldown-Menü **Druckermodell**.



#### 8 Wählen Sie **HL-6050D/DN BR-Script3**, und klicken Sie auf **Hinzufügen**.

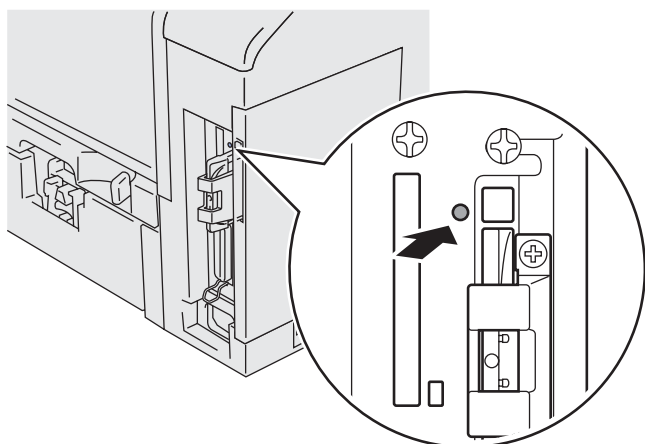


**Die Einrichtung ist nun abgeschlossen.**

## Weitere Informationen

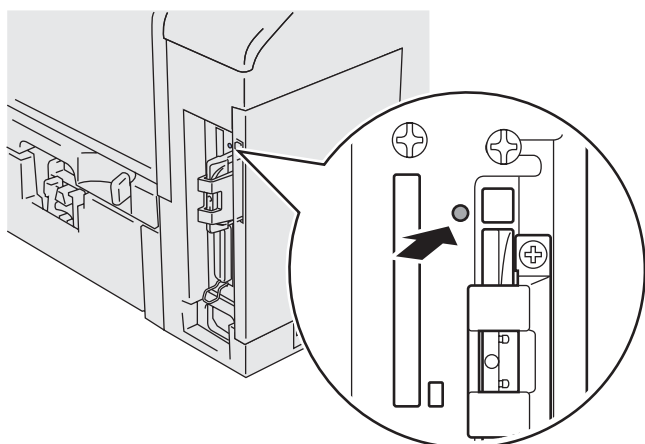
### Netzwerkkonfigurationsseite drucken

Zum Ausdruck der Netzwerkconfiguration drücken Sie die Netzwerk-Testtaste auf der Rückseite des Druckers mit einem spitzen Kugelschreiber **höchstens 4 Sekunden lang**.

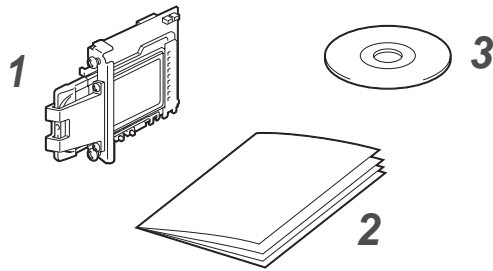


### PrintServer zu werkseitigen Voreinstellungen zurücksetzen

Um den PrintServer zu den werkseitigen Voreinstellungen zurückzusetzen (wobei sämtliche Angaben wie Kennwort und IP-Adresse zurückgesetzt werden), halten Sie die Netzwerk-Testtaste mit einem spitzen Kugelschreiber **länger als 5 Sekunden** gedrückt.

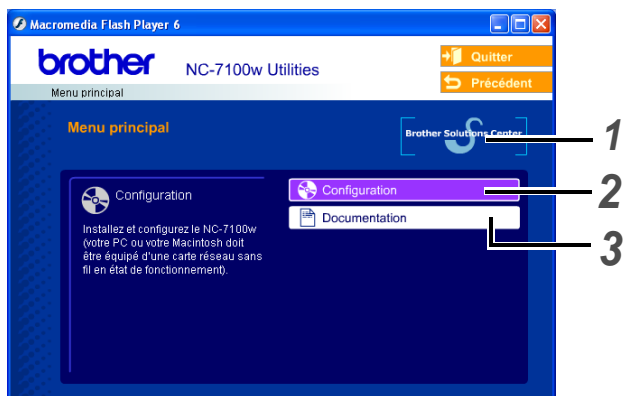


## Eléments fournis



- 1 Serveur d'impression NC-7100w
- 2 Guide d'installation rapide
- 3 CD-ROM (avec le logiciel de configuration et le Guide de l'utilisateur en réseau du NC-7100w)

## Contenu du CD-ROM



- 1 **Centre de solutions Brother**  
Le Centre de Solutions Brother (<http://solutions.brother.com>) regroupe en une adresse toutes les réponses à vos besoins d'impression. Téléchargez les pilotes et les utilitaires les plus récents pour vos imprimantes, consultez la Foire aux Questions et les conseils de dépannage des pannes ou découvrez des solutions d'impression spécifiques.
- 2 **Configuration**  
Vous pouvez visualiser l'Assistant de configuration de la connexion sans fil qui vous guidera tout au long de la procédure d'installation du serveur d'impression. Vous pouvez aussi installer le pilote d'imprimante et l'utilitaire BRAdmin Professional.

### 3 Documentation

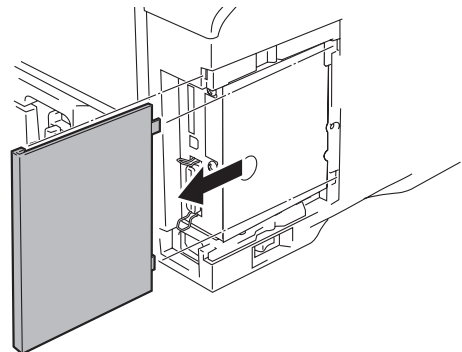
Visualisez le Guide de l'utilisateur en réseau du NC-7100w et le Guide d'installation rapide au format PDF.

## Configuration du serveur d'impression

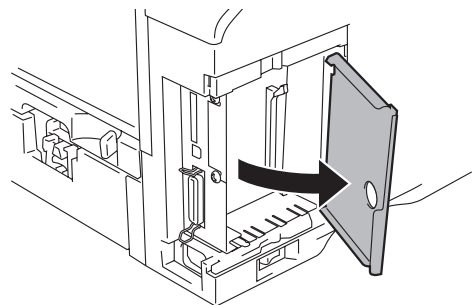
### Etape 1

## Installation du serveur d'impression

- 1 Eteignez l'interrupteur de l'imprimante puis débranchez l'imprimante si elle est connectée. Débranchez le câble d'interface de l'imprimante.
- 2 Faites coulisser le capot latéral de l'imprimante et enlevez-le.



- 3 Ouvrez le cache d'accès à l'interface.



- 4 Dévissez les deux vis puis retirez la plaque métallique du logement de la carte réseau.




## Etape 2

### Changement des paramètres sans fil de votre ordinateur pour configurer le NC-7100w

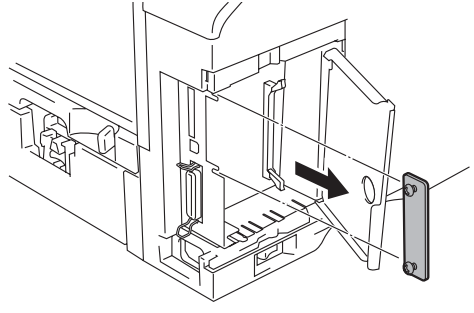
Avant de pouvoir utiliser l'imprimante sur un réseau sans fil, il faut d'abord configurer le serveur d'impression sans fil NC-7100w pour qu'il soit compatible avec la configuration de votre réseau.

Pour configurer le NC-7100w depuis un ordinateur sans fil de votre réseau, vous devez changer provisoirement vos paramètres sans fil courants de cet ordinateur. Avant de les modifier, nous vous conseillons de les noter à l'aide du tableau suivant. Il vous faudra redéfinir les paramètres à ces valeurs à la fin de l'étape 3.

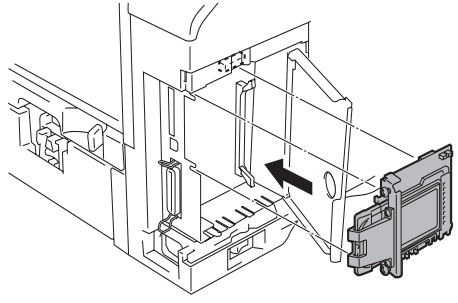
 *Nous vous recommandons de contacter votre administrateur réseau si vous avez besoin d'aide pour définir les paramètres sans fil de votre ordinateur.*

#### Paramètres réseau sans fil courants de votre ordinateur

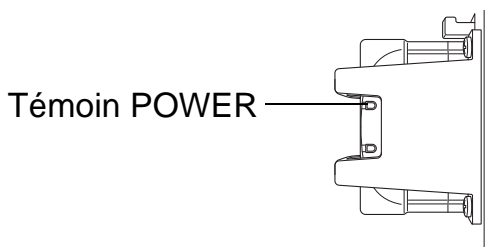
Paramètre	Valeur courante
Mode de communication : (Infrastructure / Ad-hoc)	
Nom du réseau (SSID)	
Canal : (1-14)	
Cryptage : (SANS / WEP / Autre)	
Taille et type de la clé de cryptage : (64 bits, 128 bits / ASCII, HEX / Autre)	
Clé de cryptage :	




**5** Insérez le connecteur du serveur d'impression NC-7100w à fond dans le connecteur de la carte principale en alignant les deux vis avec les orifices de l'imprimante puis immobilisez le connecteur au moyen des deux vis.



- 6** Fermez le cache d'accès à l'interface.
- 7** Remettez le capot latéral en place.
- 8** Rebranchez l'imprimante puis mettez-la sous tension.
- 9** Vérifiez que le témoin POWER du serveur d'impression est allumé.



**10** Imprimez une page de configuration du réseau et vérifiez que l'adresse IP est définie à 169.254.x.x (où x.x sont des nombres compris entre 1 et 254). Si l'adresse IP n'a pas encore été initialisée, attendez 5 minutes avant d'imprimer une autre page de configuration du réseau.

 *La rubrique Informations complémentaires de ce Guide d'installation rapide explique comment imprimer la page de configuration du réseau.*

Pour communiquer avec le NC-7100w non configuré, changez les paramètres sans fil de votre PC aux valeurs suivantes :

- Mode de communication :** Ad-hoc  
(canal 11)
- Nom du réseau (SSID) :** SETUP  
(respecter la casse)
- Cryptage :** Sans

**Pour les utilisateurs de Windows® 98/Me/2000, Windows NT® 4.0**

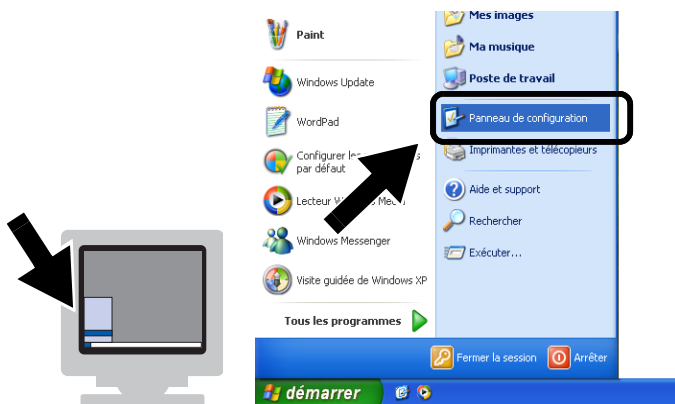
Veillez consulter les instructions du fabricant de la carte sans fil de votre PC pour changer les paramètres sans fil. Passez ensuite à l'*Etape 3 Configuration du serveur d'impression.*

Passez à l'étape 3

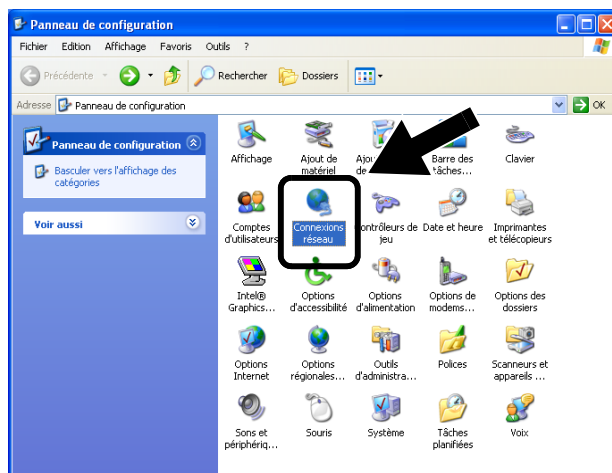
Si vous utilisez Windows® XP ou Mac OS® X 10.1 à 10.3 et que vous utilisez ses fonctions Wireless Ethernet intégrées, suivez les étapes suivantes pour le système d'exploitation approprié.

**Pour les utilisateurs de Windows® XP**

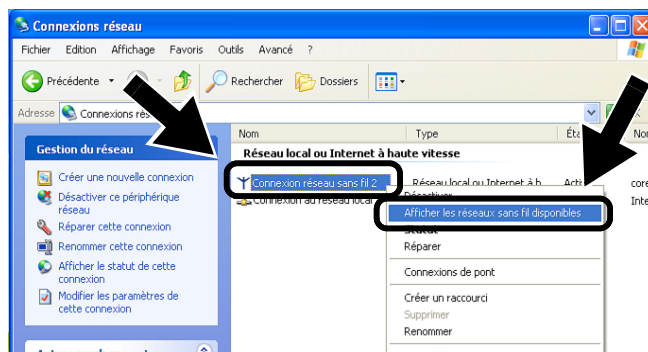
- 1** Cliquez sur **Démarrer** puis sur **Panneau de configuration**.



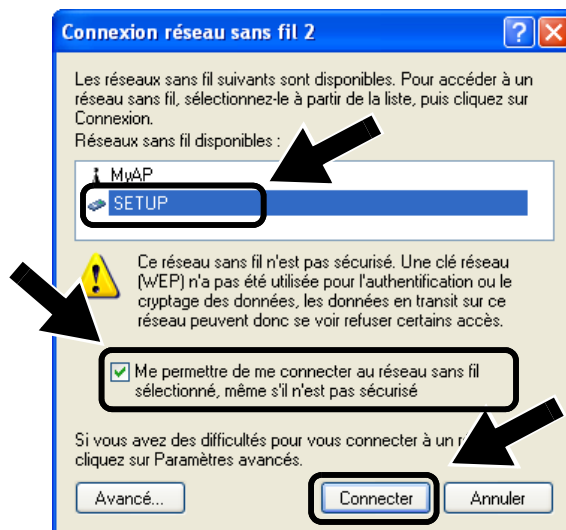
- 2** Cliquez sur l'icône **Connexions réseau**.



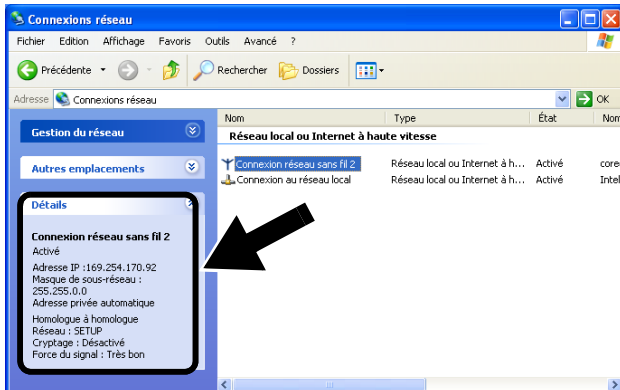
- 3** Sélectionnez et cliquez sur **Connexion réseau sans fil 2** à l'aide du bouton droit de la souris. Cliquez sur **Afficher les réseaux sans fil disponibles**.



- 4** Le serveur d'impression sans fil Brother est listé dans la boîte **Réseaux sans fil disponibles**. Sélectionnez **SETUP** et cochez la case **Me permettre de me connecter....** Cliquez sur le bouton **Connecter**.



- 5 Vérifiez l'état de la connexion du réseau sans fil. L'adresse IP peut prendre quelques minutes pour passer de 0.0.0.0 à 169.254.x.x à l'écran (où x.x sont des nombres compris entre 1 et 254).



*Si le serveur d'impression sans fil Brother souhaité n'est pas listé, suivez les étapes suivantes :*

- 1 Rapprochez votre imprimante équipée du serveur d'impression de votre PC ou réorientez le serveur d'impression et essayez à nouveau.
- 2 Réinitialisez le serveur d'impression à ses paramètres usine par défaut et réessayez. La rubrique Informations complémentaires de ce Guide d'installation rapide explique comment réinitialiser aux paramètres par défaut.
- 3 Consultez le chapitre 10 du Guide de l'utilisateur en réseau du NC-7100w qui figure sur le CD-ROM fourni avec le NC-7100w.

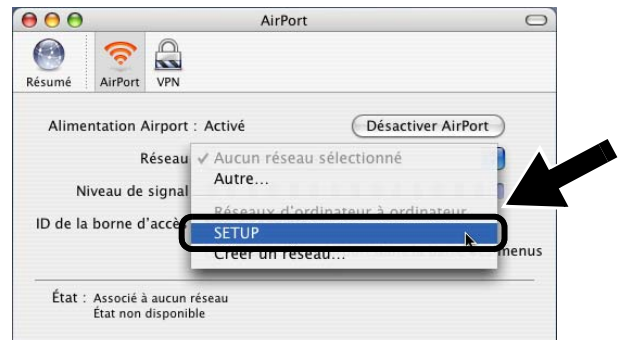
**Passez à l'étape 3**

## Pour les utilisateurs de Mac OS® X 10.1 à 10.3

- 1 Cliquez sur l'icône d'état AirPort et sélectionnez **Ouvrir Connexion à Internet**.



- 2 Cliquez sur l'onglet Réseau pour afficher les appareils sans fil disponibles. Le serveur d'impression sans fil Brother est listé dans l'option **Réseau**. Sélectionnez **SETUP**.



- 3 Votre réseau sans fil est connecté.





Si le serveur d'impression sans fil Brother souhaité n'est pas listé, suivez les étapes suivantes :

- 1 Rapprochez votre imprimante équipée du serveur d'impression de votre PC ou réorientez le serveur d'impression et essayez à nouveau.
- 2 Réinitialisez le serveur d'impression à ses paramètres usine par défaut et réessayez. La rubrique Informations complémentaires de ce Guide d'installation rapide explique comment réinitialiser aux paramètres par défaut.
- 3 Consultez le chapitre 10 du Guide de l'utilisateur en réseau du NC-7100w qui figure sur le CD-ROM fourni avec le NC-7100w.

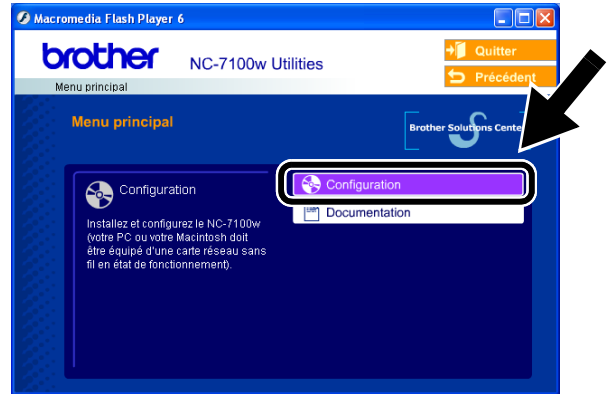
## Etape 3

### Configuration du serveur d'impression

- 1 Insérez le disque compact dans votre lecteur de CD-ROM.  
(Pour les utilisateurs de Windows®)  
L'écran d'accueil s'affiche automatiquement.  
(Pour les utilisateurs de Mac OS® X 10.1 à 10.3) Double-cliquez sur l'icône **NC7100w** de votre Macintosh® puis double-cliquez sur l'icône **Start Here**.
- 2 Sélectionnez votre langue.



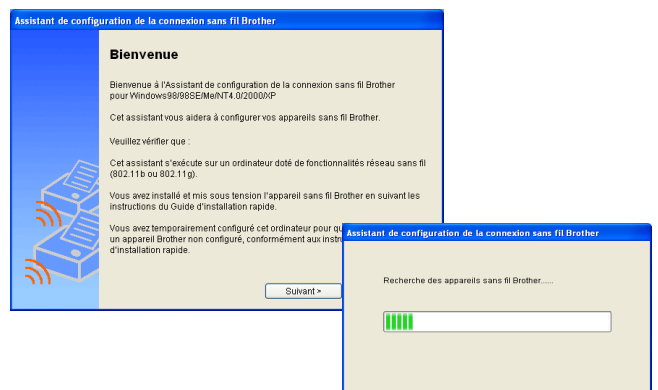
- 3 Cliquez sur **Configuration**.



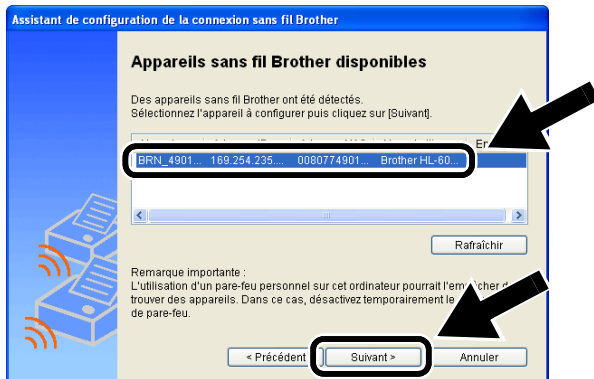
- 4 Cliquez sur **Assistant de configuration de la connexion sans fil**.



- 5 Lisez les informations de l'écran de **Bienvenue** et cliquez sur **Suivant** quand vous êtes sûr d'avoir accompli les tâches requises.



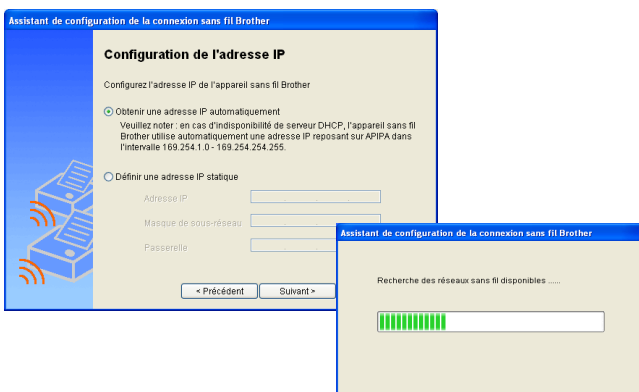
- 6 La recherche affiche une liste des appareils sans fil Brother détectés. Sélectionnez l'appareil à configurer puis cliquez sur **Suivant**.



- 7 Si votre réseau prend en charge DHCP, choisissez **Obtenir une adresse IP automatiquement** pour laisser le NC-7100w obtenir automatiquement une adresse IP de votre réseau.

Si vous souhaitez entrer manuellement les paramètres d'adresse IP du NC-7100w, choisissez **Définir une adresse IP statique** puis entrez les paramètres d'adresse IP requis pour votre réseau.

Quand vous avez effectué votre sélection, cliquez sur **Suivant** et l'Assistant commencera à chercher les réseaux sans fil disponibles.

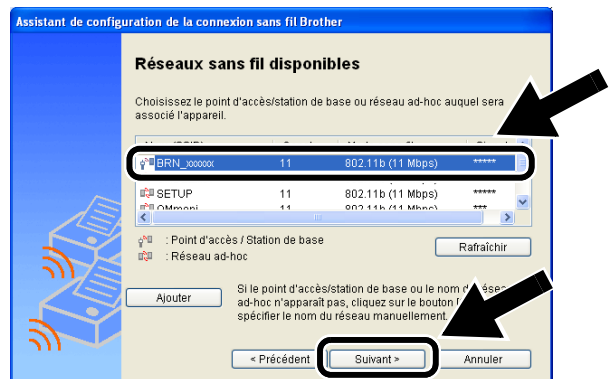


Le NC-7100w gère le protocole APIPA (Automatic Private IP Addressing). En cas d'indisponibilité de serveur DHCP, le NC-7100w utilise automatiquement une adresse IP comprise dans l'intervalle 169.254.1.0 - 169.254.254.255.



En cas de doute sur les paramètres d'adresse corrects, nous vous recommandons de contacter votre administrateur réseau.

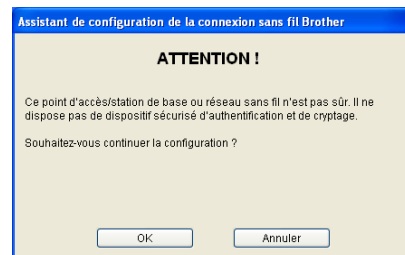
- 8 Une liste des réseaux sans fil détectés est affichée. Choisissez le point d'accès/station de base ou réseau ad-hoc auquel sera associé le NC-7100w puis cliquez sur **Suivant**.



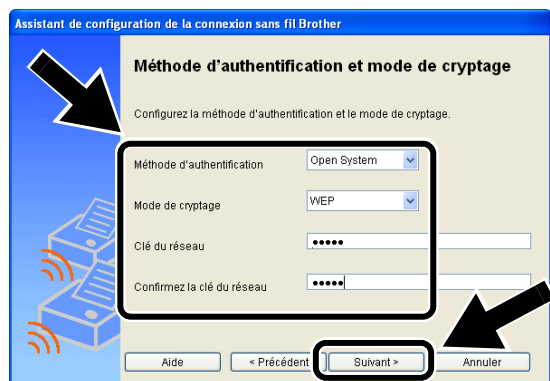
Si le point d'accès/station de base ou le nom du réseau ad-hoc n'apparaît pas dans la liste, vous pouvez l'ajouter manuellement en cliquant sur **Ajouter**. Suivez les instructions qui s'affichent à l'écran pour saisir le SSID et le numéro de canal.

- 9 Si votre réseau n'est pas configuré pour l'Authentification et le cryptage, l'écran suivant s'affiche. Pour continuer l'installation, cliquez sur **OK**.

Passez à l'**Etape 11**.



**10** Quand vous installez votre appareil sans fil Brother, vous devez vous assurer qu'il est configuré pour correspondre aux paramètres d'authentification et de cryptage de votre réseau sans fil existant. Si votre réseau est configuré pour l'authentification et le cryptage, choisissez la **Méthode d'authentification** et le **Mode de cryptage** dans les listes déroulantes de chaque option. Entrez ensuite la **Clé du réseau** et cliquez sur **Suivant**.



### Méthodes d'authentification :

L'authentification permet d'identifier les appareils sans fil qui essaient d'accéder au réseau.

#### Open System

Les appareils sans fil sont autorisés à accéder au réseau sans authentification.

#### Shared Key (mode Infrastructure uniquement)

Une clé secrète prédéterminée est partagée par tous les appareils qui accéderont au réseau sans fil.

### Méthodes de cryptage :

Le cryptage permet de sécuriser les données. La carte NC-7100w gère le cryptage WEP.

**Sans** Aucune méthode de cryptage n'est utilisée.

**WEP** Avec WEP (Wired Equivalent Privacy), les données sont transmises et reçues avec une clé sécurisée.

### Clé du réseau :

Règles pour chaque méthode de sécurité :

#### Open System / Shared Key avec WEP

Entrez la clé WEP qui sera utilisée pour accéder à votre réseau. Cette clé correspond à une valeur de 64 ou 128 bits qui doit être saisie sous un format ASCII ou HEXADÉCIMAL.

##### ■ 64 (40) bits ASCII

Utilise 5 caractères texte.  
par ex. "Hello" (fait une distinction entre les majuscules et les minuscules)

##### ■ 64 (40) bits Hexadécimal

Utilise des données hexadécimales de 10 chiffres.  
par ex. "71f2234aba"

##### ■ 128 (104) bits ASCII

Utilise 13 caractères texte.  
par ex. "Wirelesscomms" (fait une distinction entre les majuscules et les minuscules)

##### ■ 128 (104) bits Hexadécimal

**11** Cliquez sur **Suivant** pour envoyer les paramètres au NC-7100w.



- 12 Quand l'écran Configuration terminée s'affiche, cliquez sur **Suivant**.



- 13 A l'aide des informations notées à l'étape 2, rétablissez les paramètres sans fil de votre ordinateur à leurs valeurs d'origine. Cliquez sur **Quitter**.



Vous pouvez aussi configurer le NC-7100w à l'aide du panneau de commande de l'imprimante, de l'utilitaire BRAdmin ou d'un navigateur web. Voir l'Annexe B du Guide de l'utilisateur en réseau du NC-7100w pour obtenir des compléments d'information.

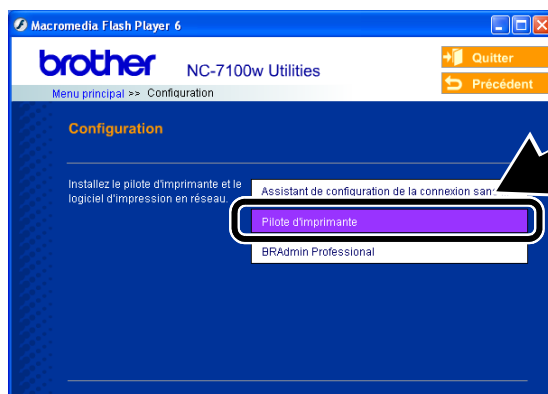
## Etape 4

### Installation du pilote d'imprimante et du logiciel d'impression en réseau

Vous devez installer le logiciel du pilote d'imprimante et de l'impression en réseau et le configurer pour la connexion réseau sans fil de l'imprimante. Veuillez suivre les étapes suivantes.

(Pour les utilisateurs de Mac OS® X 10.1 à 10.3)  
Si le pilote d'imprimante est déjà installé sur votre ordinateur, passez à l'étape 3.

- 1 Cliquez sur **Pilote d'imprimante**.



- 2 (Pour les utilisateurs de Windows®) Reportez-vous aux pages 19 à 23 du **Guide d'installation rapide de l'imprimante** pour les étapes restantes. (Pour les utilisateurs de Mac OS® X 10.1 à 10.3) Suivez les instructions qui s'affichent à l'écran.

**OK!** Pour les utilisateurs de Windows® :  
La configuration est terminée.

**Pour les utilisateurs de Mac OS® X 10.1 à 10.3**

- 3 Sélectionnez **Applications** dans le menu **Aller**. Ouvrez le dossier **Utilities** puis cliquez sur l'icône **Centre d'impression**.

#### 4 Cliquez sur **Ajouter**.



#### 5 Sélectionnez **Impression via IP**.



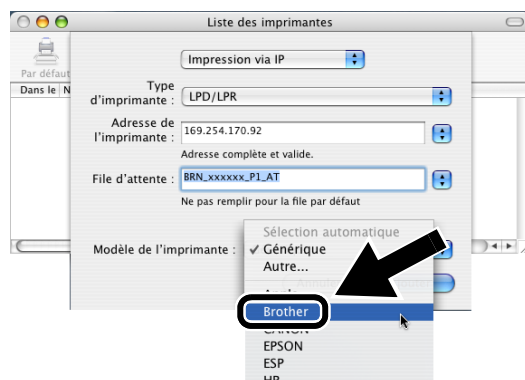
**Pour les utilisateurs de Mac® OS X 10.2.4 ou une version ultérieure :** Si vous souhaitez connecter votre imprimante à l'aide de la fonction de configuration simple du réseau de Apple® Mac OS® X, sélectionnez **Rendezvous** puis **HL-6050D\_DN series**. La configuration est alors terminée.

#### 6 Entrez l'adresse TCP/IP de l'imprimante dans le champ **Adresse de l'imprimante**. Si vous n'utilisez pas la file d'attente par défaut, entrez **BRN\_XXXXXX\_P1\_AT**.

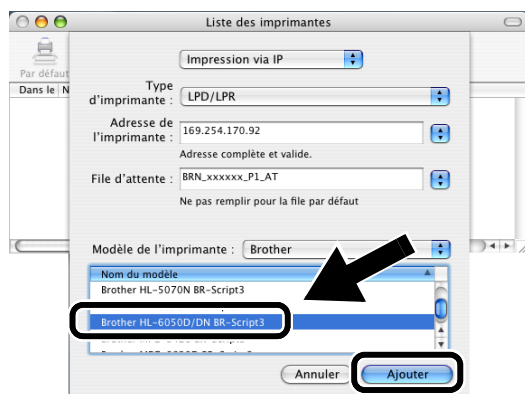


*xxxxxx correspond aux six derniers chiffres de l'adresse MAC. Vous trouverez l'adresse MAC en imprimant la page de configuration du réseau. La rubrique Informations complémentaires de ce Guide d'installation rapide explique comment imprimer la page de configuration du réseau.*

#### 7 Sélectionnez **Brother** dans la liste déroulante **Modèle de l'imprimante**.



#### 8 Sélectionnez **Brother HL-6050D/DN BR-Script3** puis cliquez sur **Ajouter**.



**OK! La configuration est alors terminée.**



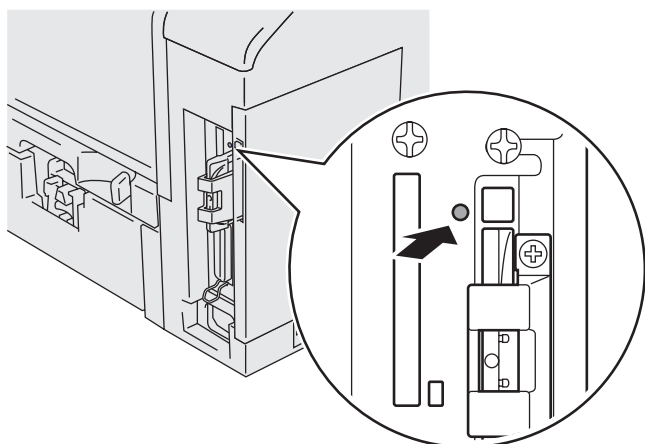
*Vous trouverez l'adresse TCP/IP en imprimant la page de configuration du réseau. La rubrique Informations complémentaires de ce Guide d'installation rapide explique comment imprimer la page de configuration du réseau.*



## Informations complémentaires

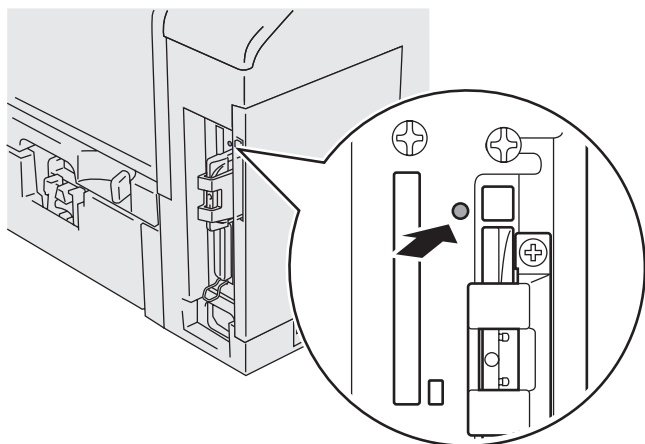
### Impression d'une page de configuration du réseau

Pour imprimer la page de configuration du réseau, servez-vous de la pointe d'un stylo pour maintenir le bouton Test Réseau de l'imprimante enfoncé pendant **moins** de 5 secondes.

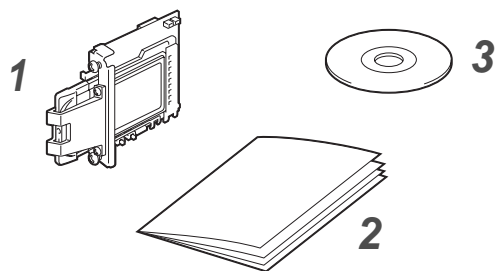


### Réinitialisation des paramètres à leur valeur par défaut

Si vous voulez ramener le serveur d'impression à ses paramètres d'usine (ce qui réinitialisera toutes les informations telles que le mot de passe et l'adresse IP), maintenez le bouton Test réseau enfoncé avec la pointe d'un stylo pendant **plus** de 5 secondes.

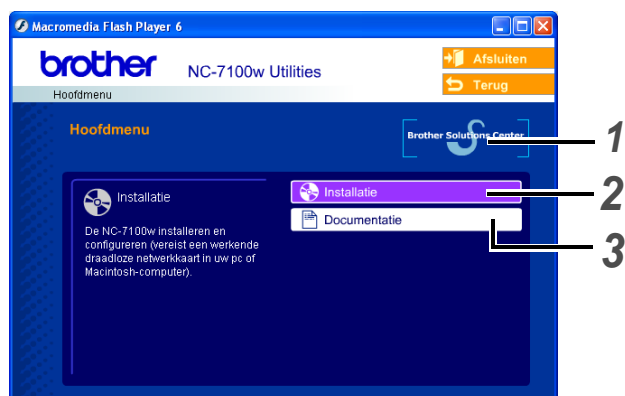


## Onderdelen in de doos



- 1 NC-7100w draadloze afdrukserver
- 2 Installatiehandleiding
- 3 CD-ROM (inclusief installatiesoftware en netwerkhandleiding voor de NC-7100w)

## Wat staat er op de cd-rom



- 1 **Brother Solutions Center**  
Op het Brother Solutions Center (<http://solutions.brother.com>) vindt u alle benodigde informatie over deze printer. Download de meest recente drivers en hulpprogramma's voor uw printers, lees de veelgestelde vragen en de tips voor het oplossen van problemen, of zoek speciale informatie op over het afdrukken met deze printers.
- 2 **Installatie**  
De Wireless Setup Wizard helpt u met de configuratie van de afdrukserver. Verder kunt u ook de printerdriver en BRAdmin Professional installeren.

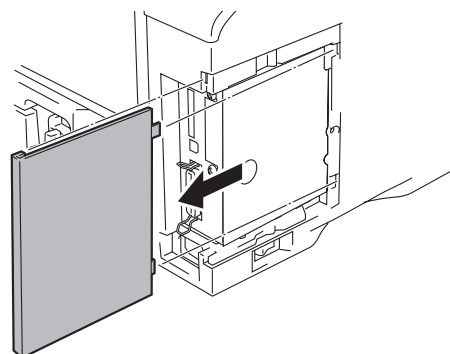
- 3 **Documentatie**  
De netwerkhandleiding en installatiehandleiding van de NC-7100w in PDF-formaat bekijken.

## De afdrukserver instellen

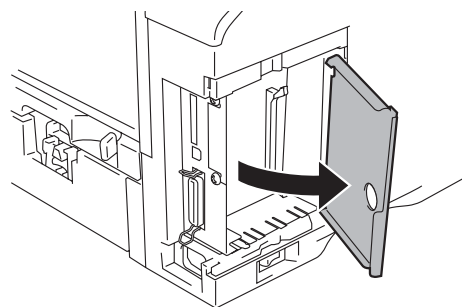
### Stap 1

## De afdrukserver installeren

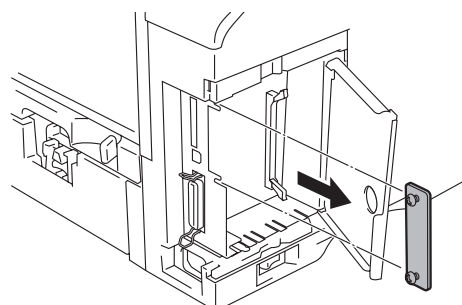
- 1 Zet de printer uit en haal vervolgens de stekker uit het stopcontact. Koppel de interfacekabel los van de printer.
- 2 Verschuif het hoekpaneeltje en verwijder dit.



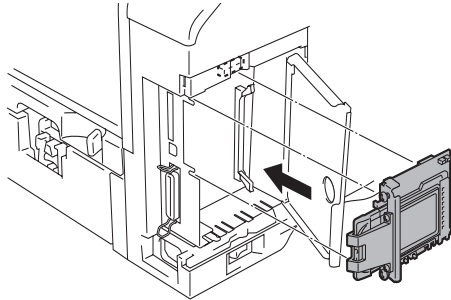
- 3 Maak de klep van de interface open.



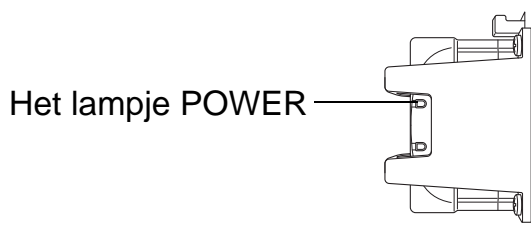
- 4 Draai de twee schroefjes los en verwijder de dekplaat voor de netwerkkaart.



- 5 Zet de twee schroefjes parallel met de groef in de printer, steek de connector van de NC-7100w-afdrukservers in de connector van de hoofdbesturingskaart en zet deze met de twee schroefjes vast.



- 6 Sluit de klep van de interface.  
 7 Zet het zijpaneel weer op zijn plaats.  
 8 Steek de stekker van de printer weer in het stopcontact en zet de stroomschakelaar aan.  
 9 Controleer dat het voedingslampje (POWER) van de afdrukservers brandt.



- 10 Druk een netwerkconfiguratiepagina af en controleer dat het IP-adres is ingesteld op 169.254.x.x (waar x.x een nummer tussen de 1 en 254 is). Als het IP-adres nog niet geïntialiseerd is, moet u 5 minuten wachten en de netwerkconfiguratiepagina nogmaals afdrukken.



*Raadpleeg Overige Informatie in deze installatiehandleiding voor nadere informatie over het afdrukken van de netwerkconfiguratiepagina.*

## Stap 2

### De draadloze instellingen van de computer wijzigen om de NC-7100w te configureren

U kunt de printer pas in een draadloos netwerk gebruiken nadat u de configuratie van NC-7100w draadloze afdrukservers hebt aangepast aan de configuratie van uw netwerk.

Als u de NC-7100w wilt configureren vanaf een draadloze computer op uw netwerk, dient u de huidige draadloze instellingen tijdelijk te wijzigen. Het is raadzaam de huidige draadloze instellingen van de computer in het hier afgebeelde schema te noteren alvorens u deze wijzigt. Aan het einde van stap 3 moet u deze instellingen namelijk weer activeren.



*Wij raden u aan uw netwerkbeheerder om advies te vragen als u hulp nodig hebt bij het wijzigen van de draadloze instellingen op uw computer.*

### Huidige draadloze netwerkinstellingen van uw computer

Item	Huidige instelling
Communicatiemodus: (Infrastructuur / Ad-hoc)	
Netwerknnaam (SSID)	
Kanaal: (1-14)	
Versleuteling: (GEEN/ WEP / Anders)	
Sleutelgrootte en type versleuteling: (64 bits, 128 bits / ASCII, HEX / Anders)	
Sleutel:	

Om te kunnen communiceren met de niet-geconfigureerde NC-7100w, dient u de draadloze instellingen op uw pc als volgt te wijzigen:

**Communicatiemodus:** Ad-hoc  
(kanaal 11)

**Netwerknnaam (SSID):** SETUP  
(er wordt onderscheid gemaakt tussen kleine letters en hoofdletters)

**Versleuteling:** Geen

### Bij gebruik van Windows® 98/Me/2000, Windows NT® 4.0

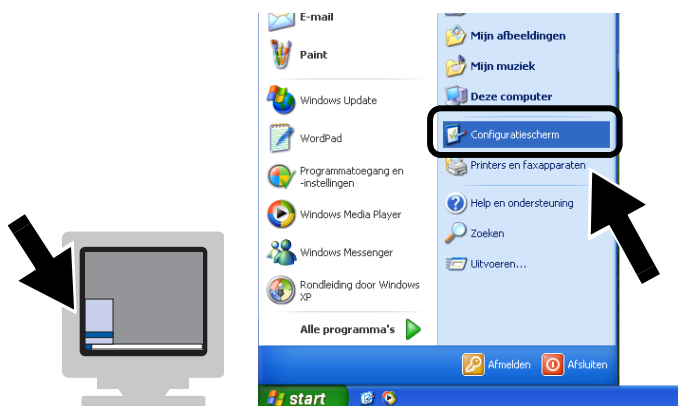
Raadpleeg de instructies van de fabrikant van uw draadloze kaart om te zien hoe u de draadloze instellingen kunt wijzigen. Ga vervolgens door naar *Stap 3 De afdrukserver configureren*.

Ga door naar **Stap 3**

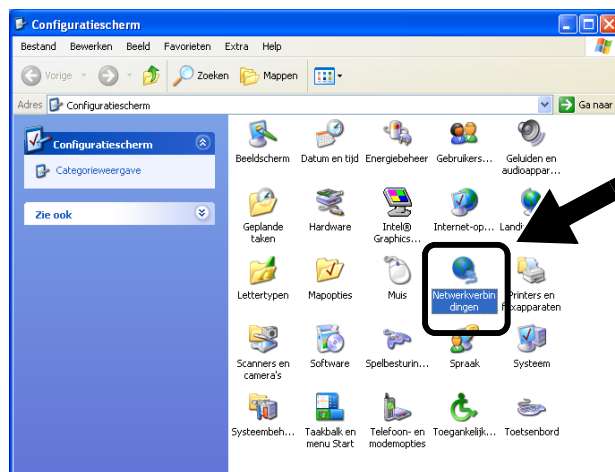
Als u Windows® XP of Mac OS® X 10.1 t/m 10.3 gebruikt en u de ingebouwde draadloze Ethernetfuncties gebruikt, dient u de volgende stappen voor uw besturingssysteem te volgen.

### Bij gebruik van Windows® XP

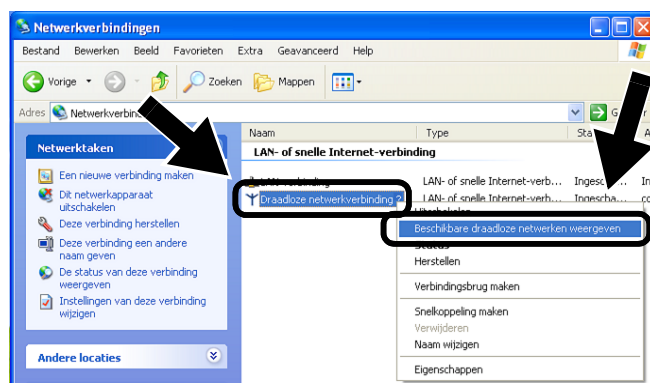
- 1 Klik op **Start** en vervolgens op **Configuratiescherm**.



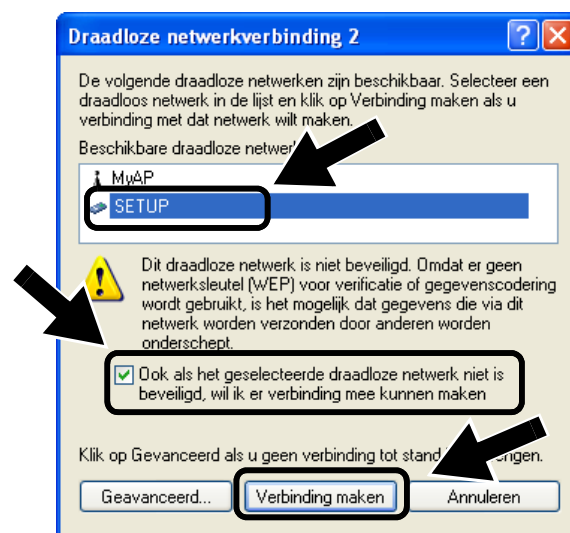
- 2 Klik op het pictogram **Netwerkverbindingen**.



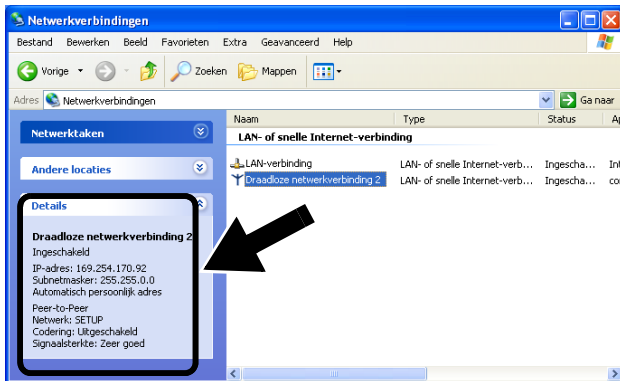
- 3 Selecteer **Draadloze netwerkverbinding** en klik met de rechtermuisknop op deze optie. Klik op **Beschikbare draadloze netwerken weergeven**.



- 4 U ziet de draadloze afdrukserver van Brother in het vak **Beschikbare draadloze netwerken**. Selecteer **SETUP** en selecteer het vakje **Ook als het geselecteerde draadloze netwerk...** Klik op **Verbinding maken**.



- 5 Controleer de status van de draadloze netwerkverbinding. Het kan een paar minuten duren voordat op uw scherm wordt weergegeven dat het IP-adres is veranderd van 0.0.0.0 in 169.254.x.x (waar x.x een nummer tussen de 1 en 254 is).



Als de gewenste draadloze afdrukserv van Brother niet wordt weergegeven, volgt u de onderstaande stappen:

- 1 Zet de printer met de draadloze afdrukserv dichter bij de pc of plaats de afdrukserv ergens anders, en probeer het opnieuw.
- 2 Stel de afdrukserv terug op de fabrieksinstellingen en probeer het opnieuw. Raadpleeg Overige Informatie in deze installatiehandleiding voor nadere informatie over het terugstellen van de fabrieksinstellingen.
- 3 Raadpleeg hoofdstuk 10 in de netwerkhandleiding van de NC-7100w op de meegeleverde cd-rom.

Ga door naar Stap 3

## Bij gebruik van Mac OS® X 10.1 t/m 10.3

- 1 Klik op het statuspictogram AirPort en selecteer **Open Internetverbinding...**



- 2 Klik op het tabblad **Netwerk** om de draadloze apparaten weer te geven. U ziet de draadloze afdrukserv van Brother in het vak **Netwerk**. Selecteer **SETUP**.



- 3 Uw draadloze netwerk is nu verbonden.





Als de gewenste draadloze afdrukserver van Brother niet wordt weergegeven, volgt u de onderstaande stappen:

- 1 Zet de printer met de draadloze afdrukserver dichterbij de pc of plaats de afdrukserver ergens anders, en probeer het opnieuw.
- 2 Stel de afdrukserver terug op de fabrieksinstellingen en probeer het opnieuw. Raadpleeg Overige Informatie in deze installatiehandleiding voor nadere informatie over het terugstellen van de fabrieksinstellingen.
- 3 Raadpleeg hoofdstuk 10 in de netwerkhandleiding van de NC-7100w op de meegeleverde cd-rom.

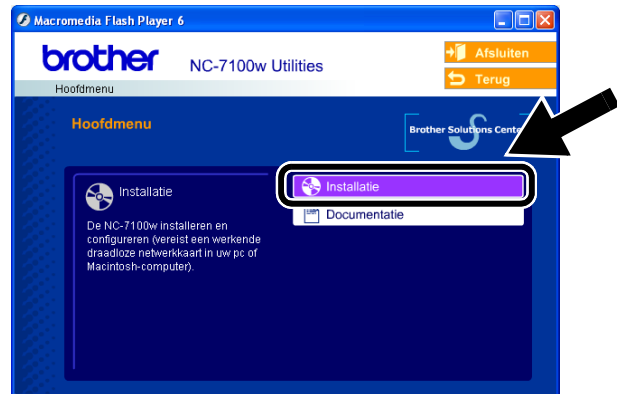
## Stap 3

### De afdrukserver configureren

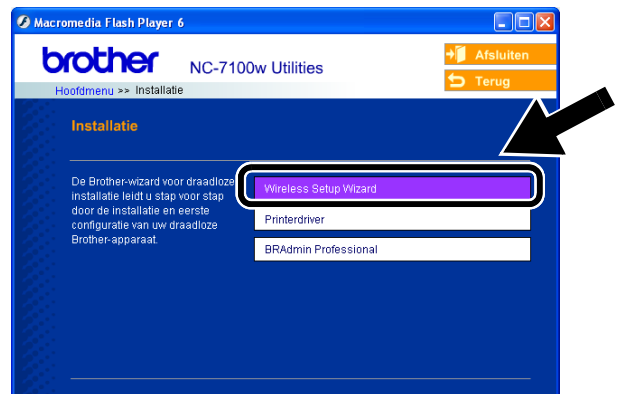
- 1 Plaats de cd-rom in uw cd-rom-station. (Bij gebruik van Windows®) Het eerste scherm wordt automatisch geopend. (Bij gebruik van Mac OS® X 10.1 t/m 10.3) Dubbelklik op het pictogram **NC7100w** op uw Macintosh®, en dubbelklik op het pictogram **Start Here**.
- 2 Selecteer uw taal.



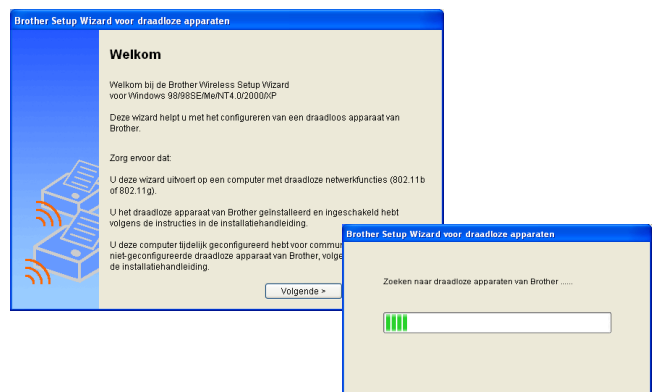
- 3 Klik op **Installatie**.



- 4 Klik op **Wireless Setup Wizard**.



- 5 Lees de **verwelkoming** en klik als u zeker weet dat u alle benodigde handelingen hebt uitgevoerd op **Volgende**.



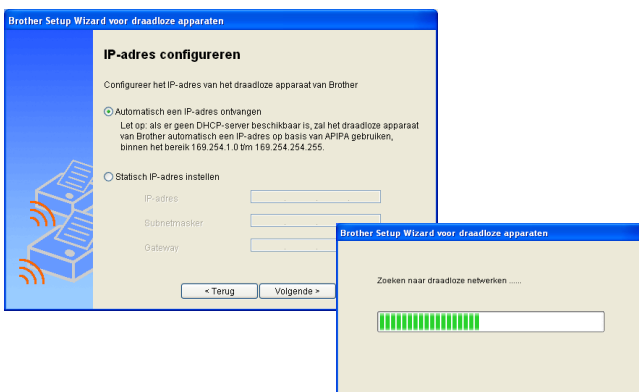
- 6 Er wordt een lijst van gevonden draadloze apparaten van Brother weergegeven. Selecteer het apparaat dat u wilt configureren en klik op **Volgende**.



- 7 Als uw netwerk DHCP ondersteunt, kiest u **Automatisch een IP-adres ontvangen** zodat de NC-7100w automatisch IP-adresgegevens van uw netwerk verkrijgt.

Als u de IP-adresinstellingen van de NC-7100w handmatig wilt invoeren, kiest u **Statisch IP-adres instellen** instellen en voert u de benodigde IP-adresgegevens van uw netwerk in.

Nadat u de instellingen geselecteerd hebt, klikt u op **Volgende**. De wizard zal nu naar beschikbare draadloze netwerken zoeken.



De NC-7100w ondersteunt het APIPA-protocol (Automatic Private IP Addressing). Als er geen DHCP-server beschikbaar is, zal de NC-7100w automatisch een IP-adres binnen het bereik 169.254.1.0 t/m 169.254.254.255 toewijzen.



Wij raden u aan uw netwerkbeheerder om advies te vragen als u niet zeker weet wat de juiste IP-adresinstellingen zijn.

- 8 Er wordt een lijst van gevonden draadloze netwerken weergegeven. Selecteer de Toegangspoort/Basisstation of Ad-hoc netwerk waarmee de NC-7100w verbinding moet maken, en klik op **Volgende**.



Als er geen toegangspoort/basisstation of Ad-hoc netwerk wordt weergegeven, klikt u op **Toevoegen** om deze handmatig in te voeren. Voer de SSID en het kanaalnummer in volgens de instructies op het scherm.

- 9 Als uw netwerk niet is geconfigureerd voor authenticatie en versleuteling, wordt het afgebeelde scherm weergegeven. Klik op **OK** om de installatie voort te zetten.

Ga door naar **stap 11**.



- 10 Let er bij het configureren van het draadloze apparaat van Brother op, dat de configuratie overeenkomt met de instellingen van authenticatie en versleuteling die op uw draadloze netwerk gebruikt worden. Als uw netwerk is geconfigureerd voor authenticatie en versleuteling, kiest u de gewenste **Authenticatiemethode** en **Versleutelingsmodus** in de keuzelijst. Toets vervolgens de **Netwerksleutel** in en klik op **Volgende**.



### Authenticatiemethoden:

Authenticatie wordt gebruikt voor het identificeren van elk draadloos apparaat dat probeert toegang te krijgen tot het netwerk.

#### Open systeem

Draadloze apparaten worden zonder enige authenticatie op het netwerk toegelaten.

#### Gedeelde sleutel (alleen in infrastructuurmodus)

Alle apparaten die toegang tot het netwerk wensen, delen een geheime, vooraf gedefinieerde sleutel.

### Versleutelingsmethoden:

Versleuteling wordt gebruikt om de gegevens zelf te beveiligen. De NC-7100w ondersteunt WEP-versleuteling.

**Geen** Er wordt geen versleuteling gebruikt.

**WEP** Met WEP (Wired Equivalent Privacy) worden de gegevens met een beveiligde sleutel verzonden en ontvangen.

### Netwerksleutel:

Voor elke beveiligingsmethode bestaan diverse regels:

#### Open systeem/Gedeelde sleutel met WEP

Toets de WEP-sleutel in waarmee toegang tot het netwerk wordt verkregen. Deze sleutel is een 64-bits of 128-bits waarde die moet worden ingevoerd in een ASCII-formaat of een HEXADECIMAAL formaat.

#### ■ 64 (40) bits ASCII

Gebruikt 5 letters.

Bijv. "Hallo" (er wordt onderscheid gemaakt tussen hoofdletters en kleine letters)

#### ■ 64 (40) bits Hexadecimaal

Gebruikt 10 hexadecimale tekens.

Bijv. "71f2234aba"

#### ■ 128 (104) bits ASCII

Gebruikt 13 letters.

Bijv. "Wirelesscomms" (er wordt onderscheid gemaakt tussen hoofdletters en kleine letters)

- 11 Klik op **Volgende** om de instellingen bij de NC-7100w in te dienen.





- 12 Wanneer het scherm Setup is voltooid wordt weergegeven, klikt u op **Volgende**.



- 13 Gebruik de informatie die u in stap 2 genoteerd hebt om de oorspronkelijke draadloze instellingen van uw computer te herstellen. Klik op **Afsluiten**.



U kunt de NC-7100w ook configureren via het bedieningspaneel van de printer, of met BRAdmin of een webbrowser. Raadpleeg Appendix B van de netwerkhandleiding van de NC-7100w voor nadere informatie hierover.

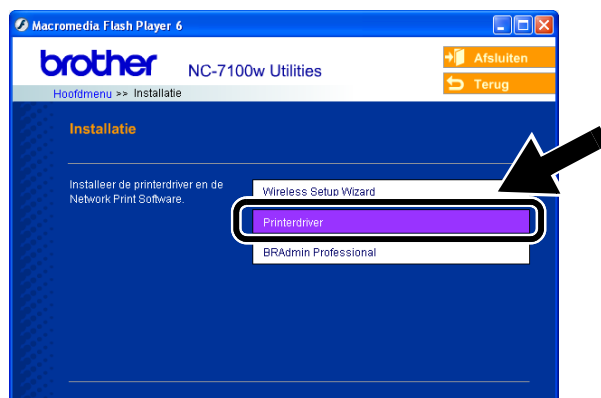
## Stap 4

### De printerdriver en Network Print Software installeren

U moet de printerdriver en de Network Print Software installeren, en deze configureren voor de draadloze netwerkaansluiting van de printer. Volg de onderstaande stappen.

(Bij gebruik van Mac OS® X 10.1 t/m 10.3) Als de printerdriver reeds op de computer geïnstalleerd is, gaat u door naar stap 3.

- 1 Klik op **Printerdriver**.



- 2 (Bij gebruik van Windows®) Raadpleeg P19 t/m P23 van de **installatiehandleiding van de printer** voor de rest van de stappen. (Bij gebruik van Mac OS® X 10.1 t/m 10.3) Volg de instructies op het scherm.

**OK!** Bij gebruik van Windows®:  
De installatie is nu voltooid.

**Bij gebruik van  
Mac OS® X 10.1 t/m 10.3**

- 3 Selecteer **Programma's** in het menu **Ga**. Open de map **Utilities** en vervolgens het pictogram met het **Print Center**.

4 Klik op **Voeg toe**.



5 Selecteer **Afdrukken via IP**.



**Bij gebruik van Mac® OS X 10.2.4 of recenter:**

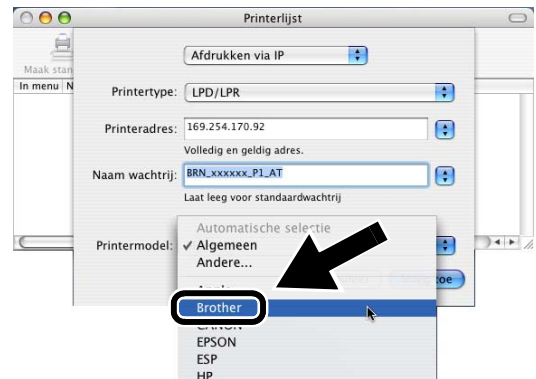
Als u uw printer wilt aansluiten met de eenvoudige netwerkconfiguratie van Apple® Mac OS® X, moet u Rendezvous en dan de **HL-6050D\_DN series** selecteren. De installatie is nu voltooid.

6 Typ het TCP/IP-adres van de printer in het vak met het **Printeradres**. Als u niet de standaard wachtrij gebruikt, typt u BRN\_XXXXXX\_P1\_AT.

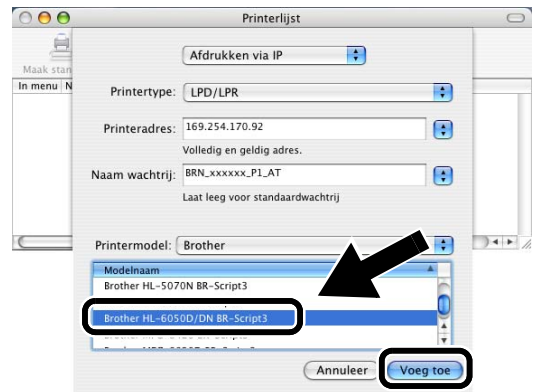


(xxxxxx zijn de laatste zes cijfers van het MAC-adres. U kunt het MAC-adres vinden door de netwerkconfiguratiepagina af te drukken. Raadpleeg Overige Informatie in deze installatiehandleiding voor nadere informatie over het afdrukken van de netwerkconfiguratiepagina.

7 Selecteer bij **Printermodel** de optie **Brother**.



8 Selecteer **HL-6050D/DN BR-Script3** en klik op **Voeg toe**.



**OK!** De installatie is nu voltooid.

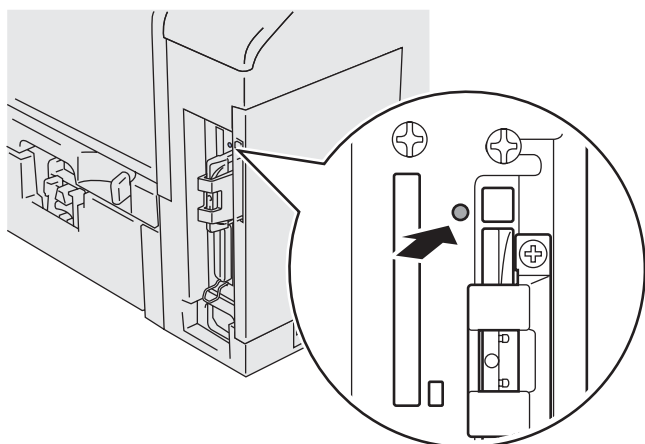


U kunt het TCP/IP-adres vinden door de netwerkconfiguratiepagina af te drukken. Raadpleeg Overige Informatie in deze installatiehandleiding voor nadere informatie over het afdrukken van de netwerkconfiguratiepagina.

## Overige informatie

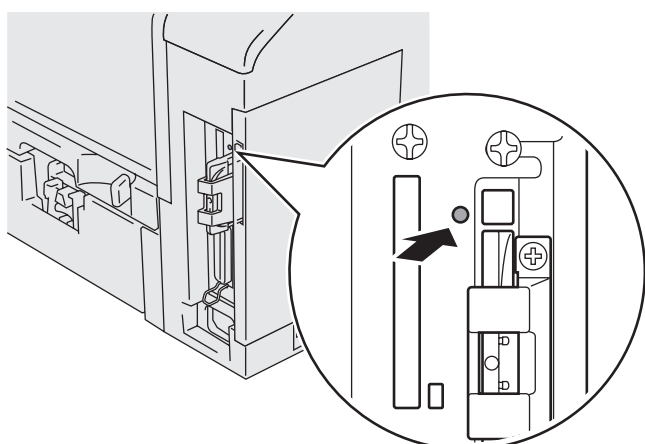
### Een netwerkconfiguratiepagina afdrukken

Als u de netwerkconfiguratiepagina wilt afdrukken, moet u de netwerktesttoets van de printer met een fijne balpen **minder** dan 5 seconden ingedrukt houden.

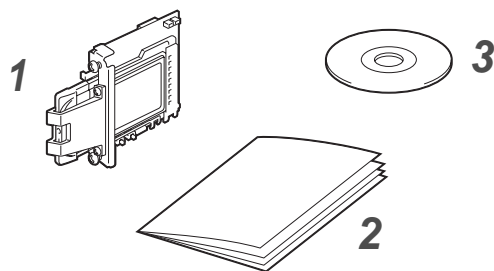


### De fabrieksinstellingen herstellen

Als u de afdrukserver op de standaardinstellingen wilt terugstellen (alle informatie terugstellen, zoals wachtwoord en IP-adres), moet u de netwerktesttoets met een fijne balpen **ten minste** 5 seconden ingedrukt houden.

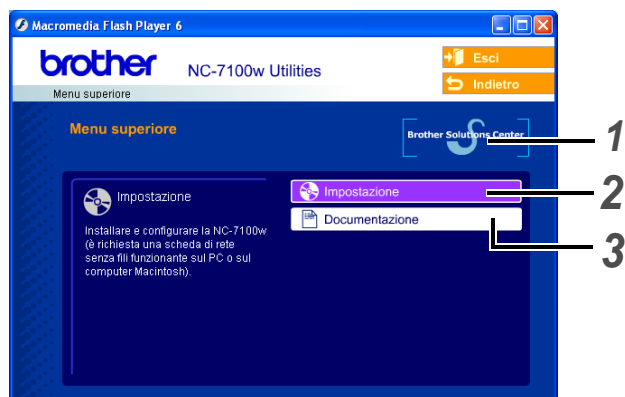


## Contenuto della confezione



- 1 Specifiche del server di stampa senza fili NC-7100w
- 2 Guida di installazione rapida
- 3 CD-ROM (include software di installazione e la Guida dell'utente abilitato alla connessione di rete dell'NC-7100w)

## Contenuto del CD-ROM



- 1 Brother Solutions Center**  
Per qualsiasi necessità relativa alla stampante, visitare il sito Web Brother Solutions Center all'indirizzo <http://solutions.brother.com>. Consente di scaricare le utilità e i driver più aggiornati per le stampanti, leggere le domande frequenti e i suggerimenti relativi alla risoluzione dei problemi oppure acquisire informazioni sulle soluzioni di stampa possibili.
- 2 Impostazione**  
È possibile visualizzare l'Impostazione guidata senza fili che assiste l'utente nella configurazione del server di stampa. È anche possibile installare il driver della stampante e l'utilità BRAdmin Professional.

### 3 Documentazione

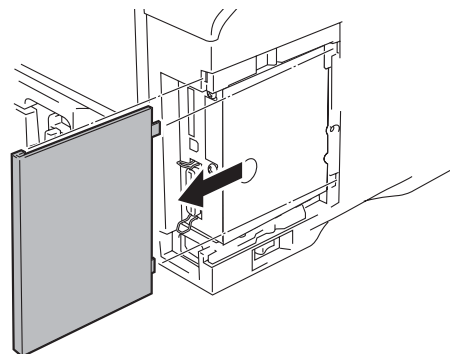
Consente di visualizzare la Guida dell'utente abilitato alla connessione di rete dell'NC-7100w e la Guida di installazione rapida in formato PDF.

## Impostazione del server di stampa

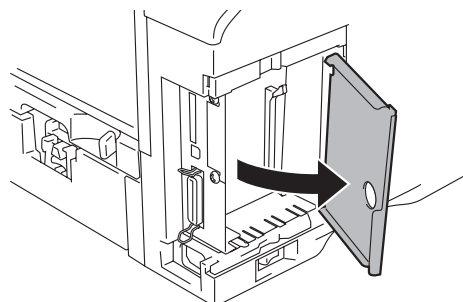
### Passaggio 1

#### Installazione del server di stampa

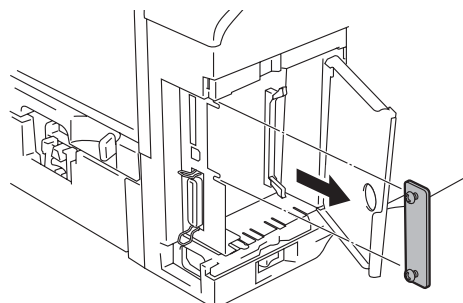
- 1 Spegnerne la stampante e scollegare il cavo di alimentazione della stampante, se inserito. Scollegare il cavo di interfaccia dalla stampante.
- 2 Fare scorrere e rimuovere il coperchio laterale della stampante.



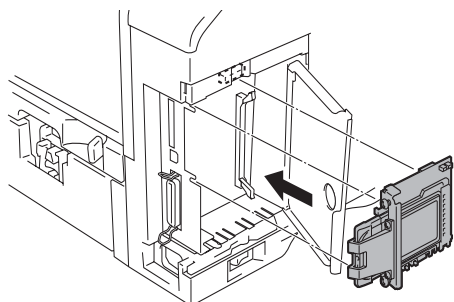
- 3 Aprire il coperchio di accesso all'interfaccia.



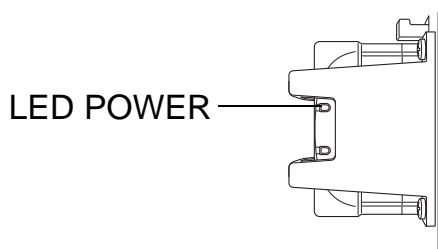
- 4 Allentare le due viti, quindi rimuovere la piastra di copertura per la rete.



- 5** Inserire il connettore del server di stampa NC-7100w nel connettore della scheda del controller principale, allineare le due viti alla scanalatura della stampante e fissarlo serrando le due viti.



- 6** Chiudere il coperchio di accesso all'interfaccia.  
**7** Riporre il coperchio laterale.  
**8** Ricollegare il cavo di alimentazione e accendere la stampante.  
**9** Accertarsi che il LED POWER del server di stampa sia acceso.



- 10** Stampare una pagina di configurazione della rete e accertarsi che l'indirizzo IP sia impostato su 169.254.x.x (dove x.x sono numeri compresi tra 1 e 254). Se l'indirizzo IP non è ancora stato inizializzato, attendere altri 5 minuti, quindi stampare un'altra pagina di configurazione della rete.



*Per informazioni sulla stampa della pagina di configurazione della rete, vedere Altre informazioni in questa Guida di installazione rapida.*

## Passaggio 2

### Modifica delle impostazioni senza fili del computer per configurare il server NC-7100w

Prima di poter utilizzare la stampante in una rete senza fili, è necessario configurare il server di stampa senza fili NC-7100w in modo che corrisponda alla configurazione della rete.

Per configurare il server NC-7100w da un computer senza fili sulla rete, è necessario modificare temporaneamente le impostazioni senza fili correnti. Prima di modificare le impostazioni senza fili correnti del PC, annotare le impostazioni correnti della rete senza fili nella colonna destra della tabella seguente. Sarà necessario ripristinare tali impostazioni alla fine del passaggio 3.



*È consigliabile contattare l'amministratore di rete se occorre assistenza relativa alle impostazioni senza fili dei computer.*

#### Impostazioni correnti della rete senza fili del computer

Voce	Impostazione corrente
Modalità di comunicazione: (Infrastruttura / Ad-hoc)	
Nome rete (SSID)	
Canale: (1-14)	
Crittografia: (NESSUNA/WEP/Altro)	
Dimensione e tipo chiave di crittografia: (64 bit, 128 bit / ASCII, HEX / Altro)	
Chiave di crittografia:	

Per comunicare con il server NC-7100w non configurato modificare le impostazioni senza fili del PC come segue:

**Modalità di comunicazione: Ad-hoc**  
(canale 11)  
**Nome rete (SSID): SETUP**  
(distinzione maiuscole/minuscole)  
**Crittografia: Nessuna**

**Per gli utenti di Windows®  
98/Me/2000 e Windows NT® 4.0**

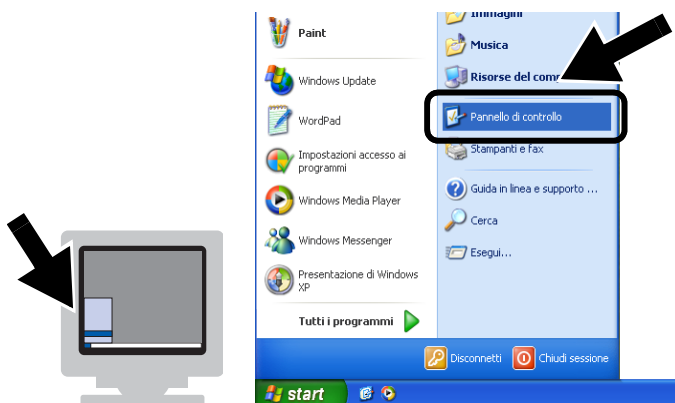
Fare riferimento alle istruzioni del produttore della scheda senza fili per la modifica delle impostazioni senza fili. Passare quindi al *Passaggio 3 Configurazione del server di stampa*.

**Andare al passaggio 3**

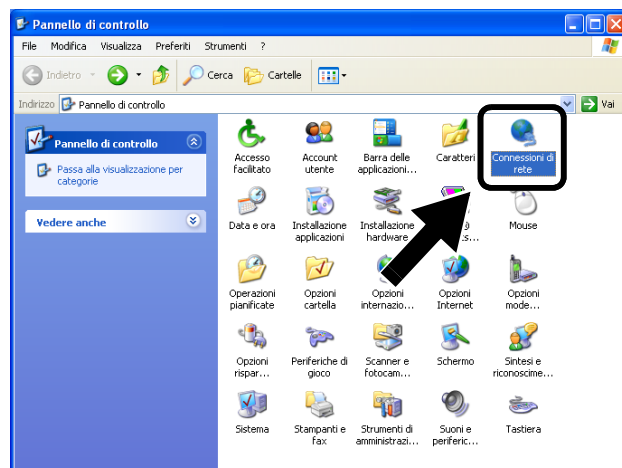
**Se si utilizza Windows® XP o Mac OS® X 10.1 - 10.3 e le funzionalità Wireless Ethernet incorporate, procedere come segue per ciascun sistema operativo.**

**Per gli utenti di Windows® XP**

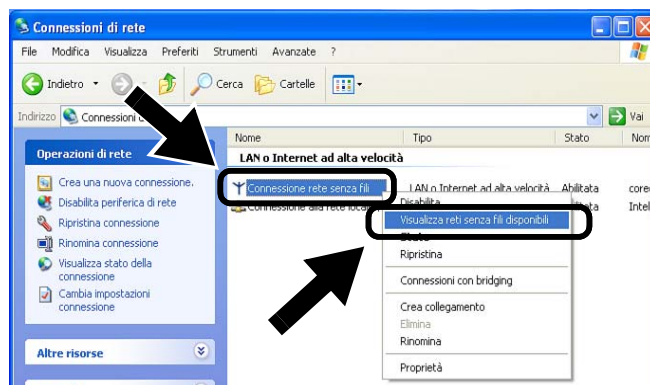
**1** Fare clic su **Start** e su **Pannello di controllo**.



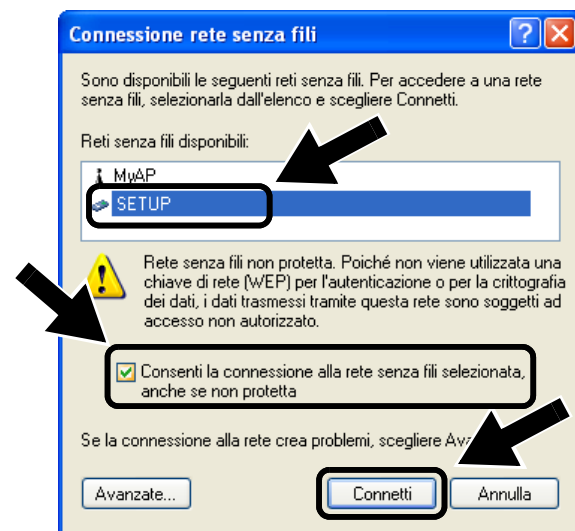
**2** Fare clic sull'icona **Connessioni di rete**.



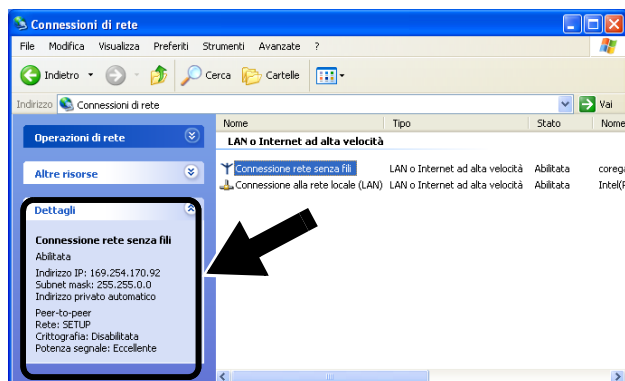
**3** Selezionare e fare clic con il pulsante destro del mouse su **Connessione rete senza fili**. Fare clic su **Visualizza reti senza fili disponibili**.



**4** Il server di stampa senza fili Brother viene visualizzato nella casella **Reti senza fili disponibili**. Selezionare **SETUP** e selezionare la casella di controllo **Consenti la connessione...**. Fare clic sul pulsante **Connetti**.



- 5 Verificare lo stato della connessione della rete senza fili. La visualizzazione sullo schermo della modifica dell'indirizzo IP da 0.0.0.0 a 169.254.x.x (dove x.x sono numeri compresi tra 1 e 254) può richiedere alcuni minuti.



*Se il server di stampa senza fili Brother che si desidera scegliere non è elencato, procedere come segue:*

- 1 Spostare la stampante con il server di stampa senza fili installato più vicino al PC o riorientare il server di stampa e riprovare.
- 2 Ripristinare le impostazioni di fabbrica predefinite per il server di stampa e riprovare. Per informazioni sul ripristino delle impostazioni di fabbrica predefinite, vedere *Altre informazioni in questa Guida di installazione rapida*.
- 3 Vedere il Capitolo 10 della Guida dell'utente abilitato alla connessione di rete dell'NC-7100w sul CD-ROM fornito con il server NC-7100w.

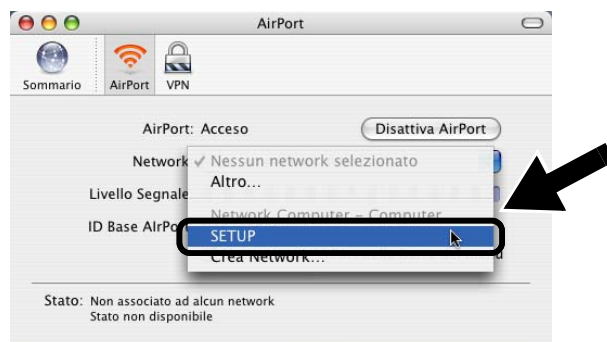
**Andare al passaggio 3**

## Per gli utenti di Mac OS® X 10.1 - 10.3

- 1 Fare clic sull'icona di stato AirPort e selezionare **Apri Connessione Internet**.



- 2 Fare clic sulla scheda Network per visualizzare le periferiche senza fili disponibili. Il server di stampa senza fili Brother viene visualizzato nel menu **Network**. Selezionare **SETUP**.



- 3 La connessione della rete senza fili è completa.





Se il server di stampa senza fili Brother che si desidera scegliere non è elencato, procedere come segue:

- 1 Spostare la stampante con il server di stampa senza fili installato più vicino al PC o riorientare il server di stampa e riprovare.
- 2 Ripristinare le impostazioni di fabbrica predefinite per il server di stampa e riprovare. Per informazioni sul ripristino delle impostazioni di fabbrica predefinite, vedere Altre informazioni in questa Guida di installazione rapida.
- 3 Vedere il Capitolo 10 della Guida dell'utente abilitato alla connessione di rete dell'NC-7100w sul CD-ROM fornito con il server NC-7100w.

## Passaggio 3

### Configurazione del server di stampa

- 1 Inserire il CD-ROM nell'apposita unità. Per gli utenti di Windows®: viene automaticamente visualizzata la schermata di apertura. Per gli utenti di Mac OS® X 10.1 - 10.3: fare doppio clic sull'icona **NC7100w** su Macintosh®, quindi sull'icona **Start Here**.
- 2 Selezionare la lingua.



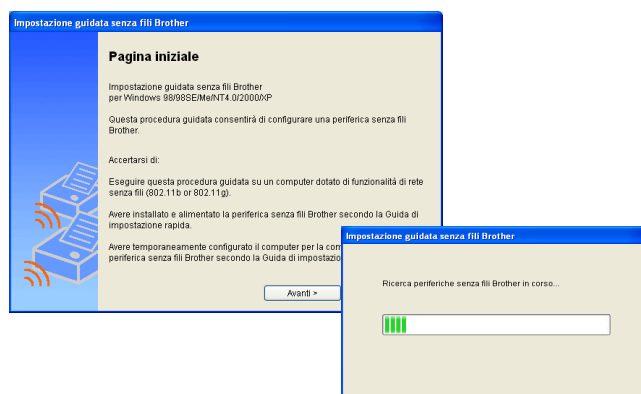
- 3 Fare clic su **Impostazione**.



- 4 Fare clic su **Impostazione guidata senza fili**.



- 5 Rivedere le informazioni nella **Pagina iniziale** e dopo avere completato le attività necessarie, fare clic su **Avanti**.





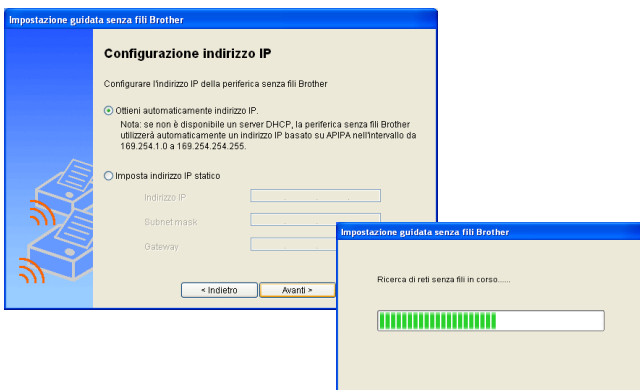
- 6 Viene visualizzato un elenco delle Periferiche senza fili Brother trovate. Selezionare la periferica da configurare e fare clic su **Avanti**.



- 7 Se la rete supporta DHCP, scegliere **Otteni automaticamente indirizzo IP** affinché il server NC-7100w ottenga automaticamente informazioni sull'indirizzo IP dalla rete.

Per immettere manualmente le impostazioni dell'indirizzo IP del server NC-7100w, scegliere **Imposta indirizzo IP statico** e immettere le impostazioni necessarie dell'indirizzo IP per la rete.

Dopo la selezione, fare clic su **Avanti** affinché l'Impostazione guidata cerchi le reti senza fili disponibili.

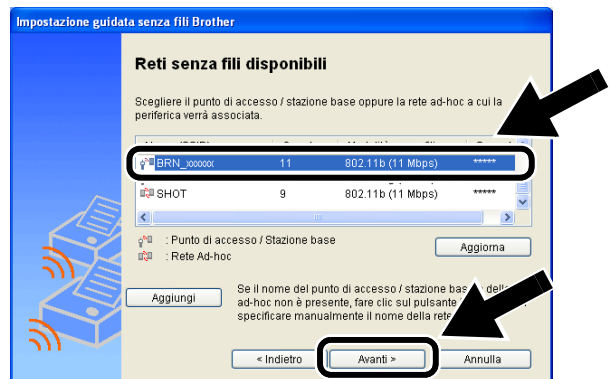


*Il server NC-7100w supporta il protocollo APIPA (Automatic Private IP Addressing). Se un server DHCP non è disponibile, il server NC-7100w assegna automaticamente un indirizzo IP incluso nell'intervallo 169.254.1.0 - 169.254.254.255.*



*È consigliabile contattare l'amministratore di rete se non si conoscono con certezza le impostazioni corrette dell'indirizzo IP.*

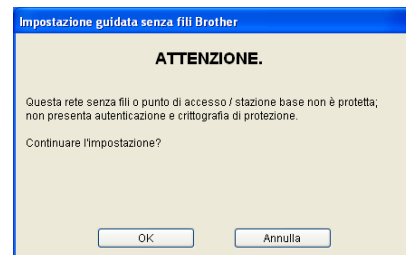
- 8 Viene visualizzato un elenco delle reti senza fili trovate. Selezionare Punto di accesso/Stazione base o Rete Ad-hoc per l'associazione al server NC-7100w e fare clic su **Avanti**.



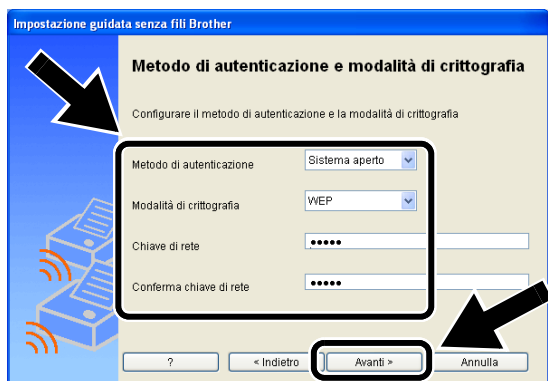
*Se la rete Punto di accesso/Stazione base o Rete Ad-hoc non è presente nell'elenco, aggiungerla manualmente facendo clic su **Aggiungi**. Seguire le istruzioni sullo schermo per immettere SSID e numero di canale.*

- 9 Se la rete non è configurata per Autenticazione e Crittografia, viene visualizzata la schermata illustrata. Per continuare l'installazione, fare clic su **OK**.

Andare al **punto 11**.



- 10** Nella configurazione della periferica senza fili Brother, è necessario accertarsi che sia configurata in base alle impostazioni di autenticazione e crittografia della rete senza fili esistente. Se la rete è configurata per l'autenticazione e la crittografia, scegliere **Metodo di autenticazione e Modalità di crittografia** dai menu a discesa in ciascuna casella di impostazione. Immettere quindi la **Chiave di rete** e fare clic su **Avanti**.



### Metodi di autenticazione:

L'autenticazione viene utilizzata per identificare ogni periferica senza fili che tenta di accedere alla rete.

#### Sistema aperto

Le periferiche senza fili sono autorizzate ad accedere alla rete senza alcuna autenticazione.

#### Chiave condivisa

(solo in modalità infrastruttura)  
Una chiave segreta predeterminata viene condivisa da tutte le periferiche che accedono alla rete senza fili.

### Metodi di crittografia:

La crittografia è utilizzata per proteggere i dati stessi. Il server NC-7100w supporta i metodi di crittografia WEP.

**Nessuna** Non viene utilizzato alcun metodo di crittografia.

**WEP** Quando si utilizza il metodo WEP (Wired Equivalent Privacy), i dati vengono trasmessi e ricevuti con una chiave di protezione.

### Chiave di rete:

Sono presenti alcune regole per ciascun metodo di protezione:

#### Sistema aperto / Chiave condivisa con WEP

Immettere la chiave WEP che verrà utilizzata per accedere alla rete. Questa chiave è un valore a 64 bit o a 128 bit che deve essere immesso in formato ASCII o ESADECIMALE.

#### ■ 64 (40) bit ASCII:

utilizza 5 caratteri di testo.

Ad esempio "Hello" (con distinzione tra maiuscole e minuscole).

#### ■ 64 (40) bit esadecimale:

utilizza 10 caratteri di dati esadecimali.

Ad esempio "71f2234aba".

#### ■ 128 (104) bit ASCII:

utilizza 13 caratteri di testo.

Ad esempio "Wirelesscomms" (con distinzione tra maiuscole e minuscole).

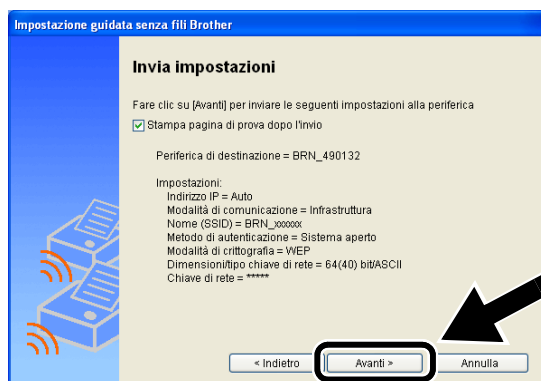
#### ■ 128 (104) bit esadecimale:

utilizza 26 caratteri di dati esadecimali.

Ad esempio

"71f2234ab56cd709e5412aa3ba"

- 11** Fare clic su **Avanti** per applicare le impostazioni al server NC-7100w.



- 12 Quando viene visualizzata la schermata Impostazione completata, fare clic su **Avanti**.



- 13 Utilizzando le informazioni registrate al passaggio 2, ripristinare le impostazioni senza fili originali del computer. Fare clic su **Esci**.



È anche possibile configurare il server NC-7100w dal pannello di controllo della stampante o mediante l'utilità BRAdmin o un browser Web. Vedere l'Appendice B della Guida dell'utente abilitato alla connessione di rete del server NC-7100w per ulteriori dettagli.

## Passaggio 4

### Installazione del driver della stampante e del software di stampa di rete

È necessario installare il driver della stampante e il software di stampa di rete e configurarlo per la connessione alla rete senza fili della stampante. Eseguire la procedura riportata di seguito.

Per gli utenti di Mac OS® X 10.1 - 10.3: se il driver della stampante è già installato sul computer, andare al passaggio 3.

- 1 Fare clic su **Driver della stampante**.



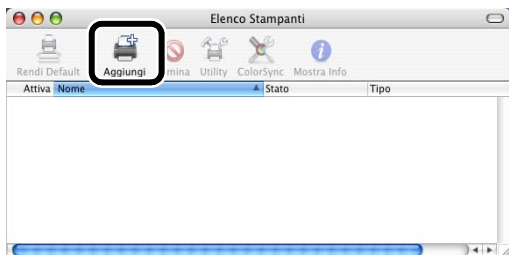
- 2 Per gli utenti di Windows®: fare riferimento alle pagine 19 - 23 della **Guida di installazione rapida della stampante** per gli ulteriori passaggi. Per gli utenti di Mac OS® X 10.1 - 10.3: seguire le istruzioni sullo schermo.

**OK!** Per gli utenti di Windows®:  
L'impostazione è completata.

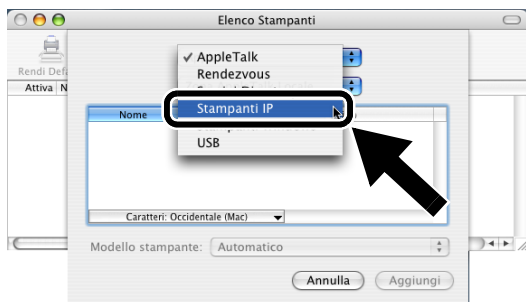
Per gli utenti di  
Mac OS® X 10.1 - 10.3

- 3 Dal menu **Vai**, selezionare **Applicazioni**. Aprire la cartella **Utilities**, quindi fare clic sull'icona **Print Center**.

#### 4 Fare clic su **Aggiungi**.



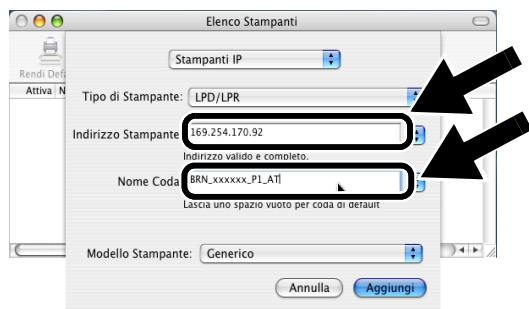
#### 5 Selezionare **Stampanti IP**.



Per gli utenti di Mac® OS X 10.2.4 o versioni successive:

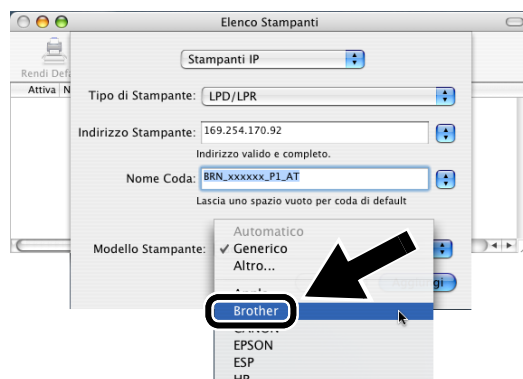
Per collegare la stampante mediante le funzionalità di configurazione di rete semplice di Apple® Mac OS® X, selezionare **Rendezvous** e **HL-6050D\_DN series**. L'impostazione è completata.

#### 6 Immettere l'indirizzo TCP/IP della stampante nella casella **Indirizzo Stampante**. Se non si utilizza la coda predefinita, immettere **BRN\_XXXXXX\_P1\_AT**.

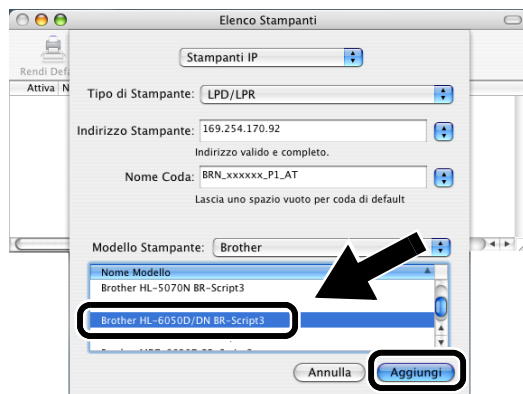


xxxxxx rappresenta le ultime sei cifre dell'indirizzo MAC. È possibile risalire all'indirizzo MAC stampando la pagina di configurazione della rete. Per informazioni sulla stampa della pagina di configurazione della rete, vedere *Altre informazioni in questa Guida di installazione rapida*.

#### 7 Selezionare **Brother** dall'elenco a discesa **Modello Stampante**.



#### 8 Selezionare **HL-6050D/DN BR-Script3**, quindi fare clic su **Aggiungi**.



**L'impostazione è completata.**

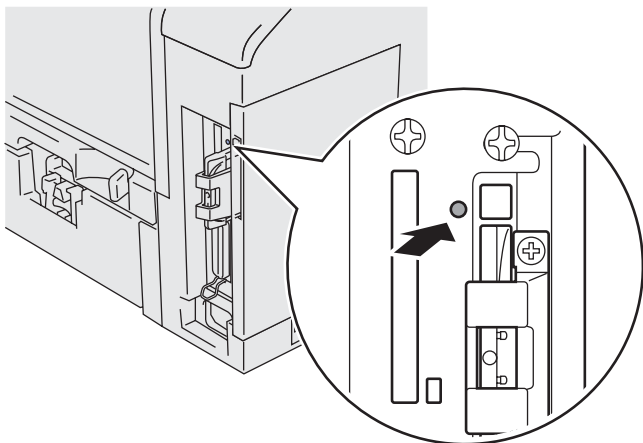


È possibile risalire all'indirizzo TCP/IP stampando la pagina di configurazione della rete. Per informazioni sulla stampa della pagina di configurazione della rete, vedere *Altre informazioni in questa Guida di installazione rapida*.

## Ulteriori informazioni

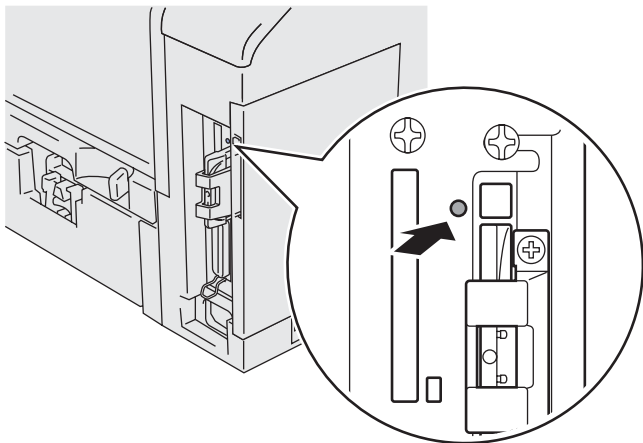
### Come stampare una pagina di configurazione della rete

Per stampare una pagina di configurazione della rete, utilizzare una penna a punta fine per premere il tasto Prova di rete per **meno** di 5 secondi.

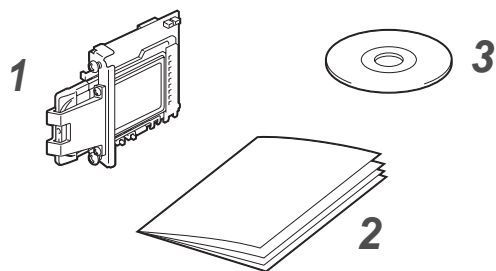


### Come ripristinare le impostazioni di fabbrica

Per ripristinare le impostazioni di fabbrica del server di stampa e tutte le informazioni quali password e indirizzo IP, tenere premuto il pulsante Prova di rete per **più** di 5 secondi utilizzando una penna a punta fine.

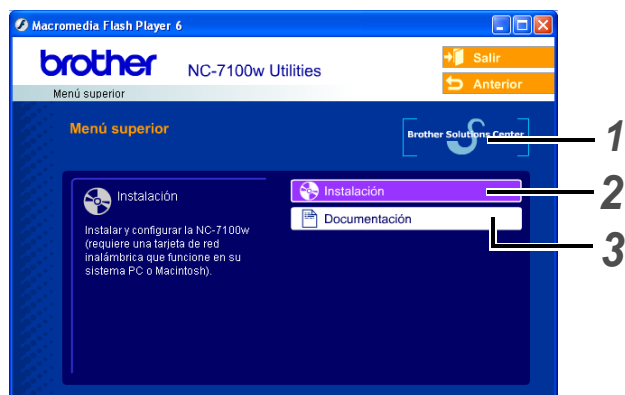


# Componentes en la caja



- 1 Servidor de impresión inalámbrico NC-7100w
- 2 Guía de configuración rápida
- 3 CD-ROM (incluyendo el software de instalación y el Manual del usuario de red del servidor de impresión inalámbrico NC-7100w)

# Contenido del CD-ROM



- 1 **Centro de soluciones de Brother**  
El Centro de soluciones de Brother (<http://solutions.brother.com>) es un punto de referencia para todas las necesidades de su impresora. Descargue los controladores más actualizados y utilidades para sus impresoras, lea las preguntas más comunes y obtenga consejos para la solución de problemas o conozca soluciones a cerca de la impresora.

- 2 **Instalación**  
Puede ver el Asistente de configuración inalámbrica, que le guiará durante la configuración del servidor de impresión inalámbrico. También puede instalar el controlador de impresora y la utilidad BRAdmin Professional.

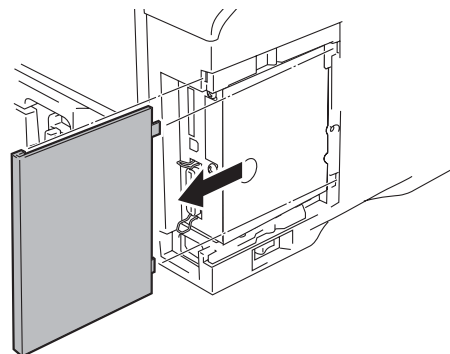
- 3 **Documentación**  
Vea el Manual del usuario de red y la Guía de configuración rápida del servidor de impresión inalámbrico NC-7100w en formato PDF.

# Configuración del servidor de impresión

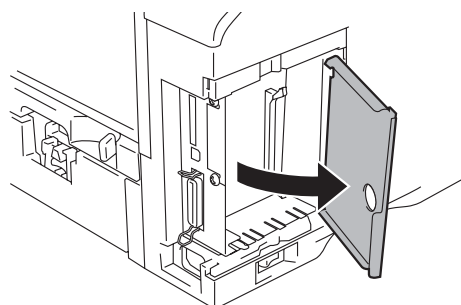
## Paso 1

### Instalación del servidor de impresión

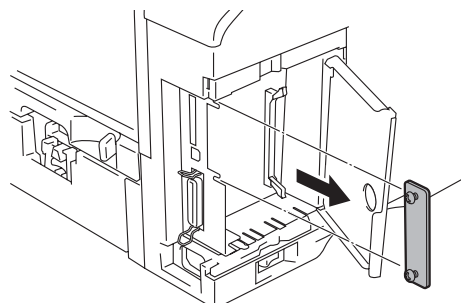
- 1 Desconecte el interruptor de encendido de la impresora y, a continuación, desenchufe la impresora. Desconecte el cable de interfaz de la impresora.
- 2 Deslice y retire la cubierta lateral de la impresora.



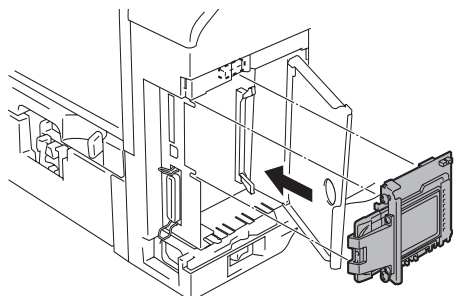
- 3 Abra la cubierta de acceso de la interfaz.



- 4 Afloje los dos tornillos y retire la placa de cubierta de la tarjeta de red.



- 5** Coloque el conector del servidor de impresión inalámbrico NC-7100w con fuerza en el conector de la placa controladora principal alineando los dos tornillos con la ranura de la impresora; a continuación, fíjela con los dos tornillos.



- 6** Cierre la cubierta de acceso de la interfaz.
- 7** Vuelva a colocar la cubierta lateral.
- 8** Vuelva a enchufar la impresora y, a continuación, encienda el interruptor de alimentación.
- 9** Compruebe que el testigo de alimentación del servidor de impresión está encendido.



- 10** Imprima una página de configuración de red y asegúrese de que la dirección IP se ha configurado como 169.254.x.x (donde x.x son números entre 1 y 254). Si no se ha inicializado aún la dirección IP, espere un máximo de 5 minutos e imprima otra página de configuración de red.



*Consulte Otra información en esta Guía de configuración rápida para obtener información sobre el modo de imprimir la página de configuración de red.*

## Paso 2

### Cambio de la configuración inalámbrica de su sistema para configurar el servidor de impresión NC-7100w

Antes de que pueda utilizar la impresora en una red inalámbrica, la configuración del servidor de impresión inalámbrico NC-7100w debe coincidir con la de su red.

Para configurar el servidor de impresión inalámbrico NC-7100w desde un sistema inalámbrico de la red, debe cambiar temporalmente la configuración inalámbrica en vigor. Antes de cambiar la configuración inalámbrica que tiene en su PC, recomendamos que anote los parámetros de dicha configuración empleando la tabla de la derecha. Tendrá que volver a introducir estos parámetros al final del paso 3.



*Recomendamos que se ponga en contacto con su administrador de red si necesita ayuda con la configuración inalámbrica de su sistema.*

#### Configuración inalámbrica en vigor de su sistema

Elemento	Configuración en vigor
Modo de comunicación: (Ad-hoc / Infraestructura)	
Nombre de red (SSID)	
Canal: (1-14)	
Encriptación: (NINGUNA / WEP / Otra)	
Tamaño y tipo de clave de encriptación: (64 bits, 128 bits / ASCII, HEX / Otra)	
Clave de encriptación:	

Para establecer la comunicación con el servidor de impresión inalámbrico NC-7100w sin configurar, cambie la configuración del PC a:

**Modo de comunicación: Ad-hoc**

(canal 11)

**Nombre de red (SSID): SETUP**

(sensible a mayúsculas y minúsculas)

**Encriptación: Ninguna**

**Para usuarios de Windows®  
98/Me/2000, Windows NT® 4.0**

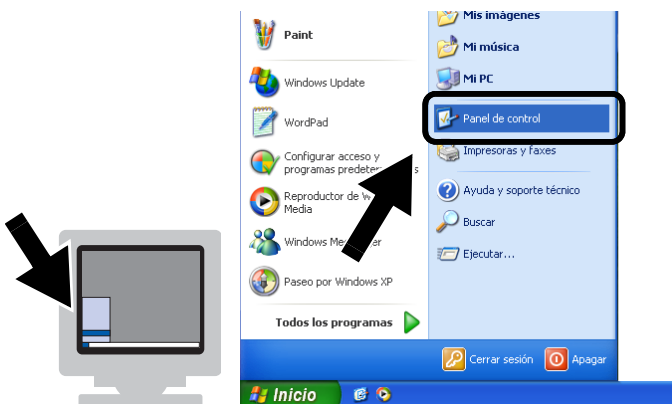
Consulte las instrucciones del fabricante de su tarjeta inalámbrica para cambiar la configuración inalámbrica. A continuación, realice el procedimiento del *paso 3, Configuración del servidor de impresión.*

**Siga en el paso 3**

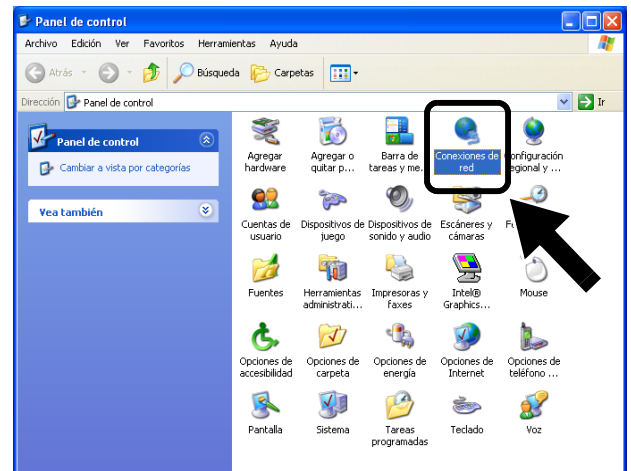
Si está utilizando Windows® XP o Mac OS® X 10.1 a 10.3 y emplea sus capacidades Ethernet inalámbricas incorporadas, realice los siguientes pasos para cada sistema operativo.

**Para usuarios de Windows® XP**

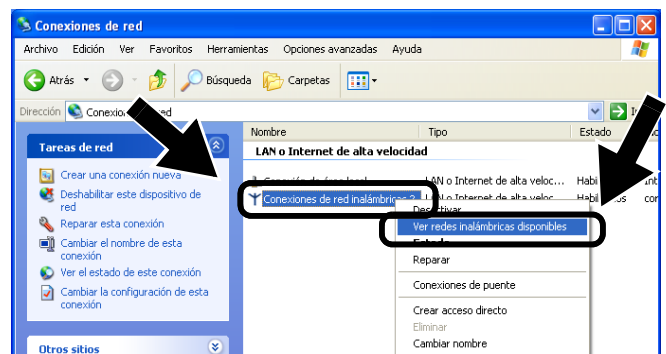
**1** Haga clic en **Inicio** y abra el **Panel de control**.



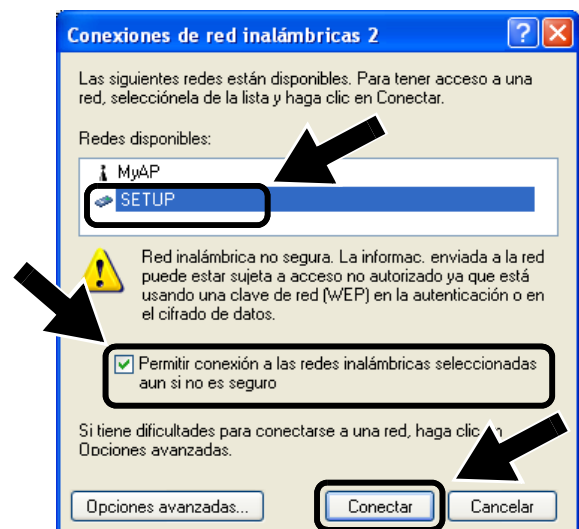
**2** Haga clic en el icono **Conexiones de red**.



**3** Seleccione y haga clic en **Conexiones de red inalámbricas**. Haga clic en **Ver redes inalámbricas disponibles**.

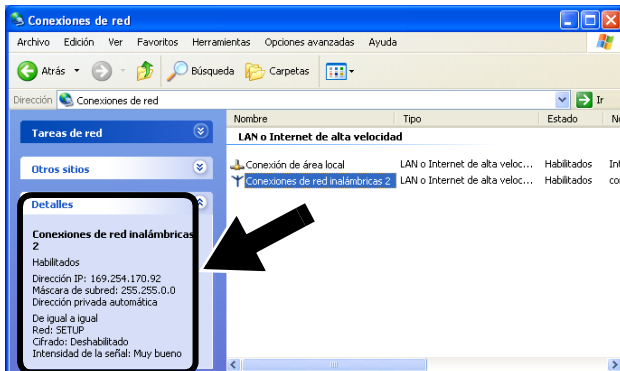


**4** Podrá ver el servidor de impresión inalámbrico Brother en el cuadro **Redes inalámbricas disponibles**. Seleccione **SETUP** y marque la casilla de verificación **Permitir conexión....** Haga clic en el botón **Conectar**.





- 5 Compruebe el estado de la conexión de red inalámbrica. El cambio de dirección IP en pantalla de 0.0.0.0 a 169.254.x.x puede tardar unos minutos (donde x.x son números entre 1 y 254).



*Si no se muestra el servidor de impresión inalámbrico Brother que desea seleccionar, realice estos pasos:*

- 1 Desplace la impresora con el servidor de impresión inalámbrico montado a un punto más cercano a su sistema o reoriente el servidor de impresión inalámbrico e inténtelo de nuevo.
- 2 Restablezca la configuración de fábrica del servidor de impresión inalámbrico e inténtelo de nuevo. Consulte Otra información en esta Guía de configuración rápida para obtener información sobre el modo restaurar la configuración de fábrica.

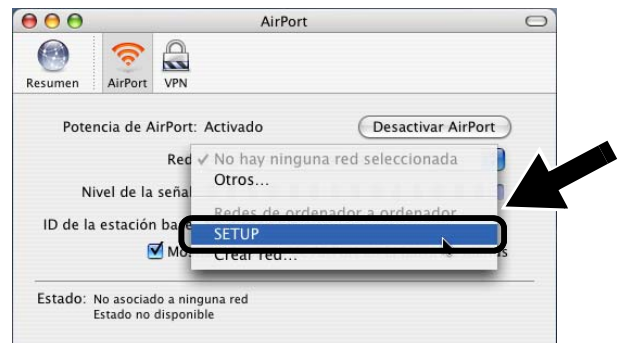
**Siga en el paso 3**

## Para usuarios de Mac OS® X 10.1 a 10.3

- 1 Haga clic en el icono de estado AirPort y seleccione **Abrir Conexión a Internet....**



- 2 Haga clic en la ficha Red para ver los dispositivos inalámbricos disponibles. Podrá ver el servidor de impresión inalámbrico Brother en la opción **Red**. Seleccione **SETUP**.



- 3 Su red inalámbrica estará conectada correctamente.





Si no se muestra el servidor de impresión inalámbrico Brother que desea seleccionar, realice estos pasos:

- 1 Desplace la impresora con el servidor de impresión inalámbrico montado a un punto más cercano a su sistema o reoriente el servidor de impresión inalámbrico e inténtelo de nuevo.
- 2 Restablezca la configuración de fábrica del servidor de impresión inalámbrico e inténtelo de nuevo. Consulte Otra información en esta Guía de configuración rápida para obtener información sobre el modo restaurar la configuración de fábrica.
- 3 Consulte el Capítulo 10 del Manual del usuario de red del servidor de impresión inalámbrico NC-7100w en el CD-ROM que se proporciona con este servidor de impresión.

## Paso 3

### Configuración de servidor de impresión

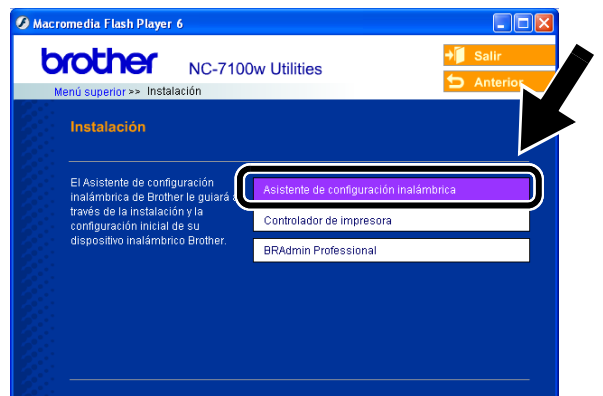
- 1 Inserte el CD-ROM en la unidad de CD-ROM.  
(Para usuarios de Windows®) La pantalla de bienvenida aparecerá automáticamente.  
(Para usuarios de Mac OS® X 10.1 a 10.3) Haga doble clic en el icono **NC7100w** en el Macintosh®; a continuación, haga doble clic en el icono **Start Here**.
- 2 Seleccione su idioma.



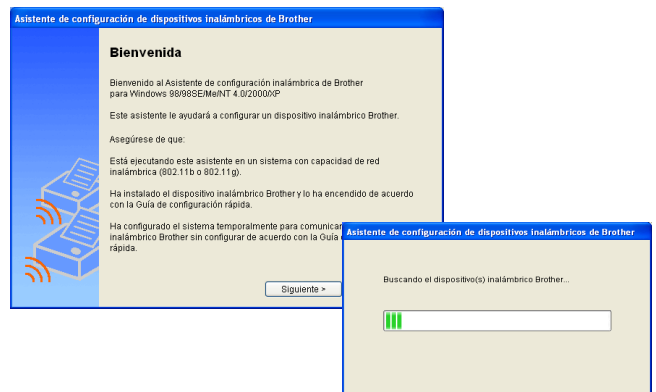
- 3 Haga clic en **Instalación**.



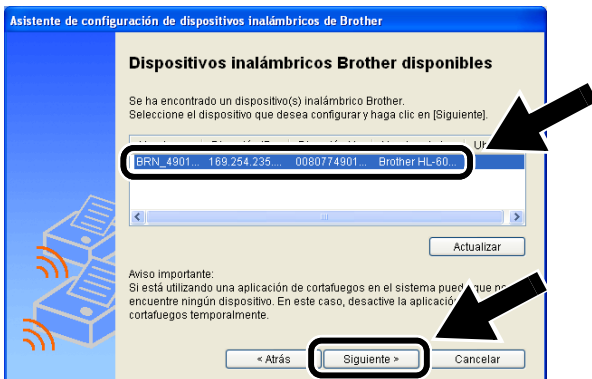
- 4 Haga clic en **Asistente de configuración inalámbrica**.



- 5 Revise la información de **Bienvenida** y cuando esté seguro de que ha completado las tareas necesarias, haga clic en **Siguiente**.



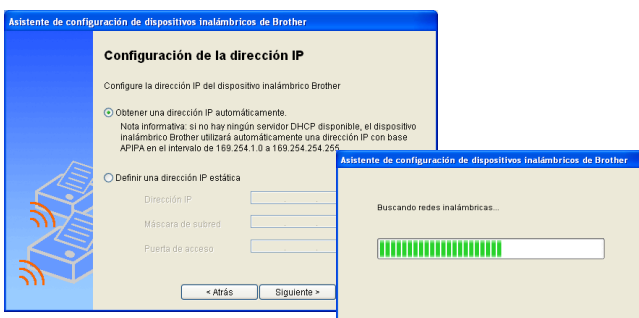
- 6 La búsqueda mostrará una lista de los dispositivos inalámbricos Brother que se hayan encontrado. Seleccione el dispositivo que desea configurar y haga clic en **Siguiente**.



- 7 Si su red admite DHCP, seleccione **Obtener una dirección IP automáticamente** y el servidor de impresión inalámbrico NC-7100w obtendrá de forma automática la información de dirección IP de la red.

Si desea introducir manualmente la configuración de dirección IP del servidor de impresión inalámbrico NC-7100w, seleccione **Definir una dirección IP estática** e introduzca la configuración de dirección IP necesaria para la red.

Después de realizar la selección, haga clic en **Siguiente** y el asistente buscará las redes inalámbricas disponibles.

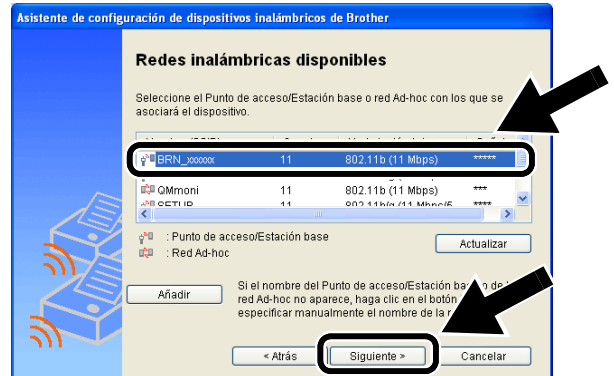


*El servidor de impresión inalámbrico NC-7100w admite el protocolo Direccionamiento automático de direcciones IP privadas (APIPA). Si no hay un servidor DHCP disponible, el servidor de impresión NC-7100w asignará automáticamente una dirección IP del intervalo 169.254.1.0 a 169.254.254.255.*



*Recomendamos que se ponga en contacto con su administrador de red si no está seguro sobre la configuración de dirección IP correcta.*

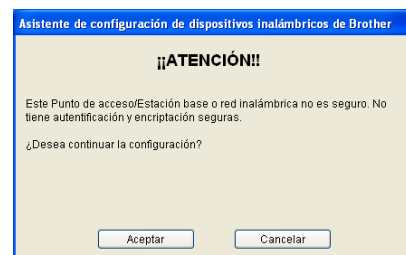
- 8 Se mostrarán las redes inalámbricas que se han encontrado. Seleccione el Punto de acceso/Estación base o red Ad-hoc que desee asociar con el servidor de impresión inalámbrico NC-7100w y haga clic en **Siguiente**.



*Si el Punto de acceso/Estación base o red Ad-hoc no aparece en la lista, podrá añadirlos manualmente haciendo clic en **Añadir**. Siga las instrucciones que irán apareciendo en pantalla para introducir el SSID y el número de canal.*

- 9 Si la red no está configurada para autenticación y encriptación, aparecerá la imagen que se muestra. Para seguir con la instalación, haga clic en **Aceptar**.

Siga en el **paso 11**.



- 10 Cuando configure su dispositivo inalámbrico Brother, debe estar seguro de que está configurado para coincidir con los parámetros de autenticación y encriptación de la red inalámbrica de que se dispone. Si la red está configurada para autenticación y encriptación, seleccione el **Método de autenticación** y el **Modo de encriptación** en las listas desplegables de cada opción. A continuación, introduzca la **Clave de red** y haga clic en **Siguiente**.



### Métodos de autenticación:

La autenticación se utiliza para identificar cada dispositivo inalámbrico que está intentando acceder a la red.

#### Sistema abierto

Se permite el acceso a la red a dispositivos inalámbricos sin ninguna autenticación.

**Clave compartida** (sólo para el modo Infraestructura)

Todos los dispositivos que acceden a la red inalámbrica comparten una clave predeterminada secreta.

### Métodos de encriptación:

La encriptación se utiliza para asegurar los datos. El dispositivo NC-7100w admite la encriptación WEP.

**Ninguno** No se utiliza ningún método de encriptación.

**WEP** Al utilizar WEP (Privacidad equivalente a cableado), los datos se transmiten y se reciben con una clave segura.

### Clave de red:

Existen algunas reglas para cada método de seguridad:

#### Sistema abierto/Clave compartida con WEP

Introduzca la clave WEP que se utilizará para acceder a la red. Esta clave consiste en un valor de 64 bits o 128 bits que debe introducirse en formato ASCII o HEXADECIMAL.

##### ■ ASCII de 64(40) bits

Utiliza 5 caracteres de texto. por ej. "Hello" (distingue entre mayúsculas y minúsculas)

##### ■ Hexadecimal de 64(40) bits

Utiliza 10 dígitos de datos hexadecimales. por ej. "71f2234aba"

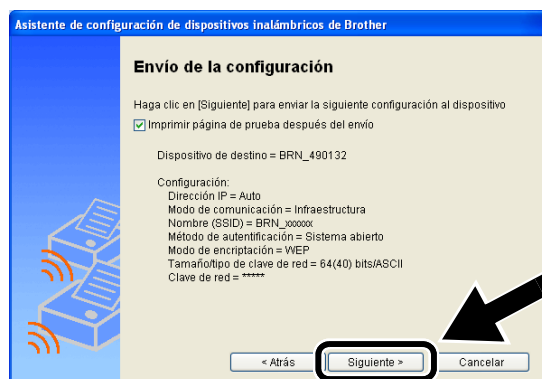
##### ■ ASCII de 128(104) bits

Utiliza 13 caracteres de texto. por ej. "Wirelesscomms" (distingue entre mayúsculas y minúsculas)

##### ■ Hexadecimal de 128(104) bits

Utiliza 26 dígitos de datos hexadecimales. por ej. "71f2234ab56cd709e5412aa3ba"

- 11 Haga clic en **Siguiente** para enviar la configuración al servidor de impresión inalámbrico NC-7100w.



- 12 Cuando aparezca la pantalla de finalización de la configuración, haga clic en **Siguiente**.



- 13 Con la información registrada en el paso 2, restablezca la configuración inalámbrica original de su sistema. Haga clic en **Salir**.



También puede configurar el servidor de impresión inalámbrico NC-7100w desde el panel de control de la impresora, por medio de la utilidad BRAdmin o con un navegador Web. Consulte el Apéndice B del Manual del usuario de red del servidor de impresión inalámbrico NC-7100w para obtener más detalles.

## Paso 4

### Instalación del controlador de impresora y el software de impresión de red

Tendrá que instalar el controlador de impresora y el software de impresión de red, además de configurarlo para la conexión de red inalámbrica de la impresora. Siga los pasos descritos a continuación.

(Para usuarios de Mac OS® X 10.1 a 10.3) Si ya está instalado el controlador de impresora en su sistema, siga en el paso 3.

- 1 Haga clic en **Controlador de impresora**.



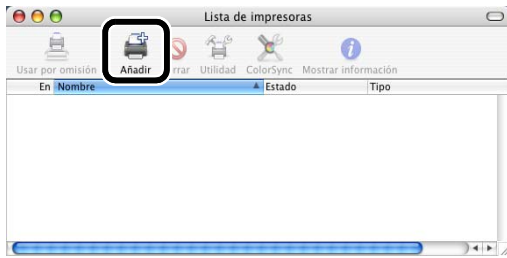
- 2 (Para usuarios de Windows®) Consulte las páginas 19 a 23 de la **Guía de configuración rápida de la impresora** para ver los pasos restantes. (Para usuarios de Mac OS® X 10.1 a 10.3) Siga las instrucciones que irán apareciendo en pantalla.

**OK!** Para usuarios de Windows®:  
La configuración habrá finalizado.

Para usuarios de  
Mac OS® X 10.1 a 10.3

- 3 Seleccione **Aplicaciones** en el menú **Ir**. Abra la carpeta **Utilidades** y abra el icono **Print Center**.

4 Haga clic en **Añadir**.



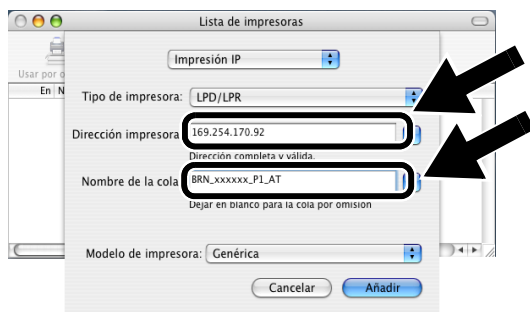
5 Seleccione **Impresión IP**.



**Para usuarios de Mac OS® X 10.2.4 o posterior:**

Si desea conectar su impresora por medio de la capacidad de configuración simple de red de Mac OS® X de Apple®, seleccione Rendezvous y, a continuación, **HL-6050D\_DN series**. La configuración habrá finalizado.

6 Introduzca la dirección TCP/IP de la impresora en el cuadro **Dirección impresora**. Si no está utilizando la cola predeterminada, introduzca **BRN\_XXXXXX\_P1\_AT**.

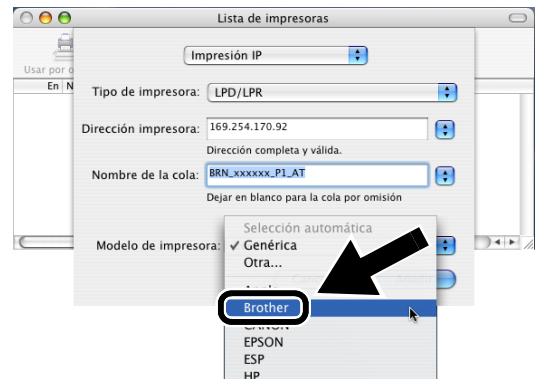


*Para conocer la dirección TCP/IP, imprima la página de configuración de red. Consulte Otra información en esta Guía de configuración rápida para obtener información sobre el modo de imprimir la página de configuración de red.*

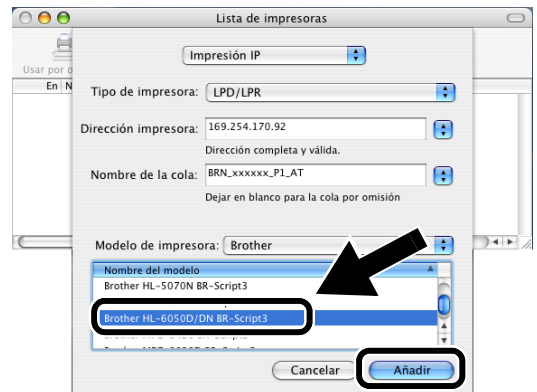


*xxxxxx representa los seis últimos dígitos de la dirección MAC. Para conocer la dirección MAC, imprima la página de configuración de red. Consulte Otra información en esta Guía de configuración rápida para obtener información sobre el modo de imprimir la página de configuración de red.*

7 Seleccione **Brother** en la lista desplegable **Modelo de impresora**.



8 Seleccione **HL-6050D/DN BR-Script3**, a continuación, haga clic en **Añadir**.

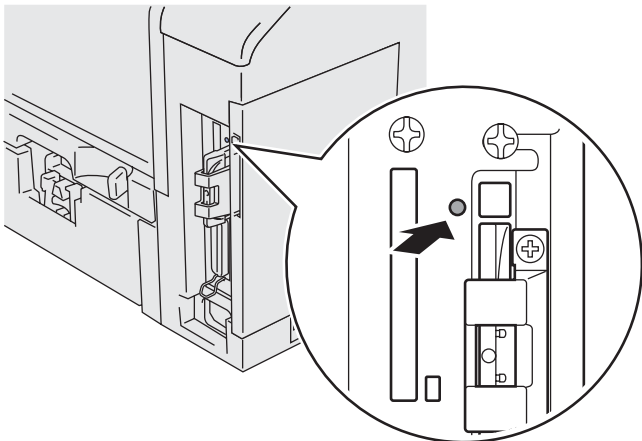


**OK! La configuración habrá finalizado.**

## Otra información

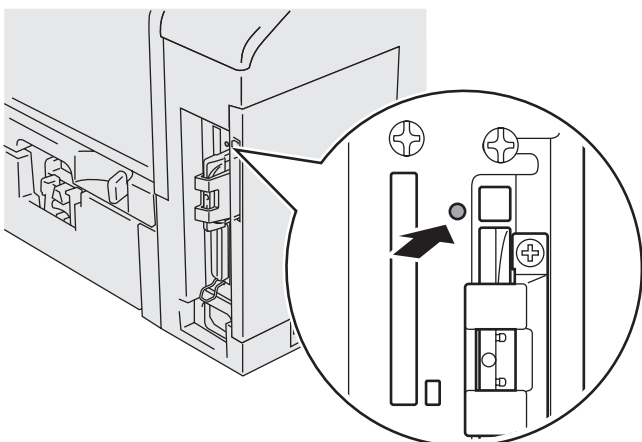
### Cómo imprimir una página de configuración de red

Para imprimir la página de configuración de red, utilice un bolígrafo de punta fina y mantenga pulsado el botón de prueba de red durante **menos** de 5 segundos.

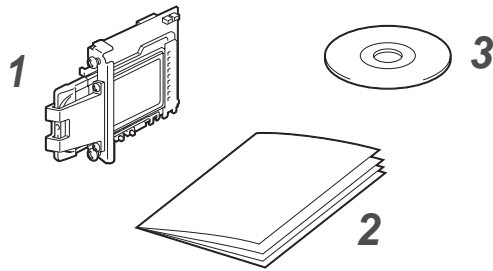


### Cómo restablecer la configuración a los valores predeterminados de fábrica

Si desea restaurar el servidor de impresión a sus valores predeterminados de fábrica (se restaurará toda la información como la contraseña y la dirección IP), utilice un bolígrafo de punta fina y mantenga pulsado el botón de prueba de red durante **más** de 5 segundos.

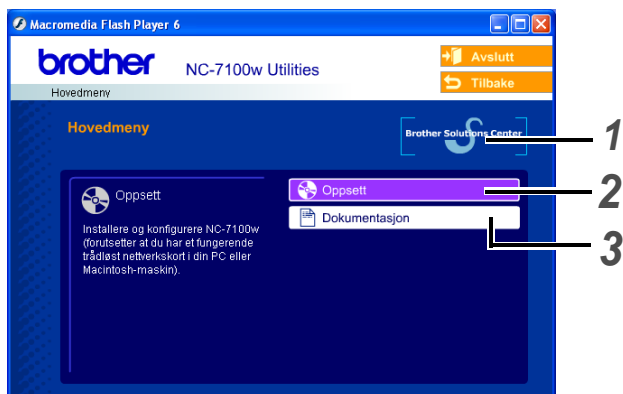


# Komponenter



- 1 Spesifikasjoner for trådløs utskriftsserver NC-7100w
- 2 Hurtigoppsettguide
- 3 CD-ROM (inkludert installasjonsprogramvare og nettverkshåndbok for NC-7100w)

## Hva som finnes på CD-ROM-en



- 1 **Brother Solutions Center**  
Brother Solutions Center (<http://solutions.brother.com>) har all programvaren og informasjonen du trenger til skriveren. Du kan laste ned de seneste driverne og verktøyene til skriverne, lese svar på vanlige spørsmål, få tips om problemløsning eller finne informasjon om utskriftsløsninger.
- 2 **Installasjon**  
Du kan se veiviseren for trådløst oppsett som guider deg gjennom utskriftsserverkonfigureringen. Du kan også installere skriverdriveren og BRAdmin Professional.

### 3 Dokumentasjon

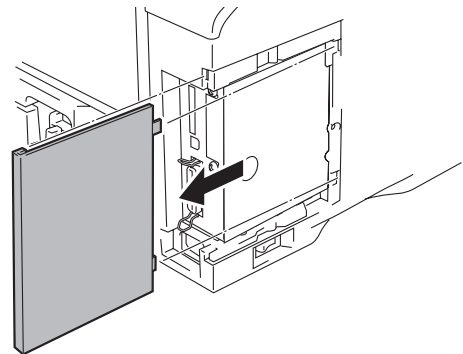
Se nettverkshåndboken for NC-7100w og hurtigoppsettguiden i PDF-format.

## Opprette utskriftsserveren

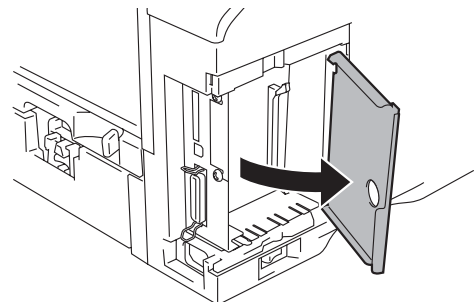
### Trinn 1

#### Installere utskriftsserveren

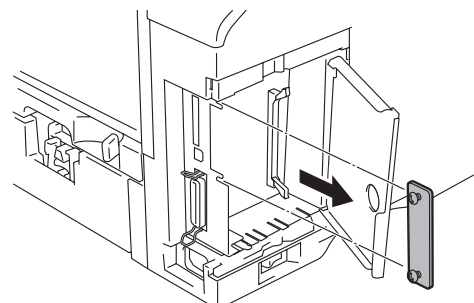
- 1 Slå av strømbryteren på skriveren, og trekk deretter ut strømkabelen, hvis den er tilkoblet. Koble grensesnittkabelen fra skriveren.
- 2 Skyv og fjern skriverens sidedeksel.



- 3 Åpne grensesnittdekslet.

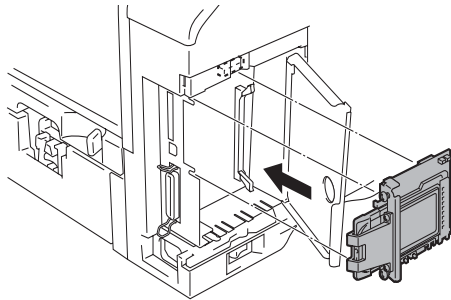


- 4 Skru ut de to skruene, og fjern deretter dekselplaten for nettverkskortet.

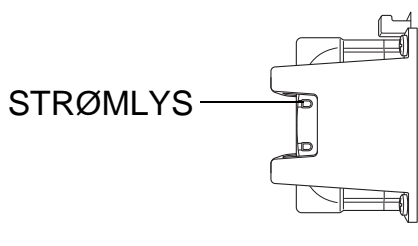




- 5** Sett utskriftsserverkontakten til NC-7100w fast inn i kontakten på hovedkortet ved å sette de to skruene på linje med fordypningen på skriveren, og fest deretter med de to skruene.



- 6** Lukk grensesnittdekslet.  
**7** Sett sidedekslet tilbake på plass.  
**8** Koble skriveren til igjen, og slå deretter på strømmen.  
**9** Kontroller at STRØMLYSET for utskriftsserveren er på.



- 10** Skriv ut en nettverkskonfigureringside og forsikre deg om at IP-adressen har blitt stilt inn til 169.254.x.x (hvor x.x er nummer mellom 1 og 254). Hvis ikke IP-adressen har blitt initialisert enda, vent i inntil fem minutter og skriv deretter ut en ny nettverkskonfigureringside.



Se Annen informasjon i denne hurtigoppsettguiden for informasjon om hvordan du skal skrive ut nettverkskonfigureringsiden.

## Trinn 2

### Endre din datamaskins trådløse innstilling for å konfigurere NC-7100w.

Før du kan bruke skriveren i et trådløst nettverk, må den trådløse utskriftsserveren NC-7100w være konfigurert til å passe din nettverkskonfigurasjon.

For å konfigurere NC-7100w fra en trådløs datamaskin på ditt nettverk, må du midlertidig endre dine gjeldende trådløse innstillinger. Før du endrer de gjeldende trådløse innstillingene på din datamaskin, anbefaler vi at du noterer deg dine gjeldende trådløse nettverksinnstillinger ved å bruke tabellen nedenfor. Du må gå tilbake til disse innstillingene på slutten av trinn 3.



*Vi anbefaler at du tar kontakt med din nettverksadministrator hvis du trenger assistanse med din datamaskins trådløse innstillinger.*

### Gjeldende trådløse nettverksinnstillinger på din datamaskin

Enhet	Gjeldende innstilling
Kommunikasjonsmodus : (Infrastruktur/ad-hoc)	
Nettverksnavn (SSID)	
Kanal: (1-14)	
Kryptering: (INGEN/WEP/Annen)	
Krypteringsnøkkelens størrelse og type: (64 bit, 128 bit / ASCII, HEX / Annen)	
Krypteringsnøkkel:	

For å kommunisere med ikke-konfigurert NC-7100w, endre din trådløse datamaskinnstilling til:

**Kommunikasjonsmodus: Ad-hoc**  
(kanal 11)

**Nettverksnavn (SSID): SETUP**  
(skiller mellom små og store bokstaver)

**Kryptering: Ingen**

For brukere av Windows®  
98/Me/2000 og Windows NT® 4.0

Se instruksjonene fra produsenten av det trådløse kortet for hvordan du endrer de trådløse innstillingene. Gå deretter til *Trinn 3 Konfigurere utskriftsserveren*.

Fortsett til Trinn 3

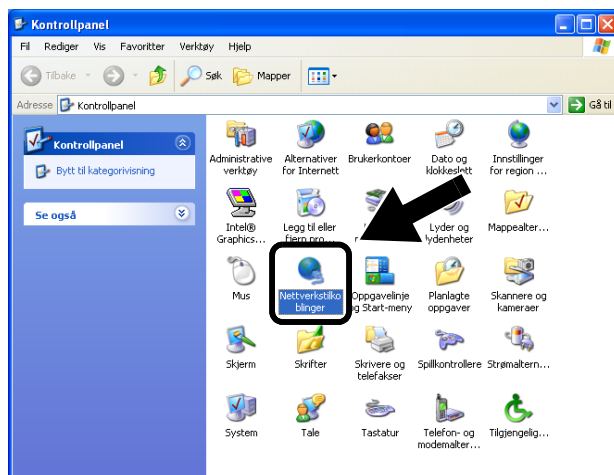
Hvis du bruker Windows® XP eller Mac OS® X 10.1 til 10.3 og du bruker disse innebyggede trådløse Ethernet-egenskaper, bruk følgende trinn for hvert operativsystem.

For brukere av Windows® XP

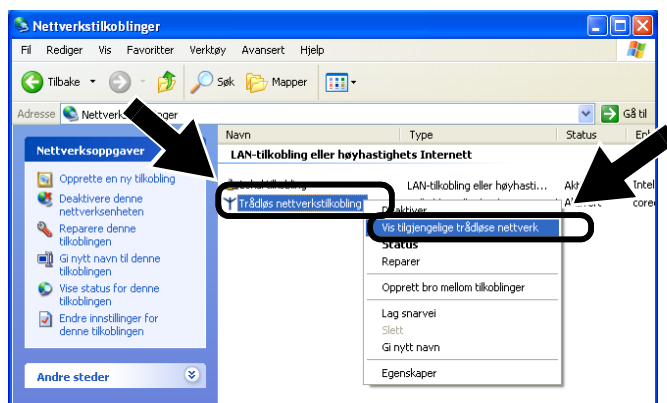
1 Klikk på **Start** og deretter på **Kontrollpanel**.



2 Klikk på ikonet **Nettverkstilkoblinger**.



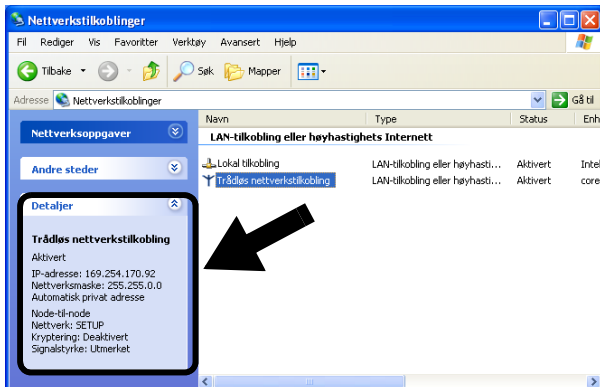
3 Velg og høyreklikk på **Trådløs nettverkstilkobling**. Klikk **Vis tilgjengelige trådløse nettverk**.



4 Du kan se Brother trådløse utskriftsserver i boksen **Tilgjengelige trådløse nettverk**. Velg **SETUP** og merk av i boksen for **Tillat meg å koble...** Klikk på knappen **Koble til**.



- 5 Sjekk statusen for det trådløse nettverket. Det kan ta noen minutter å endre fra at 0.0.0.0 til at 169.254.x.x IP-adressen vises på skjermen (hvor x.x er nummer mellom 1 og 254).



*Hvis den trådløse Brother-utskriftsserveren du vil velge ikke er listet opp, følg disse trinnene:*

- 1 Flytt skriveren med den trådløse utskriftsserveren installert nærmere til PC-en eller reorienter utskriftsserveren og prøv på ny.
- 2 Nullstill utskriftsserveren tilbake til standard fabrikkinnstillinger og prøv på nytt. Se Annen informasjon i denne hurtigoppsettguiden for informasjon om hvordan du nullstiller til standard fabrikkinnstillinger.
- 3 Se kapittel 10 i nettverksbrukerhåndboken til NC-7100w på CD-ROM-en som leveres med NC-7100w.

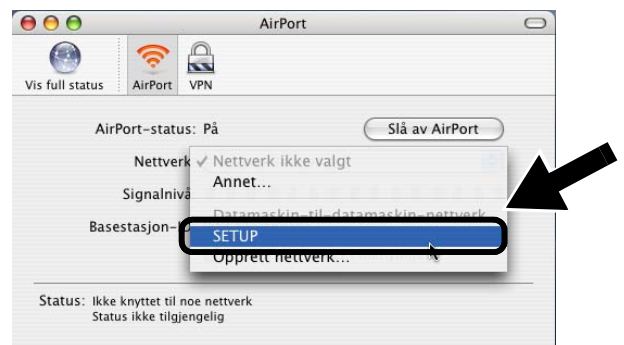
**Fortsett til Trinn 3**

## For brukere av Mac OS® X 10.1 til 10.3

- 1 Klikk på ikonet for AirPort-status og velg **Åpne Internet Connect...**



- 2 Klikk på nettverkskategorien for å se tilgjengelige trådløse enheter. Du kan se Brother trådløse utskriftsserver i alternativet **Nettverk**. Velg **SETUP**.



- 3 Ditt trådløse nettverk er oppkoblet.





Hvis den trådløse Brother-utskriftsserveren du vil velge ikke er listet opp, følg disse trinnene:

- 1 Flytt skriveren med den trådløse utskriftsserveren installert nærmere til PC-en eller reorienter utskriftsserveren og prøv på ny.
- 2 Nullstill utskriftsserveren tilbake til standard fabrikkinnstillinger og prøv på nytt. Se Annen informasjon i denne hurtigoppsettguiden for informasjon om hvordan du nullstiller til standard fabrikkinnstillinger.
- 3 Se kapittel 10 i nettverksbrukerhåndboken til NC-7100w på CD-ROM-en som leveres med NC-7100w.

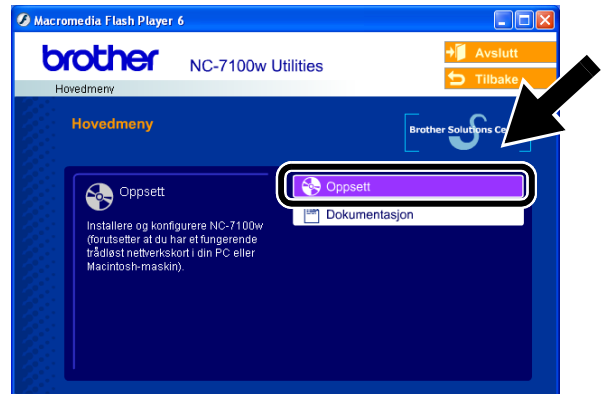
## Trinn 3

### Konfigurerer utskriftsserveren

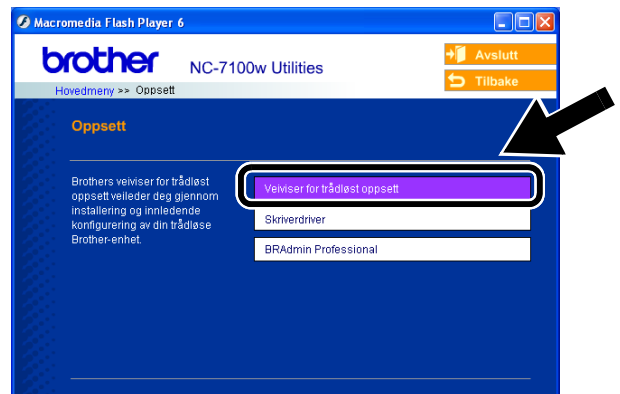
- 1 Sett CD-ROM-en inn i CD-ROM-stasjonen.  
(For Windows®-brukere)  
Åpningsskjermen vil vises automatisk.  
(For Mac OS® X 10.1 til 0.3-brukere)  
Dobbelklikk på ikonet **NC7100w** på din Macintosh®, og dobbelklikk deretter på ikonet **Start Here**.
- 2 Velg ditt språk.



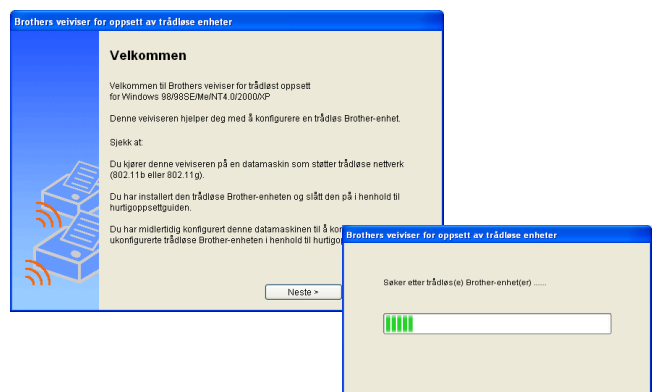
- 3 Klikk på **Oppsett**.



- 4 Klikk på **Veiviser for trådløst oppsett**.



- 5 Gå igjennom **Velkommen**-informasjonen og når du er sikker på at du har fullført de nødvendige oppgavene, klikk på **Neste**.



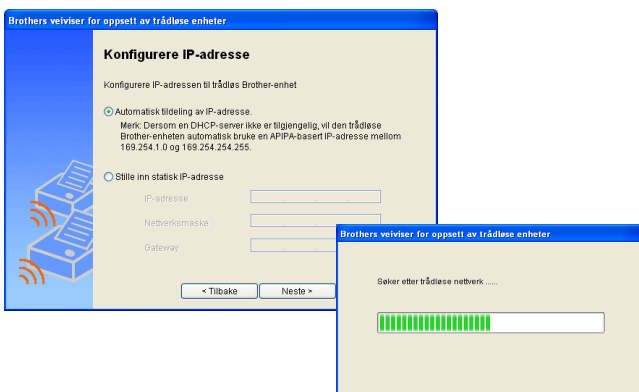
- 6 Søket vil vise en liste over trådløse Brother-enheter som ble funnet. Velg enheten du vil konfigurere og klikk på **Neste**.



- 7 Hvis ditt nettverk støtter DHCP, velg **Automatisk tildeling av IP-adresse** og NC-7100w vil automatisk bli tildelt IP-adresseinformasjon fra ditt nettverk.

Hvis du vil taste inn IP-adresseinnstillingene for NC-7100w manuelt, velg **Stille inn statisk IP-adresse** og legg inn de nødvendige IP-adresseinnstillingene for ditt nettverk.

Etter at du har valgt, klikker du på **Neste** og veiviseren vil lete etter tilgjengelige trådløse nettverk.

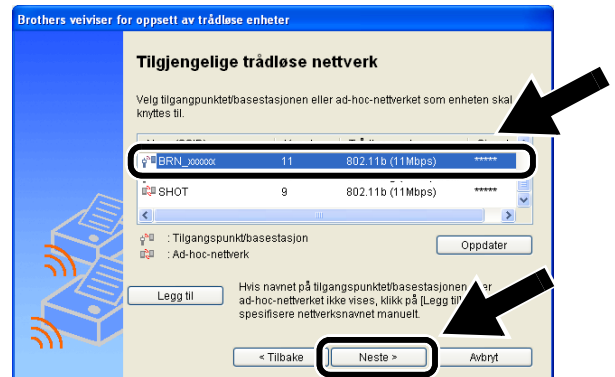


*NC-7100w støtter APIPA-protkollen. Hvis en DHCP-server ikke er tilgjengelig, vil NC-7100w automatisk tilordne en IP-adresse mellom 169.254.1.0 og 169.254.254.255.*



*Vi anbefaler at du kontakter din nettverksadministrator hvis du er usikker på korrekte IP-adresseinnstillinger.*

- 8 En liste over trådløse nettverk som er oppdaget vil vises. Velg det tilgangspunkt/basestasjon eller Ad-hoc-nettverket som du vil tilknytte NC-7100w med og klikk på **Neste**.

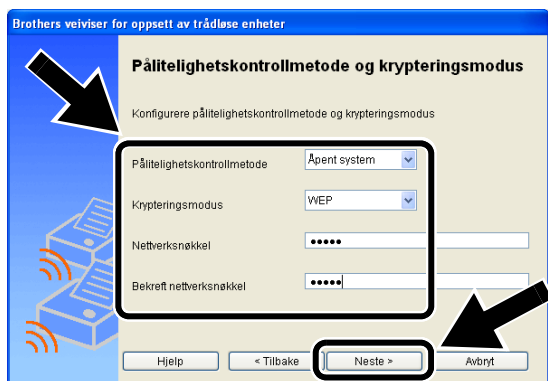


*Hvis tilgangspunkt/basestasjon eller Ad-hoc-nettverket ikke vises på listen, kan du legge det til manuelt ved å klikke **Legg til**. Følg instruksjonene på skjermen for å legge inn SSID- og kanalnummeret.*

- 9 Hvis nettverket ditt ikke er konfigurert for Pålitelighetskontroll og kryptering, vil følgende skjerm vises. For å fortsette installasjonen, klikk **OK**. Gå til **Trinn 11**.



- 10 Når du konfigurerer dine trådløse Brother-enheter, må du forsikre at de er konfigurert til å passe til Pålitelighetskontroll- og krypteringsinnstillingene i ditt eksisterende nettverk. Hvis ditt nettverk er konfigurert for Pålitelighetskontroll og kryptering, velg **Pålitelighetskontrollmetode** og **Krypteringsmodus** fra rullegardinmenyene i hver innstillingsboks. Tast deretter inn **Nettverksnøkkel** og klikk **Neste**.



### Pålitelighetskontrollmetoder:

Pålitelighetskontroll brukes til å identifisere hver trådløse enhet som prøver å få tilgang på nettverket.

#### Åpent system

Trådløse enheter får tilgang til nettverket uten pålitelighetskontroll.

#### Delt nøkkel (kun infrastrukturmodus)

En hemmelig, forhåndsinnstilt nøkkel deles av alle enheter som ønsker tilgang til det trådløse nettverket.

### Krypteringsmetoder:

Kryptering brukes for å sikre selve dataene. NC-7100w støtter WEP-kryptering.

#### Ingen

Ingen krypteringsmetode brukes.

#### WEP

Ved bruk av WEP (Wired Equivalent Privacy) overføres og mottas data med en sikkerhetsnøkkel.

### Nettverksnøkkel:

Det finnes noen regler for hver sikkerhetsmetode:

#### Åpent system / delt nøkkel med WEP

Angi WEP-nøkkelen som vil bli brukt for å få tilgang til nettverket. Denne nøkkelen er en 64-bits eller 128-bits verdi som må angis i ASCII- eller HEKSADESIMALT format.

#### ■ 64 (40) bit ASCII:

Bruker fem bokstavtegn.

F.eks. "Hello" (det skilles mellom store og små bokstaver i denne innstillingen)

#### ■ 64 (40) bit heksadesimal

Bruker ti tegn med heksadesimale data.

F.eks. "71f2234aba"

#### ■ 128 (104) bit ASCII

Bruker 13 bokstavtegn.

F.eks. "Wirelesscomms" (det skilles mellom store og små bokstaver i denne innstillingen)

#### ■ 128 (104) bit heksadesimal

Bruker 26 tegn med heksadesimale data.

F.eks.

"71f2234ab56cd709e5412aa3ba"

- 11 Klikk **Neste** for å sende innstillingene til NC-7100w.



- 12 Når skjermen Installasjonen er fullført vises, klikk **Neste**.



- 13 Ved å bruke informasjonen du registrerte i trinn 2, stiller du de trådløse innstillingene på din datamaskin tilbake til deres originale innstillinger. Klikk **Exit**.



Du kan også konfigurere NC-7100w fra skriverens kontrollpanel, eller ved å bruke BRAdmin-verktøy eller en nettleser. Se Tillegg B i nettverksbrugerhåndboken til NC-7100w for flere detaljer.

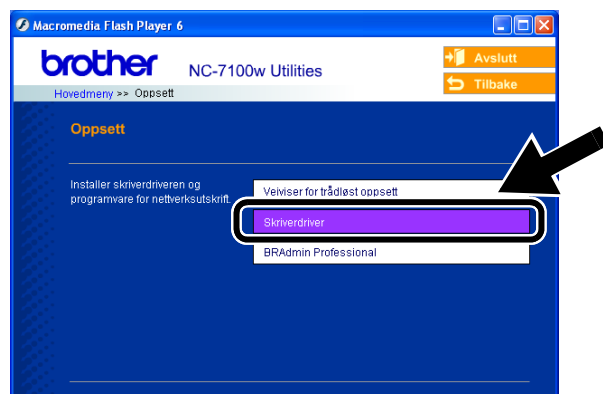
## Trinn 4

### Installer skriverdriveren og programvare for nettverksutskrift

Du må installere skriverdriveren og programvaren for nettverksutskrift, og konfigurere den for trådløs nettverkstilkobling til skriveren. Følg trinnene beskrevet under.

(For Mac OS® X 10.1 til 10.3-brukere) Hvis du allerede har installert skriverdriveren på din datamaskin, gå til trinn 3.

- 1 Klikk på **Skriverdriver**.



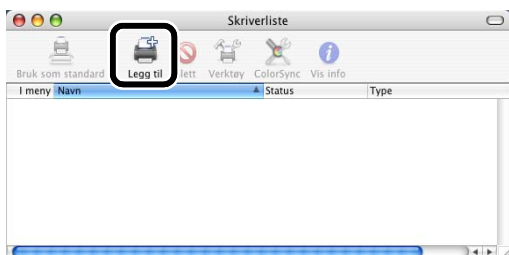
- 2 (For Windows®-brukere) Se side 19 til 23 i **skriverens hurtigoppsettguide** for resten av trinnene.  
(For Mac OS® X 10.1 til 10.3-brukere) Følg instruksjonene på skjermen.

**OK!** For Windows®-brukere:  
Installasjonen er fullført.

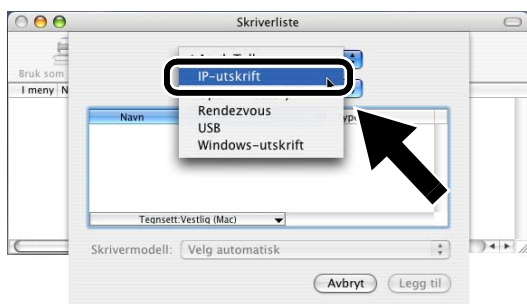
For brukere av  
Mac OS® X 10.1 til 10.3

- 3 Fra menyen **Gå** velger du **Programmer**. Åpne mappen **Utilities** og åpne deretter ikonet **Utskriftssenter**.

#### 4 Velg **Legg til**.



#### 5 Velg **IP-utskrift**.



**For brukere av Mac® OS X 10.2.4 eller høyere:**

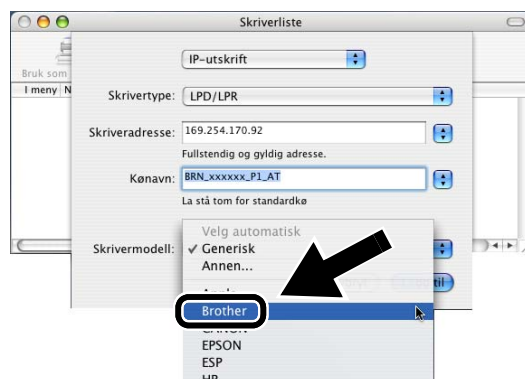
Hvis du vil forbinde skriveren ved hjelp av funksjonene for enkel nettverkskonfigurasjon i Apple® Mac OS® X, velg Rendezvous og deretter **HL-6050D\_DN series**. Installasjonen er fullført.

#### 6 Angi skriverens TCP/IP-adresse i boksen **Skriveradresse**. Skriv inn BRN\_XXXXXX\_P1\_AT hvis du ikke bruker standard kønavn.



xxxxxx er de siste seks tallene i MAC-adressen. Du kan finne MAC-adressen ved å skrive ut konfigurasjonssiden for nettverket. Se *Annen informasjon* i denne hurtigoppsettguiden for informasjon om hvordan du skal skrive ut nettverkskonfigureringsiden.

#### 7 Velg **Brother** fra listen over **Skrivermodell**.



#### 8 Velg **HL-6050D/DN BR-Script3**, og klikk deretter **Legg til**.



**OK!** Installasjonen er fullført.



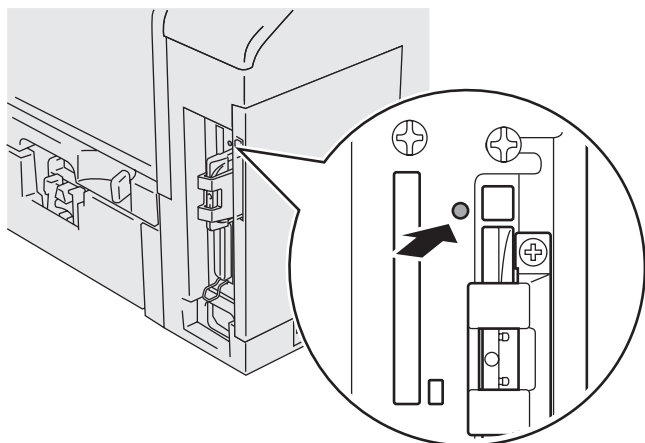
Du kan finne TCP-/IP-adressen ved å skrive ut konfigurasjonssiden for nettverket. Se *Annen informasjon* i denne hurtigoppsettguiden for informasjon om hvordan du skal skrive ut nettverkskonfigureringsiden.



## Annen informasjon

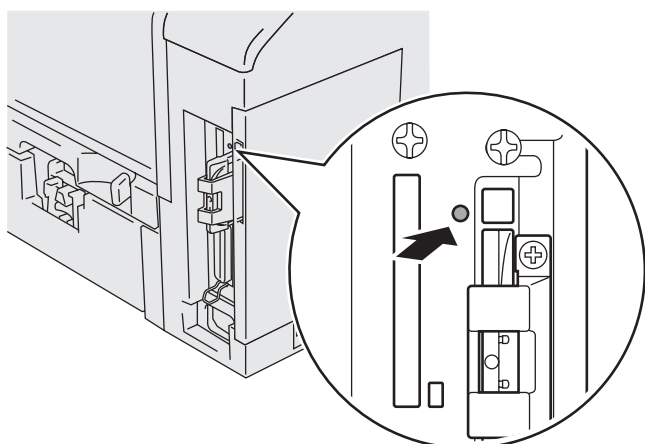
### Slik skriver du ut en nettverkskonfigurasjonsside

Hvis du vil skrive ut en nettverkskonfigurasjonsside, bruker du en kulepenn til å holde knappen for testing av nettverket på skriveren nede i **mindre enn** fem sekunder.

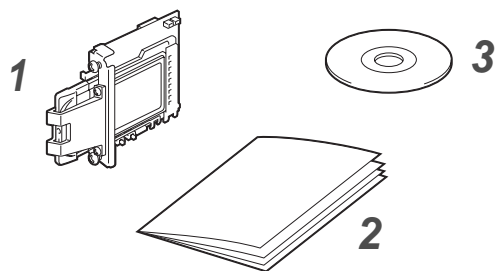


### Slik tilbakestiller du til standardinnstillingene fra fabrikken

Hvis du vil tilbakestille utskriftsserveren til standard fabrikkinnstillinger (tilbakestilling av all informasjon, for eksempel passordet og IP-adressen), bruker du en kulepenn til å holde knappen for testing av nettverket nede i **mer enn** fem sekunder.

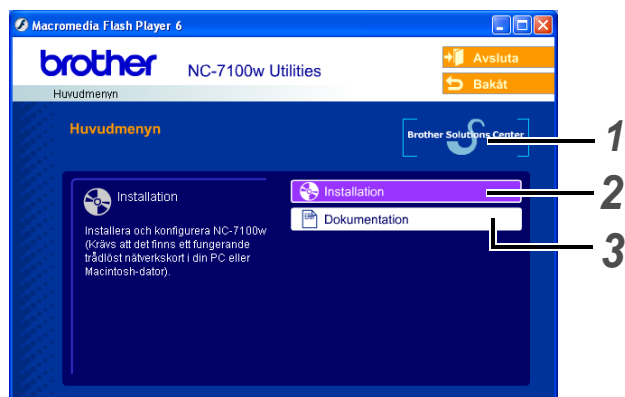


# Komponenter i kartongen



- 1 NC-7100w trådlös skrivarserver
- 2 Snabbguide
- 3 Cd-romskiva (inklusive installationsprogram och bruksanvisning för nätverksanvändare till NC-7100w)

# Innehållet på cd-romskivan



- 1 **Brother Solutions Center**  
På Brother Solutions Center (<http://solutions.brother.com>) finns hjälp för alla dina skrivarbehov. Ladda ner de senaste drivrutinerna och verktygen till dina skrivare, läs igenom avsnittet med vanliga frågor och felsökningstips eller läs om särskilda skrivarlösningar.
- 2 **Installation**  
Du kan visa Brothers Installationsguide för trådlösa enheter, som guidar dig genom konfigurationen av skrivarservern. Du kan även installera skrivardrivrutinen och verktyget BRAdmin Professional.

## 3 Dokumentation

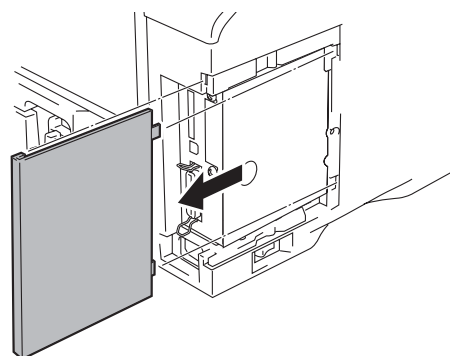
Visa bruksanvisningen för nätverksanvändare och snabbguiden till NC-7100w i PDF-format.

# Ställa in skrivarservern

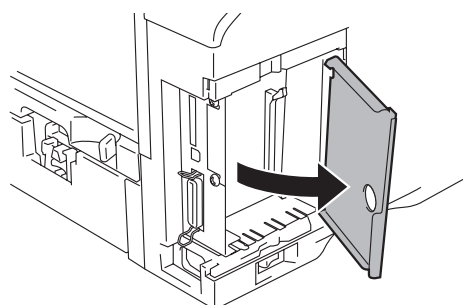
## Steg 1

### Installera skrivarservern

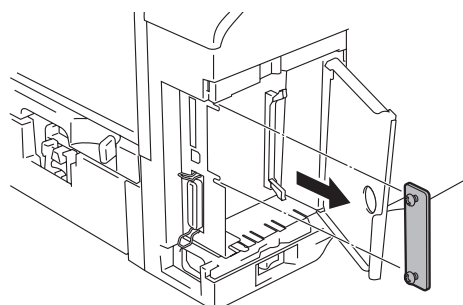
- 1 Slå av strömbrytaren på skrivaren och dra sedan ut nätsladden om den är ansluten. Koppla ur gränssnittskabeln från skrivaren.
- 2 Skjut skrivarens sidolucka åt sidan och ta bort den.



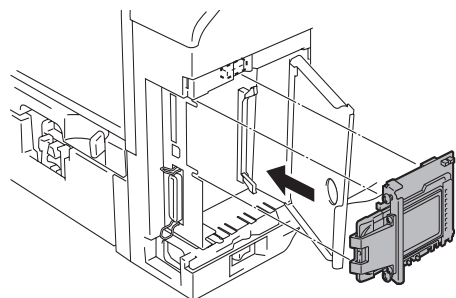
- 3 Öppna gränssnittsluckan.



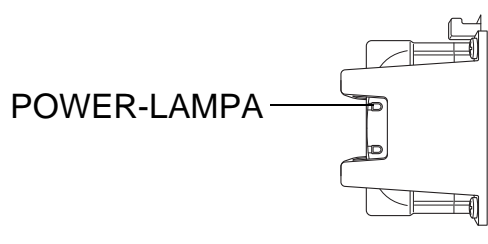
- 4 Lossa de två skruvarna och ta sedan bort täckplattan över nätverkskortet.



- 5** Anslut kontakten till skrivarservern NC-7100w ordentligt till uttaget på huvudkontrollerkortet, genom att rikta in de två skruvarna med skåran på skrivaren, och därefter fästa den med de två skruvarna.



- 6** Stäng gränssnittsluckan.  
**7** Sätt tillbaka sidoluckan.  
**8** Koppla in skrivaren igen och slå på strömbrytaren.  
**9** Se till att skrivarserverns POWER-lampa är påslagen.



- 10** Skriv ut en nätverkskonfigurationssida och se till att IP-adressen har ställts in till 169.254.x.x (där x.x är siffror mellan 1 och 254). Om IP-adressen inte har initierats än, ska du vänta i fem minuter och sedan skriva ut en ny nätverkskonfigurationssida.



Se Övrig information i den här snabbguiden för information om hur du skriver ut nätverkskonfigurationssidan.

## Steg 2

### Ändra datorns trådlösa inställningar för att konfigurera NC-7100w

Innan du kan använda skrivaren i ett trådlöst nätverk, måste den trådlösa skrivarservern NC-7100w konfigureras att matcha ditt nätverks konfigurering.

För att kunna konfigurera NC-7100w från en trådlös dator i ditt nätverk, måste du tillfälligt ändra dina nuvarande trådlösa inställningar. Vi rekommenderar att du skriver ner dina nuvarande trådlösa inställningar i tabellen till höger, innan du ändrar din dators nuvarande trådlösa inställningar. Du kommer behöva att återvända till dessa inställningar i slutet av Steg 3.



Vi rekommenderar att du kontaktar din nätverksadministratör, om du behöver hjälp med din dators trådlösa inställningar.

#### Nuvarande trådlösa nätverksinställningar på din dator

Enhet	Nuvarande inställning
Kommunikationsläge: (Infrastruktur/Ad-hoc)	
Nätverksnamn (SSID)	
Kanal: (1-14)	
Kryptering: (INGEN/WEP/Annan)	
Krypteringskodsstorlek och -typ: (64 bitar, 128 bitar/ASCII, HEX/Annan)	
Krypteringskod:	

Ändra dina trådlösa datorinställningar till följande, för att kommunicera med den okonfigurerade NC-7100w:

**Kommunikationsläge:** Ad-hoc  
(kanal 11)  
**Nätverksnamn (SSID):** SETUP  
(skiftlägeskänsligt)  
**Kryptering:** Ingen

För användare av Windows®  
98/Me/2000, Windows NT® 4.0

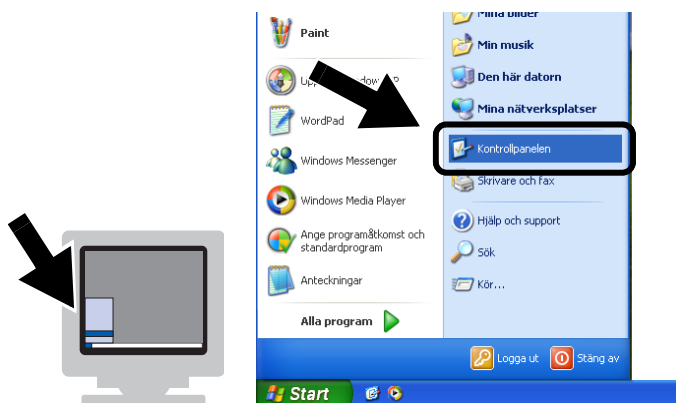
Se instruktionerna från tillverkaren av ditt trådlösa kort om att ändra de trådlösa inställningarna. Gå sedan till *Steg 3 Konfigurera skrivarservern.*

Fortsätt till Steg 3.

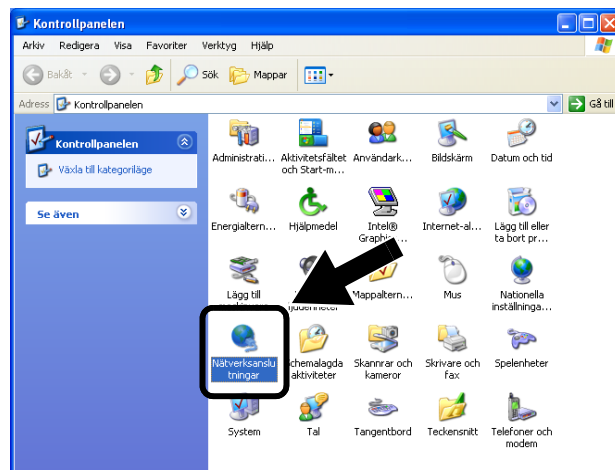
Använd följande steg för respektive operativsystem, om du använder Windows® XP eller Mac OS® X 10.1 till 10.3 och du använder dess inbyggda trådlösa Ethernet-funktion.

För Windows® XP-användare

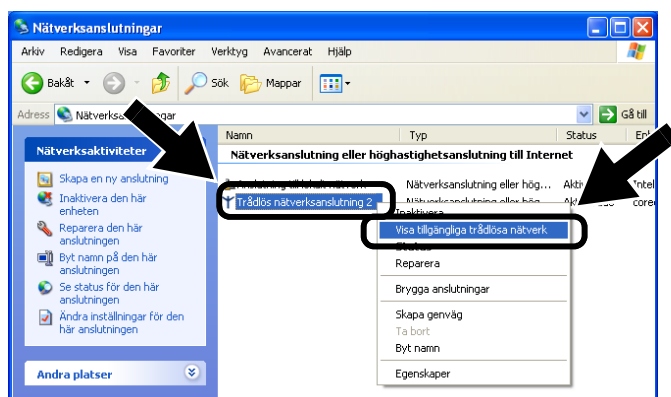
1 Klicka på **Start** och sedan på **Kontrollpanelen**.



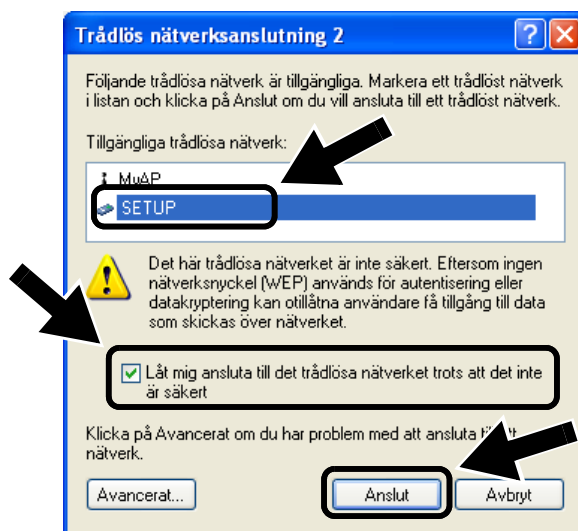
2 Klicka på ikonen **Nätverksanslutningar**.



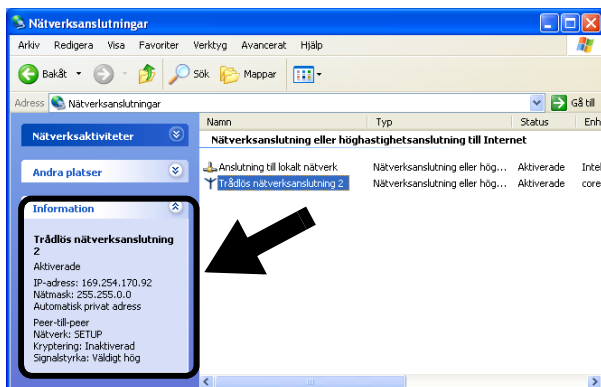
3 Markera och högerklicka på **Trådlös nätverksanslutning**. Klicka på **Visa tillgängliga trådlösa nätverk**.



4 Du kan se den trådlösa Brother-skrivarservern i rutan **Tillgängliga trådlösa nätverk**. Välj **SETUP** och markera rutan **Låt mig ansluta till...** Klicka på knappen **Anslut**.



- 5 Kontrollera statusen för den trådlösa nätverksanslutningen. Det kan ta några minuter att ändra visningen av IP-adressen från 0.0.0.0 till 169.254.x.x på skärmen (där x.x är siffror mellan 1 och 254).



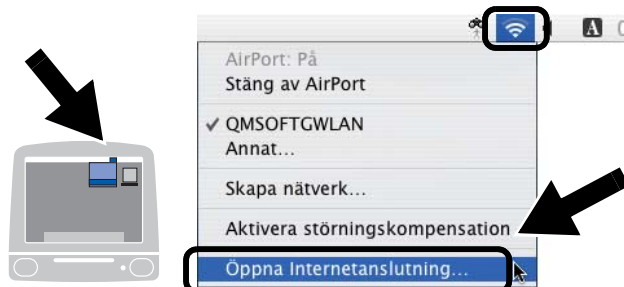
Följ nedanstående steg om den trådlösa Brother-skrivarserver som du vill välja inte finns med i listan:

- 1 Flytta skrivaren med den trådlösa skrivarservern installerad närmare datorn, eller rikta om skrivarservern och försök på nytt.
- 2 Återställ skrivarservern tillbaka till de ursprungliga fabriksinställningarna och försök på nytt. Se Övrig information i den här snabbguiden för information om hur du återställer de ursprungliga fabriksinställningarna.
- 3 Se Kapitel 10 i bruksanvisningen för nätverksanvändare till NC-7100w på cd-romskivan som medföljer till NC-7100w.

Fortsätt till Steg 3.

## För användare av Mac OS® X 10.1 till 10.3

- 1 Klicka på symbolen för AirPort-status och välj **Öppna Internetanslutning...**



- 2 Klicka på **Nätverk** för att se de tillgängliga trådlösa enheterna. Du kan se den trådlösa Brother-skrivarservern i alternativet **Nätverk**. Välj **SETUP**.



- 3 Ditt trådlösa nätverk har anslutits.





Följ nedanstående steg om den trådlösa Brother-skrivarserver som du vill välja inte finns med i listan:

- 1 Flytta skrivaren med den trådlösa skrivarservern installerad närmare datorn, eller rikta om skrivarservern och försök på nytt.
- 2 Återställ skrivarservern tillbaka till de ursprungliga fabriksinställningarna och försök på nytt. Se Övrig information i den här snabbguiden för information om hur du återställer de ursprungliga fabriksinställningarna.
- 3 Se Kapitel 10 i bruksanvisningen för nätverksanvändare till NC-7100w på cd-romskivan som medföljer till NC-7100w.

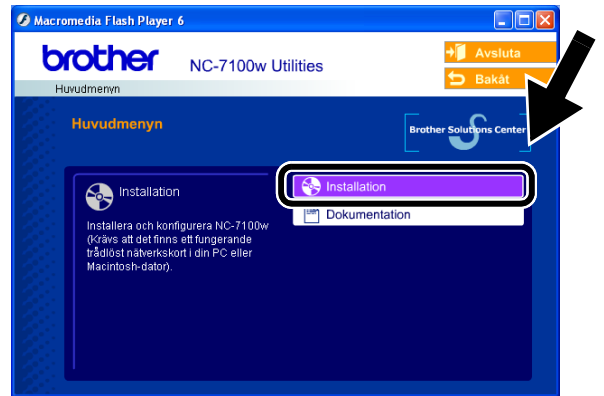
## Steg 3

### Konfigurera skrivarservern

- 1 Sätt in cd-romskivan i cd-romenheten. (För användare av Windows®) Startbilden visas automatiskt. (För användare av Mac OS® X 10.1 till 10.3) Dubbelklicka på symbolen **NC7100w** på din Macintosh®, och dubbelklicka sedan på symbolen **Start Here**.
- 2 Välj ditt språk.



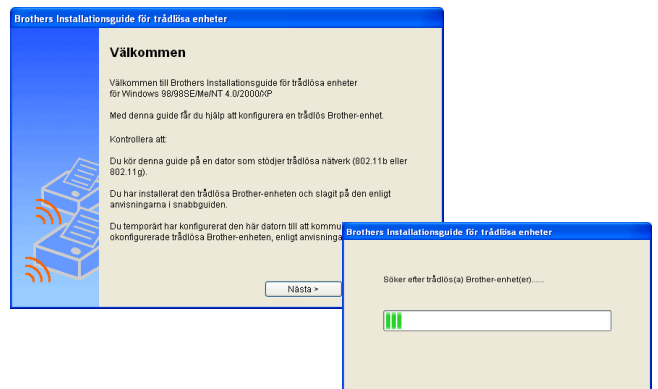
- 3 Klicka på **Installation**.



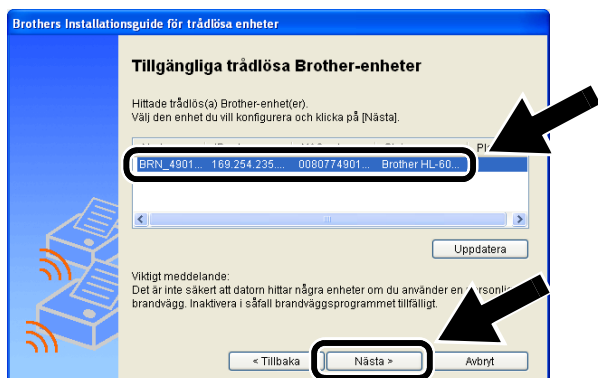
- 4 Klicka på **Installationsguide för trådlösa enheter**.



- 5 Granska **Välkomst**-informationen, och klicka på **Nästa** när du är säker på att du har utfört de nödvändiga aktiviteterna.



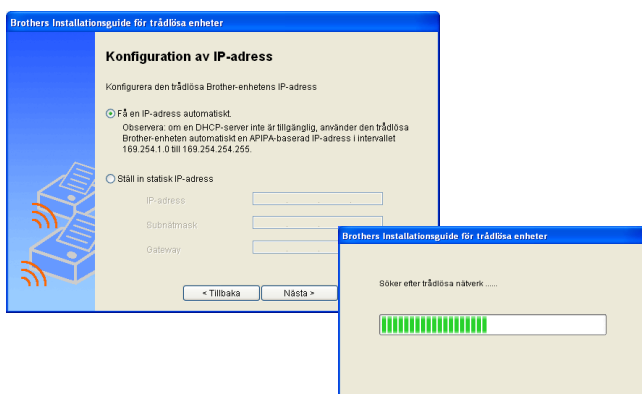
- 6 Sökningen kommer att visa en lista över hittade trådlösa Brother-enheter. Välj den enhet som du vill konfigurera, och klicka på **Nästa**.



- 7 Välj **Erhåll en IP-adress automatiskt** om ditt nätverk stödjer DHCP. NC-7100w hämtar då automatiskt IP-adressinformationen från ditt nätverk.

Välj **Ställ in en statisk IP-adress** om du vill ange IP-adressinställningarna för NC-7100w manuellt, och ange de nödvändiga IP-adressinställningarna för ditt nätverk.

Klicka på **Nästa** när du har gjort ditt val. Guiden söker då efter tillgängliga trådlösa nätverk.

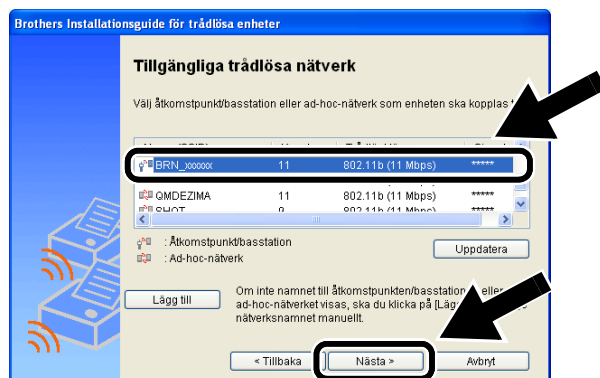


NC-7100w stödjer APIPA-protokollet (Automatic Private IP Addressing). Om det inte går att få tillgång till en DHCP-server, kommer NC-7100w automatiskt att tilldela en IP-adress från intervallet 169.254.1.0 till 169.254.254.255.



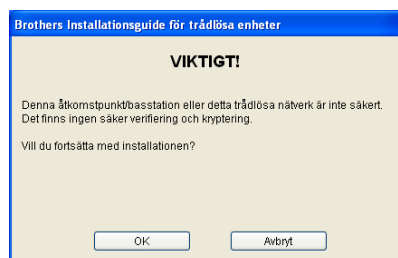
Vi rekommenderar att du tar kontakt med din nätverksadministratör, om du är osäker på vad som är korrekta IP-adressinställningar.

- 8 En lista över hittade trådlösa nätverk visas. Välj den åtkomstpunkt/basstation eller det Ad-hoc-nätverk som du vill associera NC-7100w med, och klicka på **Nästa**.



Om åtkomstpunkten/basstationen eller Ad-hoc-nätverket inte visas i listan, kan du lägga till den/det genom att klicka på **Lägg till**. Följ instruktionerna på skärmen om att ange SSID- och kanalnummer.

- 9 Om nätverket inte är konfigurerat för verifiering och kryptering, kommer skärmbilden nedan att visas. Klicka på **OK** för att fortsätta med installationen. Gå till **Steg 11**.



- 10 När du konfigurerar din trådlösa Brother-enhet, måste du säkerställa att den är konfigurerad så att den matchar inställningarna för verifiering och kryptering hos existerande trådlösa nätverk. Välj **Verifieringsmetod** och **Krypteringsläge** från rullgardinslistorna i varje inställningsruta, om ditt nätverk är konfigurerat för verifiering och kryptering. Klicka sedan på **Nätverksnyckel** och på **Nästa**.



### Verifieringsmetoder:

Verifiering används för att identifiera varje trådlös enhet som försöker få åtkomst till nätverket.

#### Öppet system

Trådlösa enheter får åtkomst till nätverket utan verifiering.

#### Delad nyckel (endast i infrastrukturläge)

En hemlig nyckel som har bestämts i förväg delas av alla enheter som får åtkomst till det trådlösa nätverket.

### Krypteringsmetoder:

Kryptering används för att skydda data. NC-7100w stödjer WEP-kryptering.

#### Ingen

Ingen krypteringsmetod används.

#### WEP

Då WEP (Wired Equivalent Privacy) används, skickas och mottas data med hjälp av en säker nyckel.

### Nätverksnyckel:

Det finns vissa regler för de olika säkerhetsmetoderna:

#### Öppet system/delad nyckel med WEP

Ange den WEP-nyckel som ska användas för åtkomst till nätverket. Denna nyckel utgörs av ett 64-bitars eller 128-bitars värde som måste anges i ett ASCII- eller HEXADECIMAL-format.

##### ■ 64 (40) bitar ASCII

Använder 5 texttecken, t.ex. "Hello" (som är skiftlägeskänsligt).

##### ■ 64 (40) bitar Hexadecimal

Använder 10 siffror med hexadecimala data, t.ex. "71f2234aba".

##### ■ 128 (104) bitar ASCII

Använder 13 texttecken, t.ex. "Wirelesscomms" (som är skiftlägeskänsligt).

##### ■ 128 (104) bitar Hexadecimal

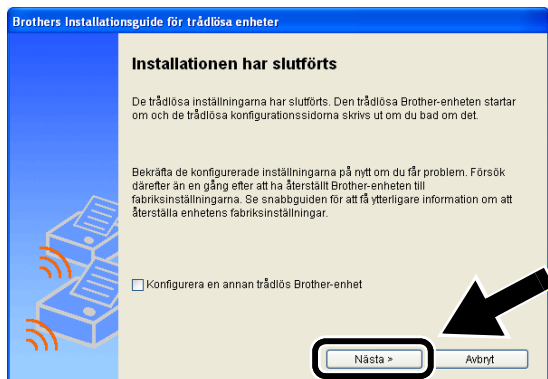
Använder 26 siffror med hexadecimala data, t.ex. "71f2234ab56cd709e5412aa3ba".

- 11 Klicka på **Nästa** för att skicka inställningarna till NC-7100w.





- 12 Klicka på **Nästa** när skärmen Installationen har slutförts visas.



- 13 Återställ de trådlösa inställningarna för din dator tillbaka till originalinställningarna, med hjälp av den information som du skrev ner i Steg 2. Klicka på **Avsluta**.



Du kan även konfigurera NC-7100w från skrivarens kontrollpanel, eller genom att använda BRAdmin-verktygen eller en webbläsare. Se Bilaga B i bruksanvisningen för nätverksanvändare till NC-7100w, för mer information.

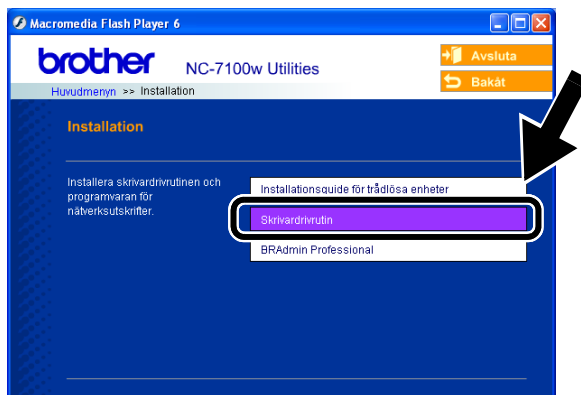
## Steg 4

### Installera skrivardrivrutinen och programvaran för nätverksutskrift

Du behöver installera skrivardrivrutinen och programvaran för nätverksutskrift, och konfigurera dem för den trådlösa nätverksanslutningen för skrivaren. Följ stegen nedan.

(För användare av Mac OS® X 10.1 till 10.3) Gå till Steg 3 om du redan har skrivardrivrutinen installerad på datorn.

- 1 Klicka på **Skrivardrivrutin**.



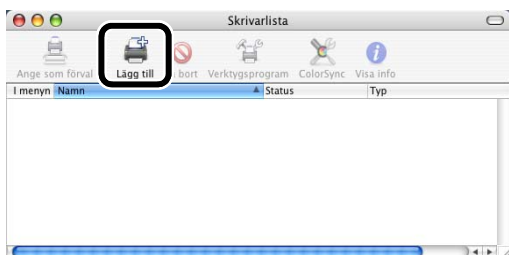
- 2 (För användare av Windows®) Se sidorna 19–23 i **skrivarsnabbguiden** för information om de återstående stegen. (För användare av Mac OS® X 10.1 till 10.3) Följ instruktionerna på skärmen.

**OK!** För användare av Windows®: Installationen har slutförts.

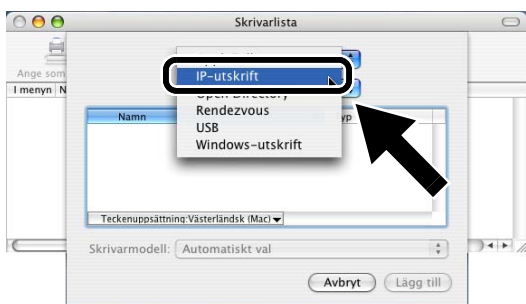
För användare av  
Mac OS® X 10.1 till 10.3

- 3 Välj **Program** i **Gå**-menyn. Öppna mappen **Verktogsprogram** och därefter symbolen **Utskriftskontroll**.

#### 4 Klicka på **Lägg till**.



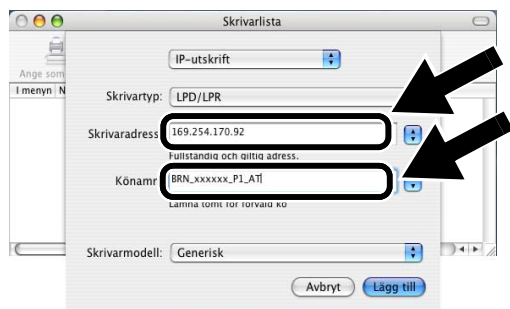
#### 5 Markera **IP-utskrift**.



#### För användare av Mac® OS X 10.2.4 eller senare:

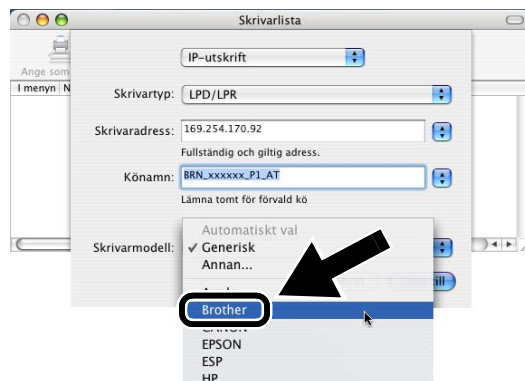
Om du vill ansluta skrivaren med hjälp av funktionerna för enkel nätverkskonfiguration i Apple® Mac OS® X, ska du välja Rendezvous och därefter **HL-6050D\_DN series**. Installationen har slutförts.

#### 6 Ange skrivarens TCP/IP-adress i rutan för **Skrivaradress**. Ange BRN\_XXXXXX\_P1\_AT, om du inte använder standardkön.

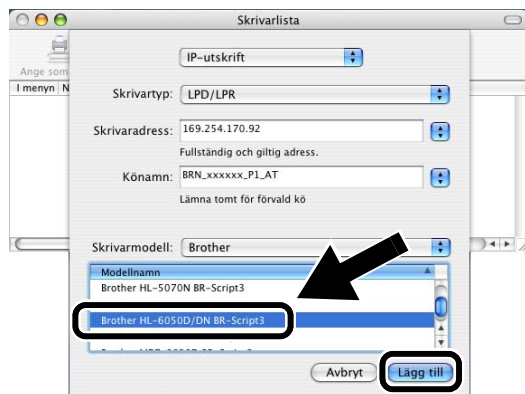


xxxxxx är de sista sex siffrorna i MAC-adressen. Du kan hitta MAC-adressen genom att skriva ut nätverkskonfigurationssidan. Se Övrig information i den här snabbguiden för information om hur du skriver ut nätverkskonfigurationssidan.

#### 7 Markera **Brother** i rullgardinslistan **Skrivarmodell**.



#### 8 Välj **HL-6050D/DN BR-Script3**, och klicka sedan på **Lägg till**.



**Installationen har slutförts.**

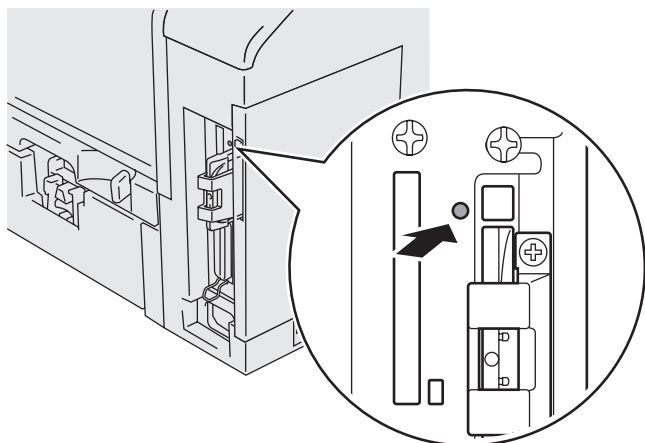


Du kan hitta TCP/IP-adressen genom att skriva ut nätverkskonfigurationssidan. Se Övrig information i den här snabbguiden för information om hur du skriver ut nätverkskonfigurationssidan.

## Övrig information

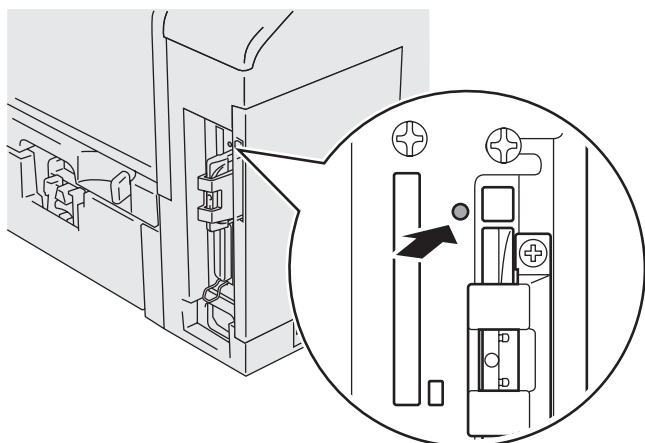
### Skriva ut en nätverkskonfigurationssida

Om du vill skriva ut en nätverkskonfigurationssida ska du använda en kulspetspenna med tunn spets för att trycka ner nätverkstestknappen på skrivaren i **mindre** än fem sekunder.

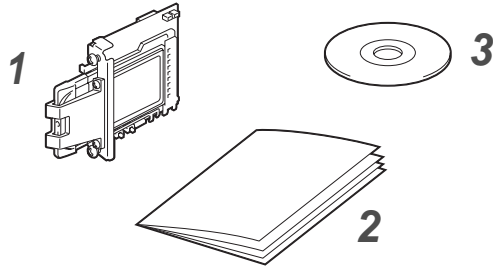


### Återställa de ursprungliga fabriksinställningarna

Om du vill återställa skrivarservern till de ursprungliga fabriksinställningarna (varvid man återställer all information som t.ex. lösenord och IP-adress), ska du hålla ner nätverkstestknappen i **mer** än fem sekunder.

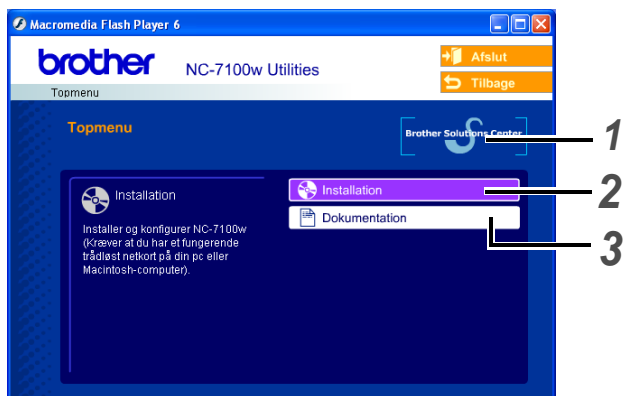


# Kassens indhold



- 1 NC-7100w trådløst printernetkort
- 2 Hurtig installationsanvisning
- 3 Cd-rom (inklusive installationssoftware og brugsanvisning til netværk, NC-7100w)

# Hvad indeholder cd-rom'en



- 1 **Brother Solutions Center**  
Brother Solutions Center (<http://solutions.brother.com>) er stedet, hvor du kan finde alle de ressourcer, du måtte have brug for til din printer. Download de seneste drivere og hjælpeprogrammer til dine printere, læs de ofte stillede spørgsmål og tip til problemløsning, eller lær mere om udskrivningsløsninger.
- 2 **Installation**  
Du kan se Installationsguide til trådløs enhed, som fører dig gennem alle trinene i printernetkortets konfiguration. Du har også mulighed for at installere printerdriveren og BRAdmin Professional.

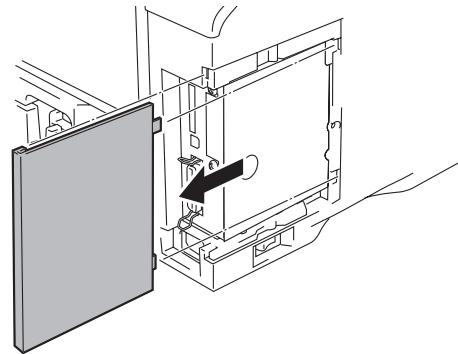
- 3 **Dokumentation**  
Se Brugsanvisning til netværk, NC-7100w, og Hurtig installationsanvisning i PDF-format.

# Installation af printernetkortet

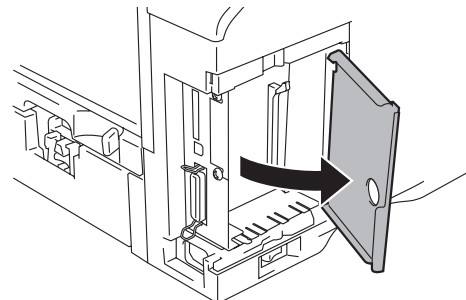
## Trin 1

### Sådan installerer du printernetkortet

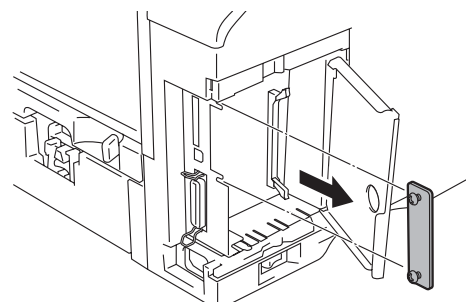
- 1 Afbryd strømmen til printeren, og tag strømkablet ud. Afmonter printerens interfacekabel.
- 2 Skyd kabinetsidelåget til side, og fjern det.



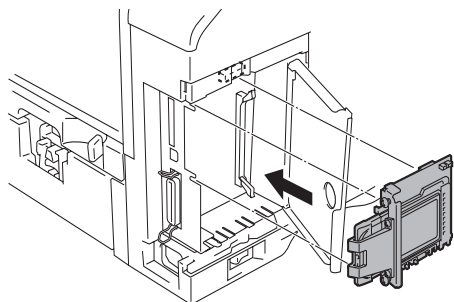
- 3 Åbn adgangslåget til interface.



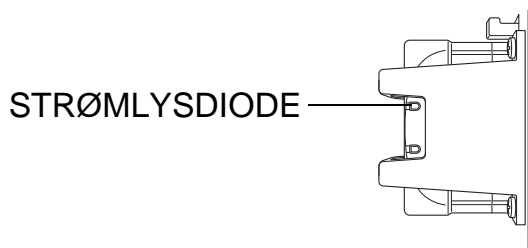
- 4 Løsn de to skruer, og fjern derefter netværkskortpladen.



- 5** Sæt NC-7100w-printernetkortets stik ind i hoved-controllerkortet. Sørg for at de to skruer sidder ud for printerens indhak, og fastgør det derefter med de to skruer.



- 6** Luk adgangslåget til interface.  
**7** Sæt kabinetsidelåget på igen.  
**8** Slut strømkablet til stikkontakten igen, og tænd på afbryderen.  
**9** Sørg for, at printernetkortets STRØMLYSDIODE er aktiveret.



- 10** Udskriv en netværkskonfigurationsside, og sørg for, at IP-adressen er indstillet til 169.254.x.x (hvor x.x. angiver tal mellem 1 og 254). Hvis IP-adressen endnu ikke er initialiseret, skal du vente op til fem minutter og herefter udskrive endnu en netværkskonfigurationsside.



*Se Andre oplysninger i denne Hurtig installationsanvisning for at få oplyst, hvordan du skal udskrive netværkskonfigurationssiden.*

## Trin 2

### Ændring af computerens trådløse indstillinger for konfiguration af NC-7100w

Før du kan bruge printerens i et trådløst netværk, skal det trådløse printernetkort NC-7100w konfigureres for at kunne svare til din netværkskonfiguration.

For at kunne konfigurere NC-7100w fra en trådløs computer på dit netværk, skal du midlertidigt ændre dine nuværende trådløse indstillinger. Før du ændrer din computers nuværende trådløse indstillinger, anbefaler vi, at du noterer dig dine nuværende trådløse indstillinger ved at bruge diagrammet til højre. Efter Trin 3 skal du vende tilbage til disse indstillinger.



*Vi anbefaler, at du kontakter din netværksadministrator, hvis du har behov for hjælp med din computers trådløse indstillinger.*

#### Computerens nuværende trådløse indstillinger

Punkt	Nuværende indstilling
Kommunikationsmode (Infrastruktur / Ad hoc)	
Netværksnavn (SSID)	
Kanal: (1-14)	
Kryptering: (INGEN / WEP / Andet)	
Kryptering, kodestørrelse og -type: (64 bit, 128 bit / ASCII, HEX / Andet)	
Krypteringsnøgle:	

For at kunne kommunikere med det ukonfigurerede printernetkort, NC-7100w, skal du ændre din computers trådløse indstillinger til:

**Kommunikationsmode: Ad hoc**  
(kanal 11)

**Netværksnavn (SSID): SETUP**  
(Forskæl på store og små bogstaver)

**Kryptering: Ingen**

**Windows® 98/Me/2000 og  
Windows NT® 4.0-brugere**

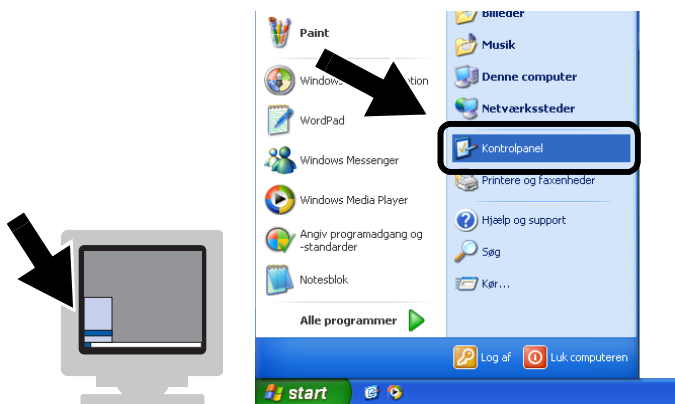
Se instruktionerne fra producenten af dit trådløse kort for at ændre de trådløse indstillinger. Gå herefter til *Trin 3 Konfiguration af printernetkort.*

Gå videre til Trin 3

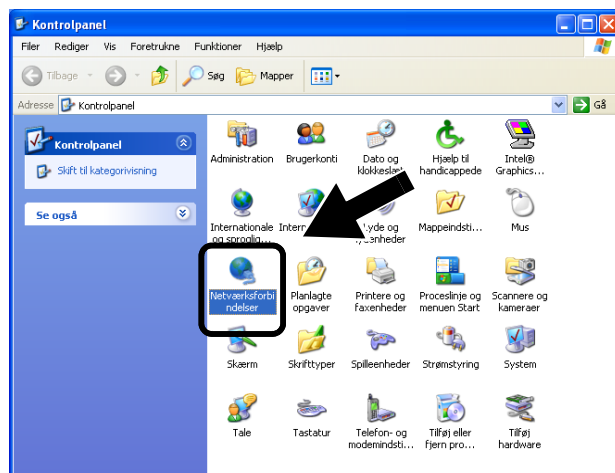
Hvis du bruger Windows® XP eller Mac OS® X 10.1 til 10.3, og du benytter dets indbyggede trådløse Ethernet-netkort, skal du følge disse trin for hvert operativsystem.

**Windows® XP-brugere**

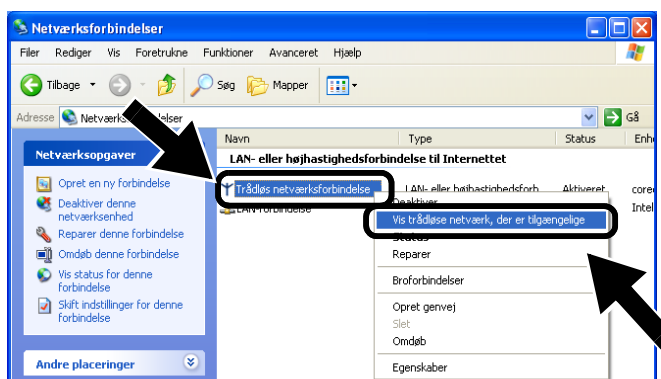
**1** Klik på **Start** og derefter på **Kontrolpanel**.



**2** Klik på ikonet **Netværksforbindelser**.



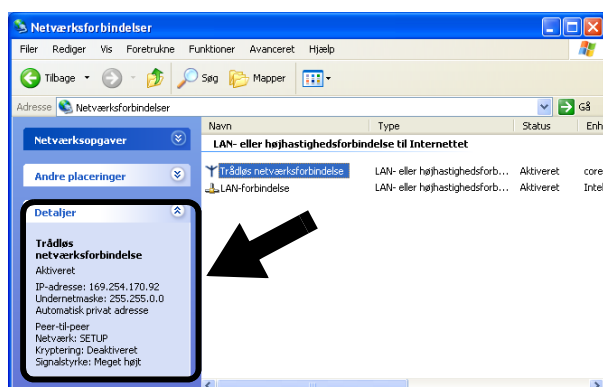
**3** Vælg og højreklik på **Trådløs netværksforbindelser**. Klik på **Vis trådløse netværk, der er tilgængelige**.



**4** Du kan se Brothers trådløse printernetkort i feltet **tilgængelige trådløse netværk**. Vælg **SETUP**, og kontroller afkrydsningsfeltet **Tillad, at jeg opretter forbindelse...** Klik på **Opret forbindelse**.



- 5 Kontroller statussen for det trådløse netværk. Det kan tage nogle få minutter at ændre IP-adressen fra 0.0.0.0 til 169.254.x.x, som er vist på skærmen (hvor x.x er tal mellem 1 og 254).



Hvis det trådløse Brother printernetkort, du ønsker at vælge, ikke er anført, skal du gøre følgende:

- 1 Flyt printeren med det trådløse printernetkort tættere på computeren, nulstil printernetkortet, og prøv igen.
- 2 Genindstil printernetkortet til dets fabriksindstillingstilstand, og prøv igen. Se Andre oplysninger i denne Hurtig installationsanvisning for at få oplyst, hvordan du skal genindstille til fabriksindstillingstilstand.
- 3 Se kapitel 10 i brugsanvisningen til netværk, NC-7100w, på den medfølgende cd-rom.

Gå videre til Trin 3

## For brugere af Mac OS® X 10.1 til 10.3

- 1 Klik på ikonet for AirPort status, og vælg **Åbn Internetopkald**.



- 2 Klik på netværksfanen for at se de trådløse enheder, der er tilgængelige. Du kan se Brothers trådløse printernetkort i **Netværk**. Vælg **SETUP**.



- 3 Det trådløse netværk er nu tilsluttet.





Hvis det trådløse Brother-printernetkort, du ønsker at vælge, ikke er anført, skal du gøre følgende:

- 1 Flyt printeren med det trådløse printernetkort tættere på computeren, nulstil printernetkortet, og prøv igen.
- 2 Nulstil printernetkortet til dets fabriksindstillinger, og prøv igen. Se Andre oplysninger i denne Hurtig installationsanvisning for at få oplyst, hvordan du skal genindstille til fabriksindstillinger.
- 3 Se kapitel 10 i brugsanvisningen til netværk, NC-7100w, på den medfølgende cd-rom.

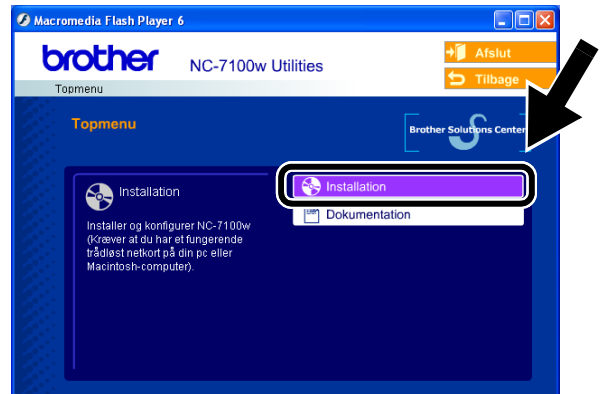
## Trin 3

### Konfigurerer udskriftsserver

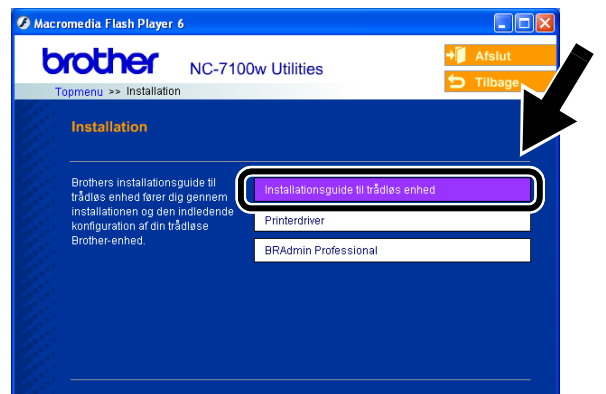
- 1 Indsæt cd-rom'en i cd-rom-drevet. (For Windows® brugere) Åbningskærm-billedet vises automatisk. (For Mac OS® X 10.1 to 10.3-brugere) Dobbeltklik på **NC7100w** -ikonet på din Macintosh®, og dobbeltklik herefter på **Start her** -ikonet.
- 2 Vælg dit sprog.



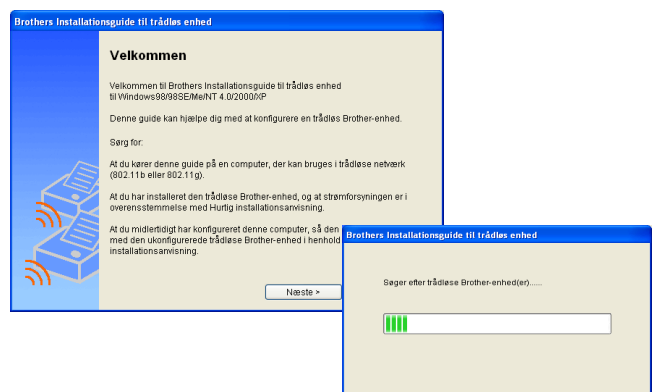
- 3 Klik på **Installation**.



- 4 Klik på **Installationsguide til trådløs enhed**.



- 5 Gennemse **oplysningerne under Velkommen**, og når du er sikker på at have gennemført de nødvendige opgaver, skal du klikke på **Næste**.





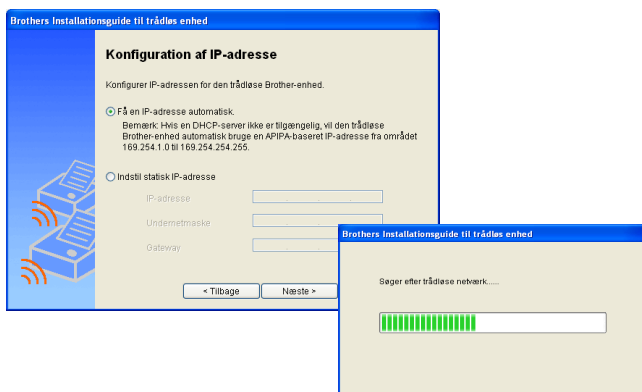
- 6 Søgningen opfører en liste over fundne trådløse Brother-enheder. Vælg den enhed, du ønsker at konfigurere, og klik på **Næste**.



- 7 Hvis dit netværk understøtter DHCP, skal du vælge **Få en IP-adresse automatisk**, så vil NC-7100w automatisk hente oplysninger om IP-adressen fra dit netværk.

Hvis du ønsker at indtaste IP-adresseindstillingerne for NC-7100w manuelt, skal du vælge **Indstil statisk IP-adresse** og indtaste IP-adresseindstillingerne til dit netværk.

Når du har foretaget dit valg, skal du klikke på **Næste**, så vil guiden søge efter tilgængelige trådløse netværk.

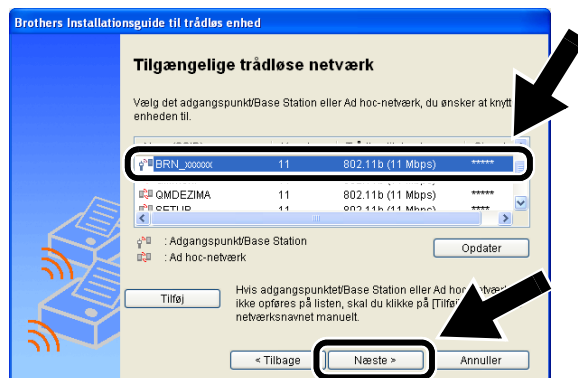


NC-7100w understøtter APIPA-protokollen (Automatic Private IP Addressing). Hvis en DHCP-server ikke er tilgængelig, vil NC-7100w automatisk tildele en IP-adresse fra området 169.254.1.0 til 169.254.254.255.



Vi anbefaler, at du kontakter din netværksadministrator, hvis du er i tvivl om de korrekte IP-adresseindstillinger.

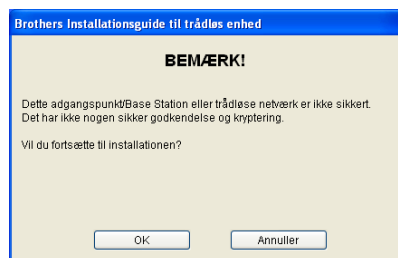
- 8 En liste over de fundne trådløse netværk vil blive vist. Vælg det Adgangspunkt/Base Station eller Ad hoc-netværk, du ønsker at knytte NC-7100w til, og klik på **Næste**.



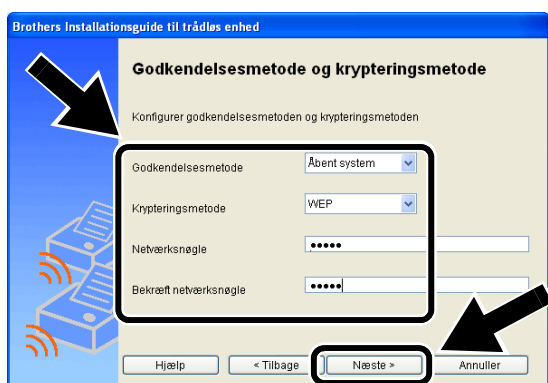
Hvis det Adgangspunkt/Base Station eller Ad hoc-netværk ikke opføres på listen, skal du manuelt tilføje det ved at klikke på **Tilføj**. Følg instruktionerne på skærmen for at indtaste SSID- og kanalnummeret.

- 9 Hvis dit netværk ikke er konfigureret til godkendelse og kryptering, vil følgende skærbillede blive vist. For at forsætte installationen, skal du klikke på **OK**.

Gå til Trin 11.



- 10 Når du konfigurerer din trådløse Brother-enhed, skal du sikre, at den konfigureres, så den svarer til godkendelses- og krypteringsindstillingerne på vores nuværende trådløse netværk. Hvis dit netværk er konfigureret til godkendelse og kryptering, skal du vælge **Godkendelsesmetode** og **Krypteringsmetode** fra rullelisten i hver indstillingsboks. Indtast herefter **Netværksnøgle**, og klik på **Næste**.



### Godkendelsesmetoder:

Godkendelse benyttes for at identificere den enkelte trådløse enhed, der forsøger at få adgang til netværket.

#### Åbent system

Trådløse enheder får adgang til netværket uden at behøve godkendelse.

#### Delt nøgle (Kun Infrastruktur-mode)

En hemmelig nøgle, der er afgjort på forhånd, og som alle enheder, der vil have adgang til netværket, deler.

### Krypteringsmetoder:

Kryptering bruges til at beskytte selve dataene. NC-7100w understøtter WEP-kryptering.

#### Ingen

Der bruges ingen krypteringsmetode.

#### WEP

Ved brug af WEP (Wired Equivalent Privacy) sendes og modtages dataene med en sikker nøgle.

### Netværksnøgle:

Der er visse regler for hver sikkerhedsmetode:

#### Åbent system / delt nøgle med WEP

Indtast den WEP-nøgle, der skal bruges til at få adgang til dit netværk. Denne nøgle er en 64-bit eller 128-bit værdi, der skal indtastes i ASCII- eller HEXADECIMAL-format.

#### ■ 64 (40) bits ASCII

Bruger 5 teksttegn.

f.eks. "Hello" (der skelnes mellem store og små bogstaver).

#### ■ 64 (40) bit Hexadecimal

Bruger 10 cifre af hexadecimale data.

f.eks. "71f2234aba"

#### ■ 128 (104) bits ASCII

Bruger 13 teksttegn.

f.eks. "Wirelesscomms" (der skelnes mellem store og små bogstaver).

#### ■ 128 (104) bit Hexadecimal

Bruger 26 cifre af hexadecimale data.

f.eks.

"71f2234ab56cd709e5412aa3ba"

- 11 Klik på **Næste** for at sende indstillingerne til NC-7100w.



- 12 Når meddelelsen Installationen er gennemført vises på skærmen, skal du klikke på **Næste**.



- 13 Ved brug af de oplysninger, du registrerede under Trin 2, skal du ændre din computers trådløse indstillinger til deres oprindelige indstillinger. Klik på **Afslut**.



Du kan også konfigurere NC-7100w fra printerens kontrolpanel, bruge BRAdmin-hjælpeprogrammerne eller en Webbrowser. Se Appendiks B til Brugsanvisning til NC-7100-w for at få flere oplysninger.

## Trin 4

### Installer printerdriveren og programmet til netværksudskrivning

Du skal installere printerdriveren og programmet til netværksudskrivning og konfigurere det til printerens trådløse netværksforbindelse. Følg trinene nedenfor.

(For brugere af Mac OS® X 10.1 til 10.3). Hvis du allerede har installeret en printerdriver på din computer, skal du gå til Trin 3.

- 1 Klik på **Printerdriveren**.



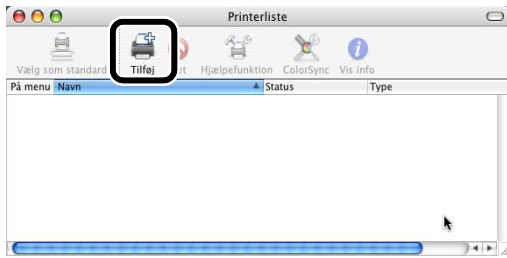
- 2 (For brugere af Windows®). Se side 19-23 i **Hurtig installationsanvisning af printer** for at se de øvrige trin. (For brugere af Mac OS® X 10.1 til 10.3). Følg instruktionerne vist på skærmen.

**OK!** For Windows®-brugere:  
Installationen er nu gennemført.

For brugere af  
Mac OS® X 10.1 til 10.3

- 3 Fra menuen **Flyt** vælg **Programmer**. Åbn mappen **Utilities**, og åbn herefter **Print Center**.

#### 4 Klik på **Tilføj**.



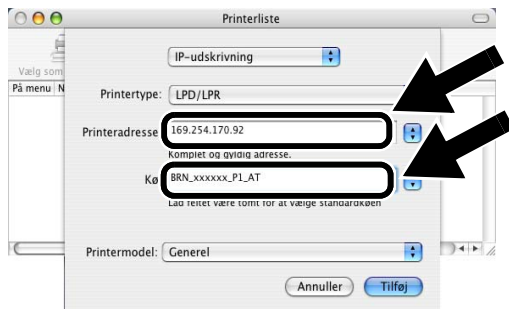
#### 5 Vælg **IP-udskrivning**.



#### For brugere af Mac® OS X 10.2.4 eller nyere:

Hvis du vil tilslutte printeren ved hjælp af funktionerne til enkel netværkskonfiguration i Apple® Mac OS® X, skal du vælge Rendezvous og derefter **HL-6050D\_DN series**. Installationen er nu gennemført.

#### 6 Indtast printerens TCP/IP-adresse i feltet **Printeradresse**. Hvis du ikke bruger standardudskriftskøen, skal du indtaste BRN\_XXXXXX\_P1\_AT.

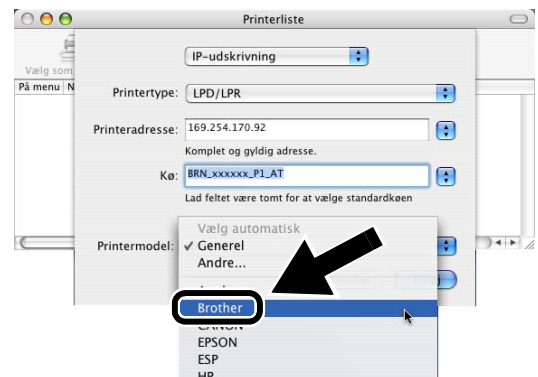


Du kan finde TCP/IP-adressen ved at udskrive netværkskonfigurationssiden. Se Andre oplysninger i denne Hurtig installationsanvisning for at få oplyst, hvordan du udskriver netværkskonfigurationssiden.



xxxxxx er de seks sidste cifre i MAC-adressen. Du kan finde MAC-adressen ved at udskrive netværkskonfigurationssiden. Se Andre oplysninger i denne Hurtig installationsanvisning for at få oplyst, hvordan du udskriver netværkskonfigurationssiden.

#### 7 Vælg **Brother** i **Printermodel** fra rullelisten.



#### 8 Vælg **HL-6050D/DN BR-Script3**, og klik herefter på **Tilføj**.

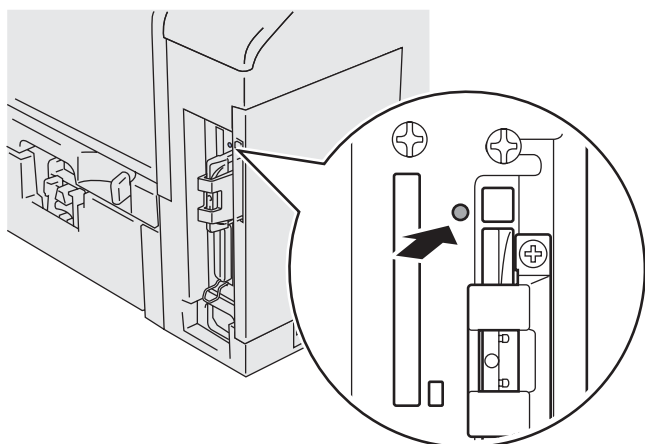


**OK!** Installationen er nu gennemført.

## Andre oplysninger

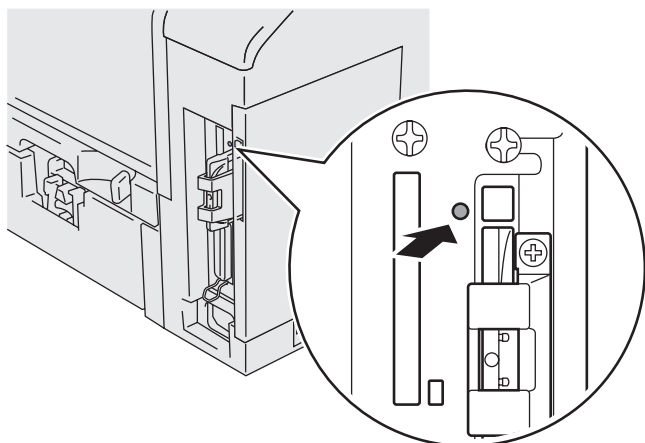
### Udskrivning af netværkskonfigurationsside

Du kan udskrive netværkskonfigurationssiden ved at bruge en tynd kuglepen til at holde netværkstesttasten nede i **mindre** end 5 sekunder.

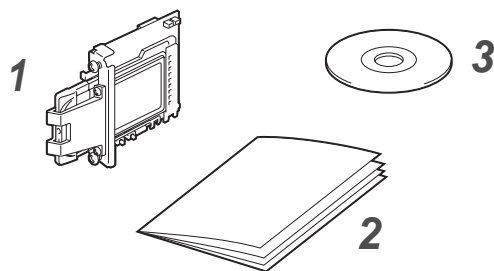


### Nulstilling til fabriksindstillinger

Hvis du vil nulstille printernetkortet til dets fabriksindstillinger (hvilket også nulstiller alle oplysninger som f.eks. adgangskode og IP-adresse), skal du bruge en tynd kuglepen til at trykke på og holde netværkstesttasten nede i **mere** end 5 sekunder.

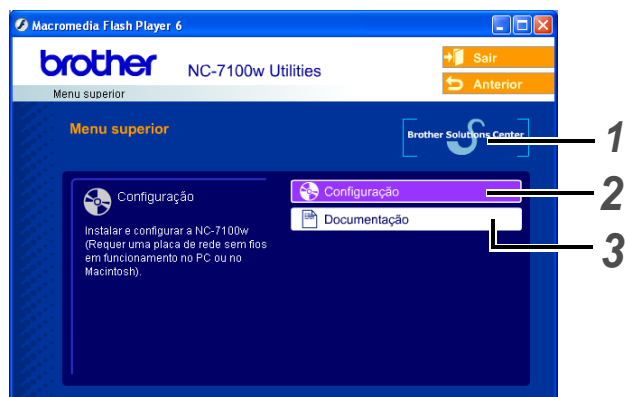


# Componentes da caixa



- 1 Servidor de impressão sem fios NC-7100w
- 2 Guia de configuração rápida
- 3 CD-ROM (incluindo software de configuração e Manual de utilização da rede da NC-7100w)

## O que é fornecido com o CD-ROM



- 1 Brother Solutions Center**  
O Brother Solutions Center (<http://solutions.brother.com>) é um recurso central para tudo o que esteja relacionado com a impressora. Transfira os controladores e utilitários mais recentes para a impressora, leia as secções de FAQ e as sugestões para resolução de problemas e saiba mais sobre soluções de impressoras.
- 2 Configuração**  
Pode ver o Assistente de configuração de dispositivos sem fios, que o auxiliará na configuração do servidor de impressão. Pode também instalar o controlador de impressora e o utilitário BRAdmin Professional.

### 3 Documentação

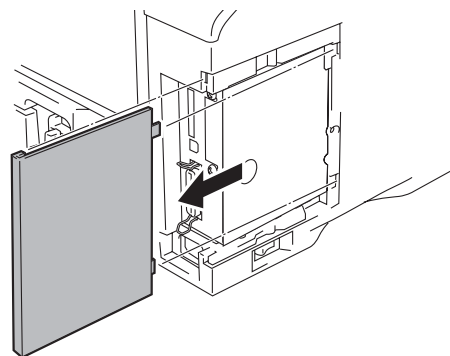
Ver o Manual de utilização da rede e o Guia de configuração rápida da NC-7100w no formato PDF.

## Configurar o servidor de impressão

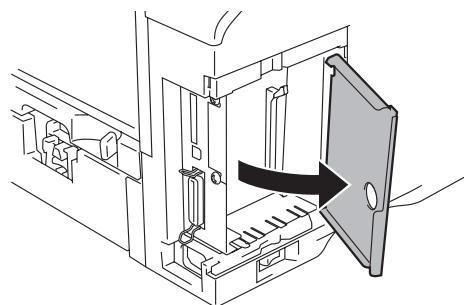
### Passo 1

## Instalar o servidor de impressão

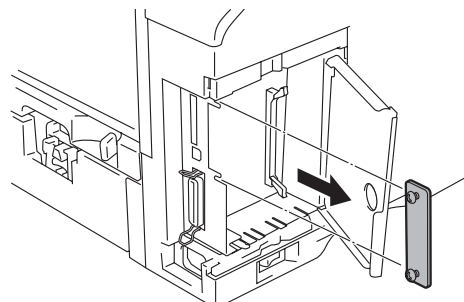
- 1 Desligue a impressora e, em seguida, desligue-a da corrente, se estiver ligada. Desligue o cabo de interface da impressora.
- 2 Deslize e remova a tampa lateral da impressora.



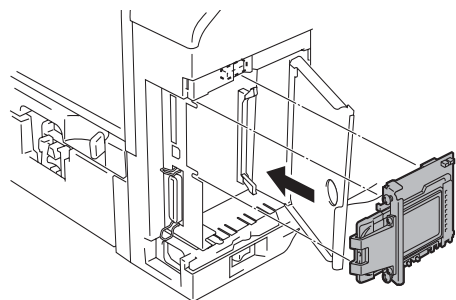
- 3 Abra a tampa de acesso à interface.



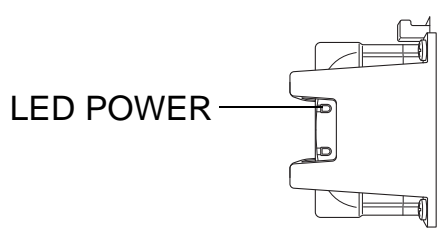
- 4 Solte os dois parafusos e remova a tampa do encaixe para a placa de rede.



- 5** Ligue o conector do servidor de impressão NC-7100w ao conector da placa controladora principal, alinhando os dois parafusos com a ranhura da impressora e, em seguida, aperte os dois parafusos.



- 6** Feche a tampa de acesso à interface.  
**7** Volte a colocar a tampa lateral.  
**8** Ligue novamente o cabo de alimentação e, em seguida, ligue a impressora.  
**9** Certifique-se de que o LED POWER do servidor de impressão está ligado.



- 10** Imprima uma página de configuração da rede e certifique-se de que o endereço IP foi definido como 169.254.x.x (em que x.x corresponde a qualquer número entre 1 e 254). Se o endereço IP ainda não tiver sido inicializado, aguarde cerca de 5 minutos e imprima outra página de configuração da rede.



*Consulte Outras informações, neste Guia de configuração rápida, para obter informações sobre como imprimir a página de configuração da rede.*

## Passo 2

### Alterar as definições de rede sem fios do seu computador para configurar a NC-7100w

Antes de poder utilizar a impressora numa rede sem fios, tem de configurar o servidor de impressão sem fios NC-7100w, para que corresponda à configuração da rede.

Para configurar a NC-7100w a partir de um computador sem fios da rede, tem de alterar temporariamente as definições actuais de rede sem fios. Antes de alterar as definições actuais de rede sem fios do seu PC, recomendamos que tome nota das definições actuais, utilizando a tabela que se segue. Terá de consultar estas definições no final do Passo 3.



*Recomendamos que contacte o administrador da rede se necessitar de ajuda com as definições de rede sem fios do seu computador.*

#### Definições actuais de rede sem fios do seu computador

Item	Definição actual
Modo de comunicações: (Infra-estrutura/Ad-hoc)	
Nome da rede (SSID)	
Canal: (1-14)	
Encriptação: (NENHUM/WEP/Outro)	
Tamanho e tipo da chave de encriptação: (64 bits, 128 bits/ASCII, HEX/Outro)	
Chave de encriptação:	

Para comunicar com a NC-7100w não configurada, altere as definições de rede sem fios do PC para:

- Modo de comunicações:** Ad-hoc  
(canal 11)
- Nome da rede (SSID):** SETUP  
(sensível a maiúsculas e minúsculas)
- Encriptação:** Nenhum

**Utilizadores de Windows®  
98/Me/2000, Windows NT® 4.0**

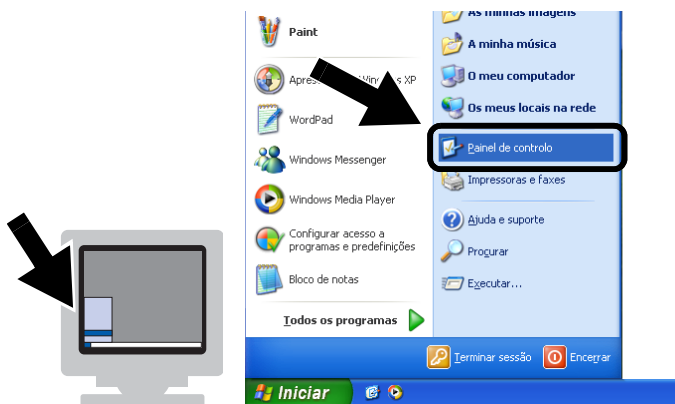
Consulte as instruções do fabricante da sua placa sem fios para alterar as definições de rede sem fios. Depois, siga para o *Passo 3 Configurar o servidor de impressão*.

**Siga para o Passo 3**

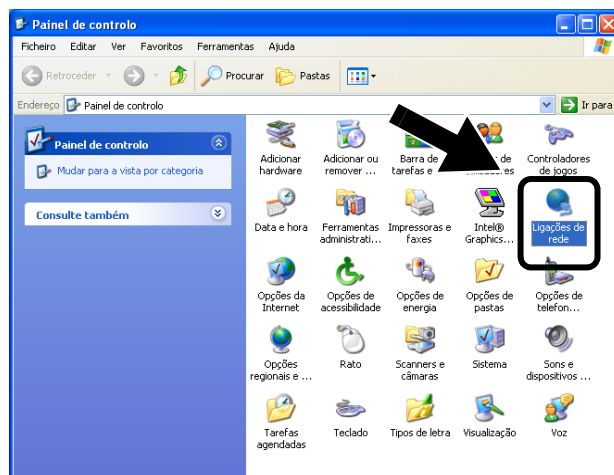
Se estiver a utilizar o sistema Windows® XP ou Mac OS® X 10.1 a 10.3 e estiver a usar as respectivas capacidades integradas de rede Ethernet sem fios, execute os seguintes passos, para cada sistema operativo.

**Utilizadores de Windows® XP**

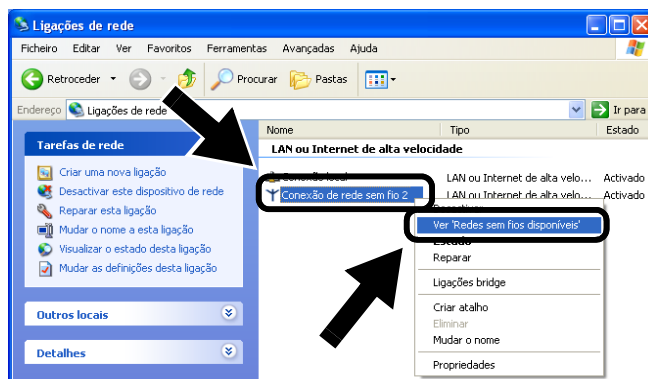
- 1** Clique em **Iniciar** e, depois, em **Painel de controlo**.



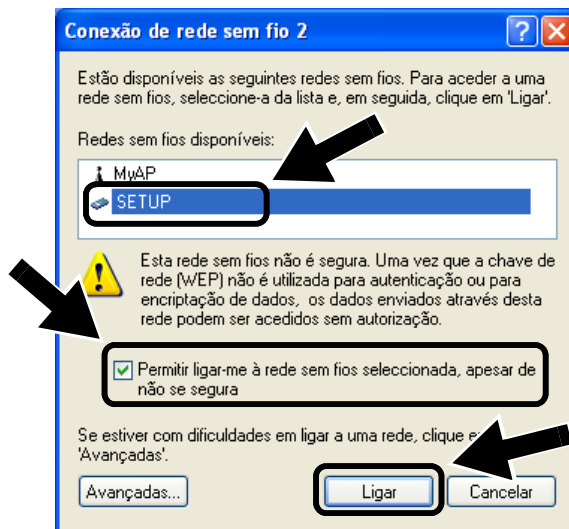
- 2** Clique no ícone **Ligações de rede**.



- 3** Seleccione e clique com o botão direito do rato em **Conexão de rede sem fio 2**. Clique em **Ver 'Redes sem fios disponíveis'**.

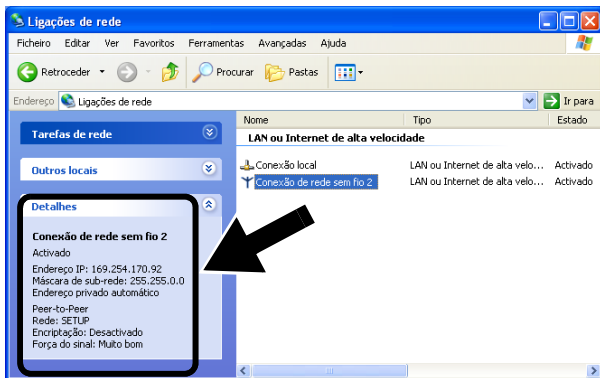


- 4** Pode ver o servidor de impressão sem fios da Brother na caixa **Redes sem fios disponíveis**. Selecciona **SETUP** e marque a caixa **Permitir ligar-me...**. Clique no botão **Ligar**.





- 5 Verifique o estado da ligação à rede sem fios. Poderá demorar alguns minutos até que o ecrã mostre o endereço IP alterado, de 0.0.0.0 para 169.254.x.x (em que x.x corresponde a qualquer número entre 1 e 254).



*Se o servidor de impressão sem fios da Brother que pretende seleccionar não estiver na lista, execute os seguintes passos:*

- 1 Coloque a impressora, com o servidor de impressão sem fios instalado, mais próxima do PC, ou reoriente o servidor de impressão, e tente novamente.
- 2 Reponha as predefinições de fábrica do servidor de impressão e tente novamente. Consulte Outras informações, neste Guia de configuração rápida, para obter informações sobre como repor as predefinições de fábrica.

**Siga para o Passo 3**

## Utilizadores de Mac OS® X 10.1 a 10.3

- 1 Clique no ícone de estado AirPort e seleccione **Open Internet Connect....**



- 2 Clique no separador Network, para ver os dispositivos de rede disponíveis. Pode ver o servidor de impressão sem fios da Brother na opção **Network**. Seleccione **SETUP**.



- 3 A rede sem fios está, agora, correctamente configurada.





Se o servidor de impressão sem fios da Brother que pretende seleccionar não estiver na lista, execute os seguintes passos:

- 1 Coloque a impressora, com o servidor de impressão sem fios instalado, mais próxima do PC, ou reorienta o servidor de impressão, e tente novamente.
- 2 Reponha as predefinições de fábrica do servidor de impressão e tente novamente. Consulte Outras informações, neste Guia de configuração rápida, para obter informações sobre como repor as predefinições de fábrica.
- 3 Consulte o Capítulo 10 do Manual de utilização da rede da NC-7100w, incluído no CD-ROM fornecido com a NC-7100w.

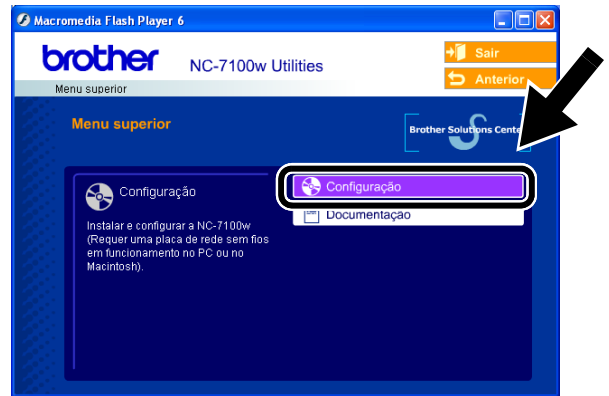
## Passo 3

### Configurar o servidor de impressão

- 1 Coloque o CD-ROM na unidade do CD-ROM.  
(Utilizadores de Windows®) O ecrã inicial aparecerá automaticamente.  
(Utilizadores de Mac OS® X 10.1 a 10.3) Clique duas vezes no ícone **NC7100w** do ambiente de trabalho do Macintosh® e, em seguida, clique duas vezes no ícone **Start Here**.
- 2 Selecciona o idioma pretendido.



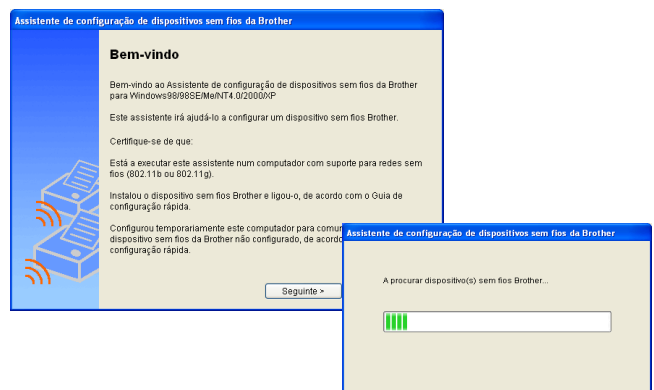
- 3 Clique em **Configuração**.



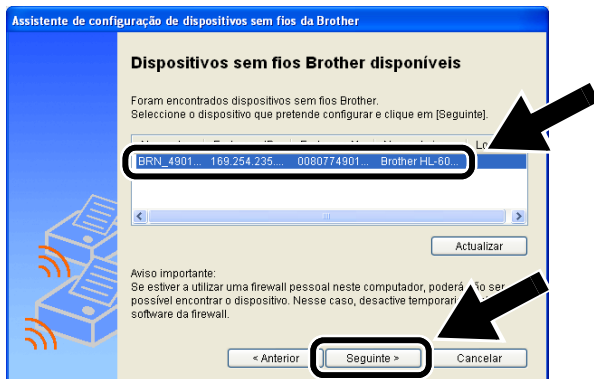
- 4 Clique em **Assistente de configuração de dispositivos sem fios**.



- 5 Leia as informações da caixa **Bem-vindo** e, quando tiver executado as tarefas necessárias, clique em **Seguinte**.



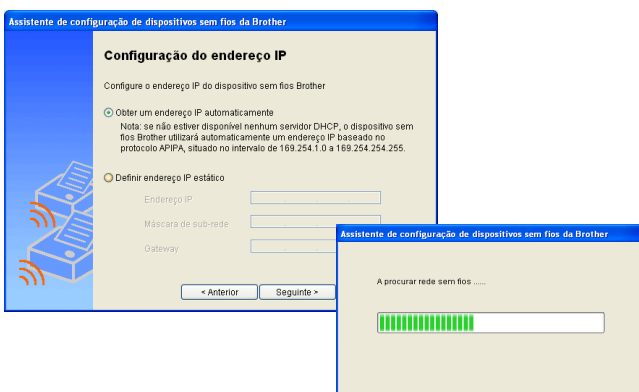
- 6 A pesquisa resultará na apresentação de uma lista de dispositivos sem fios Brother encontrados. Selecione o dispositivo que pretende configurar e clique em **Seguinte**.



- 7 Se a sua rede suportar o protocolo DHCP, selecione **Obter um endereço IP automaticamente** para que a NC-7100w obtenha automaticamente as informações sobre o endereço IP, a partir da rede.

Se quiser introduzir manualmente as definições de endereço IP da NC-7100w, selecione **Definir endereço IP estático** e introduza as definições de endereço IP necessárias para a rede.

Depois de efectuar as selecções pretendidas, clique em **Seguinte** para que o assistente procure redes sem fios disponíveis.

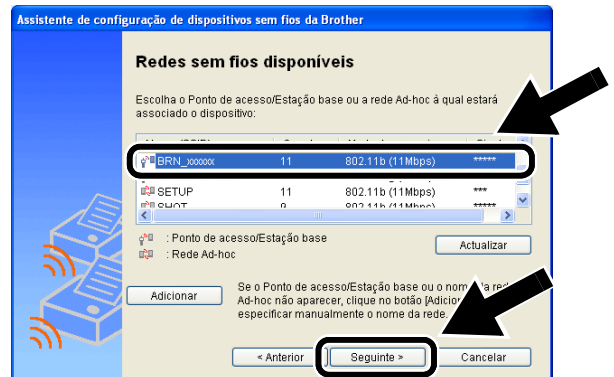


A NC-7100w suporta o protocolo Automatic Private IP Addressing (APIPA). Se não estiver disponível nenhum servidor DHCP, a NC-7100w atribuirá automaticamente um endereço IP, entre 169.254.1.0 e 169.254.254.255.



Recomendamos que contacte o administrador da rede se não souber quais são as definições correctas de endereço IP.

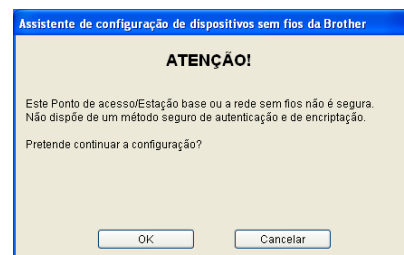
- 8 Será apresentada uma lista das redes sem fios encontradas. Selecione o Ponto de acesso/Estação base ou a rede Ad-hoc a que pretende associar a NC-7100w e clique em **Seguinte**.



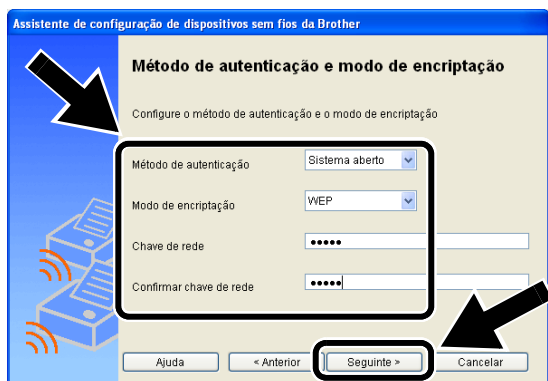
Se o Ponto de acesso/Estação base ou a rede Ad-hoc não aparecer na lista, poderá adicioná-la manualmente clicando em **Adicionar**. Siga as instruções apresentadas no ecrã para introduzir o SSID e o número do canal.

- 9 Se a sua rede não estiver configurada para Autenticação nem para Encriptação, será apresentado o seguinte ecrã. Para continuar a instalação, clique em **OK**.

Siga para o **Passo 11**.



- 10 Ao configurar o dispositivo sem fios Brother, tem de garantir que o faz de forma a corresponder às definições de Autenticação e de Encriptação da rede sem fios já existente. Se a rede estiver configurada para Autenticação e Encriptação, seleccione o **Método de autenticação** e o **Modo de encriptação** nos menus pendentes de cada caixa. Em seguida, introduza a **Chave de rede** e clique em **Seguinte**.



### Métodos de autenticação:

A autenticação é utilizada para identificar cada dispositivo sem fios que tente aceder à rede.

#### Sistema aberto

Os dispositivos sem fios podem aceder à rede sem autenticação.

#### Chave partilhada (apenas no modo de infra-estrutura)

Uma chave secreta pré-determinada é partilhada por todos os dispositivos que irão aceder à rede sem fios.

### Métodos de encriptação:

A encriptação é utilizada para proteger os dados em si. A NC-7100w suporta o método de encriptação WEP.

#### Nenhum

Não é utilizado nenhum método de encriptação.

#### WEP

Com o WEP (Wired Equivalent Privacy), os dados são transmitidos e recebidos através de uma chave segura.

### Chave de rede:

Cada método de segurança tem um determinado conjunto de regras:

#### Sistema aberto/chave partilhada com WEP

Introduza a chave WEP que será utilizada para aceder à rede. Esta chave é um valor de 64 bits ou de 128 bits, que deve ser introduzido no formato ASCII ou HEXADECIMAL.

#### ■ ASCII de 64(40) bits

Utiliza 5 caracteres de texto.

ex: "Hello" (sensível a maiúsculas e minúsculas)

#### ■ Hexadecimal de 64 (40) bits

Utiliza 10 dígitos de dados hexadecimais.

ex: "71f2234aba"

#### ■ ASCII de 128 (104) bits

Utiliza 13 caracteres de texto.

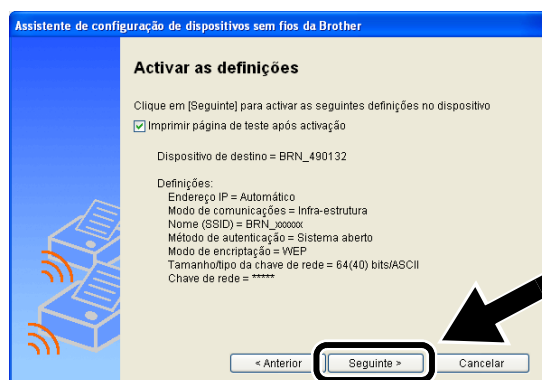
ex: "Wirelesscomms" (sensível a maiúsculas e minúsculas)

#### ■ Hexadecimal de 128 (104) bits

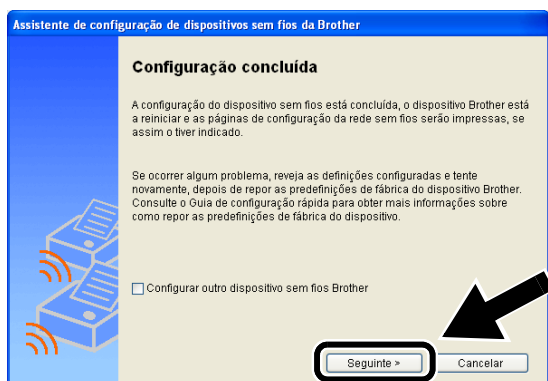
Utiliza 26 dígitos de dados hexadecimais.

ex: "71f2234ab56cd709e5412aa3ba"

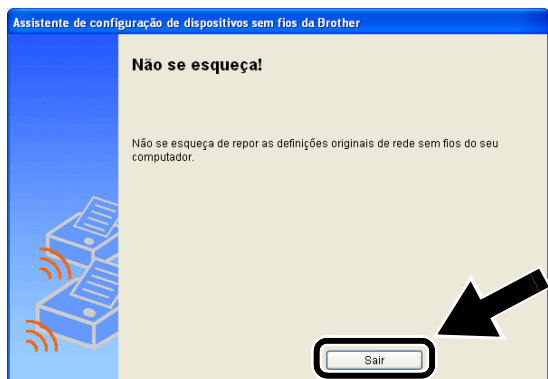
- 11 Clique em **Seguinte** para activar as definições na NC-7100w.



- 12 Quando o ecrã de Configuração concluída aparecer, clique em **Seguinte**.



- 13 Utilizando as informações registadas no Passo 2, reponha as definições originais de rede sem fios do seu computador. Clique em **Sair**.



Também pode configurar a NC-7100w a partir do painel de controlo da impressora, ou utilizando o utilitário BRAdmin ou um Web browser. Consulte o Anexo B do Manual de utilização da rede da NC-7100w para obter informações mais detalhadas.

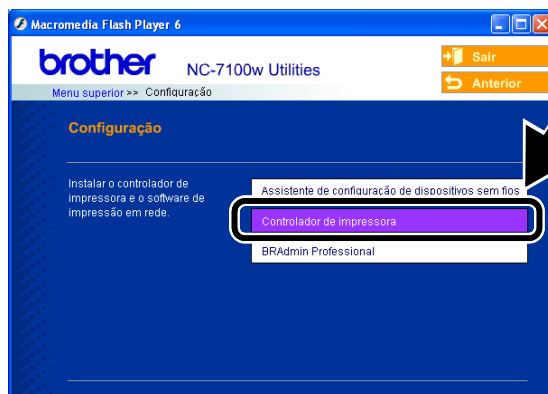
## Passo 4

### Instalar o controlador de impressora e o software de impressão em rede

É necessário instalar o controlador de impressora e o software de impressão em rede, e configurá-los para uma ligação em rede, sem fios, à impressora. Execute os seguintes passos.

(Utilizadores de Mac OS® X 10.1 a 10.3) Se já tiver instalado o controlador de impressora no computador, siga para o Passo 3.

- 1 Clique em **Controlador de impressora**.



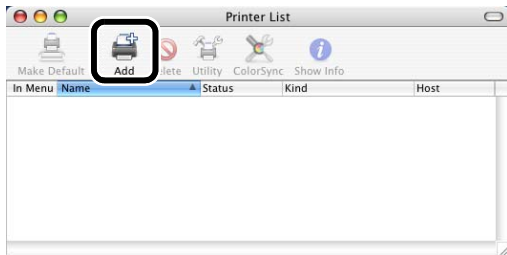
- 2 (Utilizadores de Windows®) Consulte a P19 a P23 do **Guia de configuração rápida da impressora** para saber quais os passos seguintes.  
(Utilizadores de Mac OS® X 10.1 a 10.3) Siga as instruções que aparecem no ecrã.

**OK!** Utilizadores de Windows®:  
A configuração está concluída.

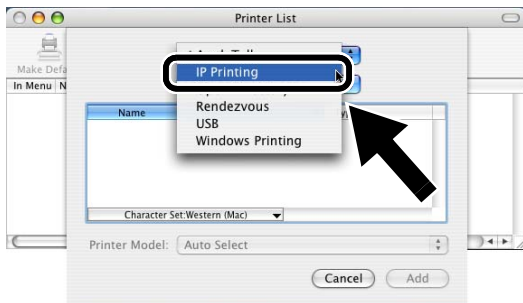
Utilizadores de  
Mac OS® X 10.1 a 10.3

- 3 Seleccione **Applications** no menu **Go**. Abra a pasta **Utilities** e, em seguida, abra o ícone **Print Center**.

#### 4 Clique em **Add**.



#### 5 Seleccione **IP Printing**.

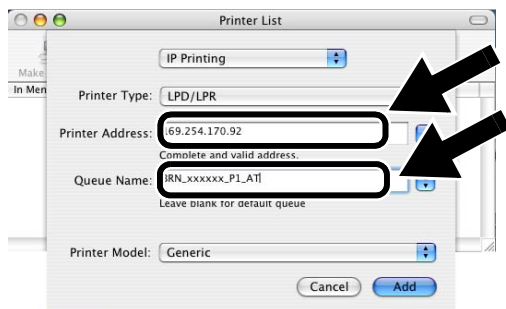


#### Utilizadores de Mac® OS X 10.2.4 ou superior:

Se quiser ligar a sua impressora utilizando a funcionalidade de Configuração de rede simples da Apple® no Mac OS® X, seleccione Rendezvous e, em seguida, **HL-6050D\_DN series**. A configuração está concluída.

#### 6 Introduza o endereço TCP/IP da impressora na caixa **Printer Address**.

Se não estiver a utilizar a fila predefinida, introduza **BRN\_XXXXXX\_P1\_AT**.

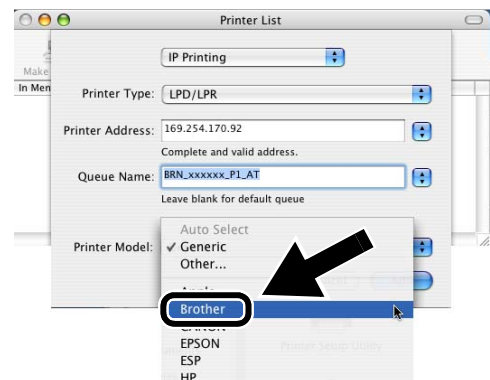


*Poderá saber o endereço TCP/IP imprimindo a página de configuração da rede. Consulte Outras informações, neste Guia de configuração rápida, para obter informações sobre como imprimir a página de configuração da rede.*

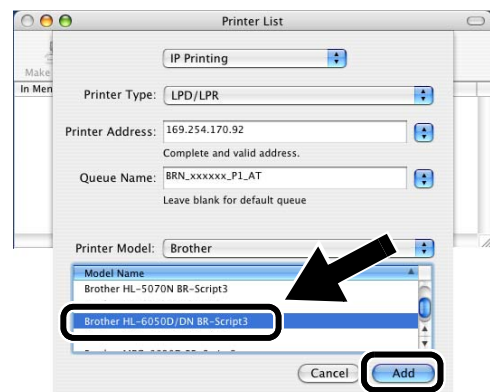


*xxxxxx corresponde aos seis últimos dígitos do endereço MAC. Poderá saber o endereço MAC imprimindo a página de configuração da rede. Consulte Outras informações, neste Guia de configuração rápida, para obter informações sobre como imprimir a página de configuração da rede.*

#### 7 Seleccione **Brother** na lista pendente da opção **Printer Model**.



#### 8 Seleccione **HL-6050D/DN BR-Script3** e clique em **Add**.

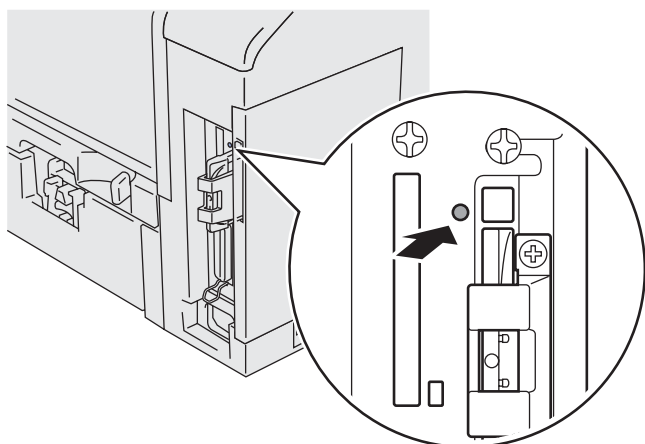


**A configuração está concluída.**

## Outras informações

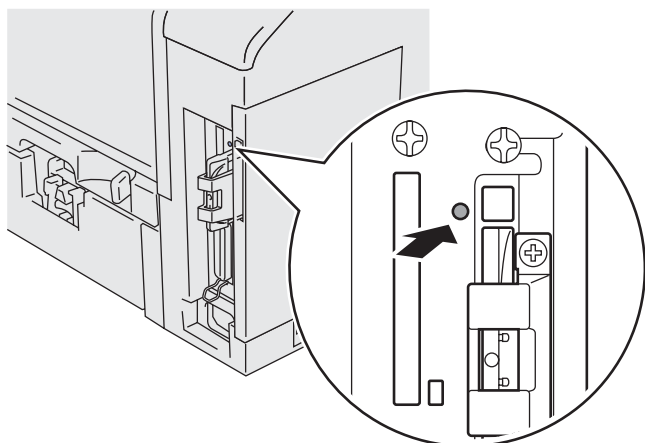
### Como imprimir uma página de configuração da rede

Para imprimir a página de configuração da rede, utilize uma caneta esferográfica para manter premido o botão de teste de rede da impressora durante **menos** de 5 segundos.



### Como repor a predefinição de fábrica de rede

Se pretende repor as definições do servidor da impressora para as predefinições de fábrica (repor todas as informações como, por exemplo, as informações de palavra-passe e do endereço IP) utilize uma caneta esferográfica para manter premido o botão de teste de rede durante **mais** de 5 segundos.



# Important Information: Regulations

## Federal Communications Commission (FCC) Declaration of Conformity (For USA)

---

Responsible Party: Brother International Corporation

100 Somerset Corporate Boulevard

Bridgewater, NJ 08807-0911, USA

Telephone: (908) 704-1700

declares, that the products

Product Name: Brother Network Card (BR-net)

Model Number: NC-7100w / NC-7100

(NC-7100 is a wireless LAN card which is installed in NC-7100w)

complies with Part 15 of the FCC Rules. Operation is subject to the following two conditions: (1) This device may not cause harmful interference, and (2) this device must accept any interference received, including interference that may cause undersired operation.

This equipment has been tested and found to comply with the limits for a Class B digital device, pursuant to Part 15 of the FCC Rules. These limits are designed to provide reasonable protection against harmful interference in a residential installation. This equipment generates, uses, and can radiate radio frequency energy and, if not installed and used in accordance with the instructions, may cause harmful interference to radio communications. However, there is no guarantee that interference will not occur in a particular installation. If this equipment does cause harmful interference to radio or television reception, which can be determined by turning the equipment off and on, the user is encouraged to try to correct the interference by one or more of the following measures:

- Reorient or relocate the receiving antenna.
- Increase the separation between the equipment and receiver.
- Connect the equipment into an outlet on a circuit different from that to which the receiver is connected.
- Consult the dealer or an experienced radio/TV technician for help.

### Important

Changes or modifications not expressly approved by Brother Industries, Ltd. could void the user's authority to operate the equipment.

## Industry Canada Compliance Statement Déclaration de conformité aux prescriptions (For Canada) (pour le Canada uniquement)

---

This Class B digital apparatus complies with Canadian ICES-003.

Cet appareil numérique de la classe B est conforme à la norme NMB-003 du Canada



# "EC" Declaration of Conformity

## Manufacturer

Brother Industries, Ltd.,  
15-1, Naeshiro-cho, Mizuho-ku,  
Nagoya 467-8561, Japan

Herewith declare that:

Products description: Network Card  
Product Name: NC-7100w

are in conformity with provisions of the Directives applied: Low Voltage Directive 73/23/EEC (as amended by 93/68/EEC) and the Electromagnetic Compatibility Directive 89/336/EEC (as amended by 91/263/EEC and 92/31/EEC and 93/68/EEC).

Standards applied:

Harmonized: LVD EN60950: 2000  
EMC EN55022:1998  
Class B  
EN55024:1998

Year in which CE marking was first affixed:  
2004

Issued by: Brother Industries, Ltd.

Date: 6 February, 2004

Place: Nagoya, Japan

Signature:

Takashi Maeda

Takashi Maeda  
Regulations Manager  
Quality Management Group  
Quality Management Dept.  
Information & Document  
Company

BROTHER INDUSTRIES, LTD.  
15-1, Naeshiro-cho,  
Mizuho-ku, Nagoya 467-8561,  
Japan  
Phone: +81 52 824 2337  
Fax: +81 52 821 4460

## Declaration of Conformity

We, Brother Industries, Ltd. of the above address, hereby declare, at our sole responsibility, that the following product conforms to the Essential Requirements of the Radio and Telecommunications Terminal Equipment Directive 1999/5/EC in accordance with the tests conducted to the appropriate requirements of the relevant standards, as listed herewith.

Product: Wireless LAN Card

Model / Type Number:  
NC-7100

Directive and Standards used:

Radio: EN300 328-1 V1.3.1 (2001-12)  
EN300 328-2 V1.2.1 (2001-12)  
EMC: EN301 489-1 V1.4.1 (2002-08)  
EN301 489-17 V1.2.1 (2002-08)  
LVD: EN60950: 2000

Year of affixing CE marking: 2004

Signature:

Takashi Maeda

Name: Takashi Maeda

Position: Regulations Manager,  
Quality Management Group,  
Information & Document Company

Date: January 21, 2004

.....  
Hereby, Brother Industries, Ltd., declares that NC-7100w is in compliance with the essential requirements and other relevant provisions of Directive 1999/5/EC.

Australia  
This equipment complies with Australian EMC requirement.



Australian Company Number: ACN 001 393 835

New Zealand  
This equipment complies New Zealand EMC requirement  
New Zealand Company Number of the supplier:  
BINZ 13243

# EU Konformitätserklärung

## Hersteller

Brother Industries, Ltd.,  
15-1, Naeshiro-cho, Mizuho-ku,  
Nagoya 467-8561, Japan

erklärt hiermit, dass:

Produktbeschreibung: Netzwerkkarte  
Produktname: NC-7100w

die Anforderungen der einschlägigen  
Richtlinien erfüllen:  
Niederspannungsrichtlinie 73/23/EWG  
(gemäß Änderungen 93/68/EWG) und  
Richtlinie über Elektromagnetische  
Kompatibilität 89/336/EWG (gemäß  
Änderungen 91/263/EWG, 92/31/EWG und  
93/68/EWG).

## Einschlägige Standards:

Harmonisiert: Niederspannungsrichtlinie  
EN60950: 2000  
EMV EN55022:1998  
Klasse B  
EN55024:1998

Erste Kennzeichnung mit dem CE-Zeichen:  
2004

Herausgeber: Brother Industries, Ltd.

Datum: 6. Februar 2004

Ort: Nagoya, Japan

Unterschrift:



Takashi Maeda  
Regulations Manager  
Qualitätssicherung  
Abt. Qualitätsmanagement  
Information & Document  
Company

BROTHER INDUSTRIES, LTD.  
15-1, Naeshiro-cho,  
Mizuho-ku, Nagoya 467-8561,  
Japan  
Telefon: +81 52 824 2337  
Fax: +81 52 821 4460

# Konformitätserklärung

Wir, Brother Industries, Ltd., Anschrift wie oben  
angegeben, erklären hiermit in eigener  
Verantwortung, dass das folgende Produkt den  
grundlegenden Anforderungen der Richtlinie  
1999/5/EG über Funkanlagen und  
Telekommunikationsendeinrichtungen entspricht.  
Die die Anforderungen betreffenden einschlägigen  
Standards wurden mittels der hierin aufgeführten  
Tests überprüft.

Produkt: Drahtlose LAN-Karte

Modell / Typennummer: NC-7100

Angewendete Richtlinien und Standards:

Funk: EN300 328-1 V1.3.1 (2001-12)  
EN300 328-2 V1.2.1 (2001-12)  
EMV: EN301 489-1 V1.4.1 (2002-08)  
EN301 489-17 V1.2.1 (2002-08)

Niederspannungsrichtlinie:  
EN60950: 2000

Jahr der Auszeichnung mit dem CE-Zeichen: 2004

Unterschrift:



Name: Takashi Maeda

Position: Regulations Manager,  
Quality Management Group,  
Information & Document Company

Datum: 21. Januar 2004

Hiermit erklärt Brother Industries, Ltd., dass sich  
dieser/diese/dieses NC-7100w in  
Übereinstimmung mit den grundlegenden  
Anforderungen und den anderen relevanten  
Vorschriften der Richtlinie 1999/5/EG befindet.

# Déclaration de conformité pour la CE

## Le fabricant

Brother Industries, Ltd.,  
15-1, Naeshiro-cho, Mizuho-ku,  
Nagoya 467-8561, Japon

déclare dans la présente que :

Descriptif du produit : Carte réseau  
Nom du produit : NC-7100w

est conforme aux dispositions des Directives appliquées : Directive en matière de basses tensions 73/23/EEC (telle que modifiée par 93/68/EEC) et Directive en matière de compatibilité électromagnétique 89/336/EEC (telle que modifiée par 91/263/EEC, 92/31/EEC et 93/68/EEC).

Normes respectées :

Harmonisées : LVD EN60950: 2000  
EMC EN55022:1998  
Classe B  
EN55024:1998

Année d'apposition du label CE : 2004

Délivré par : Brother Industries, Ltd.

Date : 6 février 2004

Lieu : Nagoya, Japon

Signature :

Takashi Maeda

Takashi Maeda  
Responsable de la  
réglementation  
Groupe Management de la qualité  
Service de gestion de la qualité  
Société Information & Document

BROTHER INDUSTRIES LTD.  
15-1, Naeshiro-cho,  
Mizuho-ku, Nagoya 467-8561,  
Japon  
Téléphone : +81 52 824 2337  
Fax : +81 52 821 4460

## Déclaration de conformité

Nous, soussignés Brother Industries, Ltd., résidant à l'adresse ci-dessus, déclarons par la présente et sous notre responsabilité exclusive, que le produit suivant est conforme aux principales exigences de la Directive 1999/5/EC des équipements terminaux de radiotélécommunications, en vertu des tests menés selon les exigences appropriées des normes pertinentes, listées dans la présente.

Produit : Carte LAN sans fil

Numéro du modèle / type : NC-7100

Directive et normes utilisées :

Radio: EN300 328-1 V1.3.1 (2001-12)  
EN300 328-2 V1.2.1 (2001-12)  
EMC: EN301 489-1 V1.4.1 (2002-08)  
EN301 489-17 V1.2.1 (2002-08)  
LVD: EN60950: 2000

Année d'apposition de la marque CE : 2004

Signature :

Takashi Maeda

Nom : Takashi Maeda

Poste : Responsable de la réglementation,  
Groupe Management de la qualité  
Société Information & Document

Date : 21 janvier 2004

-----  
Par la présente Brother Industries, Ltd. déclare que l'appareil NC-7100w est conforme aux exigences essentielles et aux autres dispositions pertinentes de la directive 1999/5/CE.

# “EG” Conformiteitsverklaring

## Producent

Brother Industries, Ltd.,  
15-1, Naeshiro-cho, Mizuho-ku,  
Nagoya 467-8561, Japan

Verklaren hierbij dat:

Omschrijving van product: Netwerkaart  
Productnaam: NC-7100w

voldoet aan de bepalingen in de van toepassing zijnde richtlijnen: de richtlijn inzake laagspanning 73/23/EEG (zoals geamendeerd door 93/68/EEG) en de richtlijn inzake elektromagnetische compatibiliteit 89/336/EEG (zoals geamendeerd door 91/263/EEG en 92/31/EEG en 93/68/EEG).

Toegepaste normen:

Geharmoniseerd: LVD EN60950: 2000  
EMC EN55022:1998  
Klasse B  
EN55024:1998

Jaar waarin CE-certificatie voor het eerst was toegekend: 2004

Uitgegeven door: Brother Industries, Ltd.

Datum: 6 februari 2004

Plaats: Nagoya, Japan

Handtekening:



Takashi Maeda  
Regulations Manager  
Quality Management Group  
Quality Management Dept.  
Information & Document  
Company

BROTHER INDUSTRIES, LTD.  
15-1, Naeshiro-cho,  
Mizuho-ku, Nagoya 467-8561,  
Japan  
Tel.: +81 52 824 2337  
Fax: +81 52 821 4460

# Conformiteitsverklaring

Wij, Brother Industries, Ltd., gevestigd aan het hierboven genoemde adres, verklaren hierbij, onder onze eigen verantwoordelijkheid, dat het volgende product voldoet aan de essentiële vereisten van de richtlijn inzake radio- en telecommunicatieapparatuur 1999/5/EG in overeenstemming met de tests die zijn uitgevoerd volgens de betreffende vereisten van de relevante normen, zoals hier genoemd.

Product: Draadloze LAN-kaart

Modelnummer/type: NC-7100

Gebruikte richtlijn en normen:

Radio: EN300 328-1 V1.3.1 (2001-12)  
EN300 328-2 V1.2.1 (2001-12)  
EMC: EN301 489-1 V1.4.1 (2002-08)  
EN301 489-17 V1.2.1 (2002-08)  
LVD: EN60950: 2000

Jaar waarin CE-certificatie werd toegekend: 2004

Handtekening:



Naam: Takashi Maeda

Functie: Regulations Manager,  
Quality Management Group,  
Information & Document Company

Datum: 21 januari 2004

Hierbij verklaart Brother Industries, Ltd. dat deze NC-7100w voldoet aan de essentiële eisen en de overige relevante bepalingen van richtlijn 1999/5/EG.

# Dichiarazione di conformità "CE"

## Il produttore

Brother Industries, Ltd.,  
15-1, Naeshiro-cho, Mizuho-ku,  
Nagoya 467-8561, Giappone

dichiara che:

Descrizione del prodotto: Scheda di rete  
Nome del prodotto: NC-7100w

è conforme alle disposizioni delle direttive vigenti: Direttiva apparecchi a bassa tensione 73/23/CEE (modificata dalla direttiva 93/68/CEE) e Direttiva sulla compatibilità elettromagnetica 89/336/CEE (modificata dalle direttive 91/263/CEE, 92/31/CEE e 93/68/CEE).

Standard applicati:

Conformità: LVD EN60950: 2000  
EMC EN55022:1998  
Classe B  
EN55024:1998

Primo anno di apposizione del marchio CE:  
2004

Pubblicata da: Brother Industries, Ltd.

Data: 6 febbraio 2004

Località: Nagoya, Giappone

Firma:



Takashi Maeda  
Responsabile normative  
Quality Management Group  
Quality Management Dept.  
Information & Document  
Company

BROTHER INDUSTRIES, LTD.  
15-1, Naeshiro-cho,  
Mizuho-ku, Nagoya 467-8561,  
Giappone  
Telefono: +81 52 824 2337  
Fax: +81 52 821 4460

# Dichiarazione di conformità

Brother Industries, Ltd., con sede all'indirizzo sopra indicato, dichiara con il presente documento, sotto la propria responsabilità, che il seguente prodotto è conforme ai Requisiti essenziali della Direttiva sulle apparecchiature terminali di telecomunicazione e radio 1999/5/CE secondo i test condotti in base ai requisiti appropriati degli standard applicabili, elencati nel presente documento.

Prodotto: Scheda LAN senza fili

Numero modello / tipo: NC-7100

Direttiva e standard utilizzati:

Radio: EN300 328-1 V1.3.1 (2001-12)  
EN300 328-2 V1.3.1 (2001-12)  
EMC: EN301 489-1 V1.4.1 (2002-08)  
EN301 489-17 V1.2.1 (2002-08)  
LVD: EN60950: 2000

Anno di apposizione del marchio CE: 2004

Firma:



Nome: Takashi Maeda

Posizione: Responsabile normative  
Quality Management Group  
Information & Document Company

Data: 21 gennaio 2004

.....  
Con la presente Brother Industries, Ltd. dichiara che questo NC-7100w è conforme ai requisiti essenziali ed alle altre disposizioni pertinenti stabilite dalla direttiva 1999/5/CE.

# Declaración de conformidad "CE"

## Fabricante

Brother Industries, Ltd.,  
15-1, Naeshiro-cho, Mizuho-ku,  
Nagoya 467-8561, Japón

Declaramos que:

Descripción del producto: Tarjeta de red  
Nombre de producto: NC-7100w

cumplen las disposiciones de las directivas aplicadas: Directiva de bajo voltaje 73/23/EEC (modificada por la 93/68/EEC) y la Directiva de compatibilidad electromagnética 89/336/EEC (modificada por la 91/263/EEC y 92/31/EEC y 93/68/EEC).

Estándares aplicados:

Armonizado: LVD EN60950: 2000  
EMC EN55022:1998  
Clase B  
EN55024:1998

Año en el que se aplicó por primera vez la marca CE: 2004

Expedido por: Brother Industries, Ltd.

Fecha: 6 de febrero de 2004

Lugar: Nagoya, Japón

Firma:

Takashi Maeda

Takashi Maeda  
Administrador de normativas  
Quality Management Group  
Quality Management Dept.  
Information & Document  
Company

BROTHER INDUSTRIES, LTD.  
15-1, Naeshiro-cho,  
Mizuho-ku, Nagoya 467-8561,  
Japón  
Teléfono: +81 52 824 2337  
Fax: +81 52 821 4460

## Declaración de conformidad

Nosotros, Brother Industries, Ltd. en la dirección anterior, declaramos por la presente, bajo nuestra única responsabilidad, que el siguiente producto se ajusta a los Requisitos esenciales de la directiva 1999/5/CE para equipos terminales de radio y telecomunicaciones con las pruebas dirigidas a los requisitos apropiados de los estándares relevantes, que se enumeran a continuación.

Producto: Tarjeta LAN inalámbrica

Número de modelo / tipo: NC-7100

Directiva y estándares empleados:

Radio: EN300 328-1 V1.3.1 (2001-12)  
EN300 328-2 V1.3.1 (2001-12)  
EMC: EN301 489-1 V1.4.1 (2002-08)  
EN301 489-17 V1.2.1 (2002-08)  
LVD: EN60950: 2000

Año de recepción de marca CE: 2004

Firma:

Takashi Maeda

Nombre: Takashi Maeda

Cargo: Responsable de normativas  
Quality Management Group  
Information & Document Company

Fecha: 21 de enero de 2004

-----  
Por medio de la presente Brother Industries, Ltd. declara que el NC-7000w cumple con los requisitos esenciales y cualesquiera otras disposiciones aplicables o exigibles de la Directiva 1999/5/CE.

# Konformitetserklæring for EU

## Produsent

Brother Industries, Ltd.,  
15-1, Naeshiro-cho, Mizuho-ku,  
Nagoya 467-8561, Japan

erklærer herved at:

Produktbeskrivelse: Nettverkskort  
Produktnavn: NC-7100w

overholder direktivenes bestemmelser:  
Lavspenningsdirektivet 73/23/EEC (med  
endring 93/68/EEC) og direktivet om  
elektromagnetisk kompatibilitet 89/336/EEC  
(med endring 91/263/EEC og 92/31/EEC og  
93/68/EEC).

Gjeldende standarder:

Harmonisert: LVD EN60950: 2000  
EMC EN55022:1998  
Klasse B  
EN55024:1998

Første år med CE-merking: 2004

Utstedt av: Brother Industries, Ltd.

Dato: 6. februar 2004

Sted: Nagoya, Japan

Signatur:



Takashi Maeda  
Regelverksansvarlig  
Quality Management Group  
Quality Management Dept.  
Information & Document  
Company

BROTHER INDUSTRIES, LTD.  
15-1, Naeshiro-cho,  
Mizuho-ku, Nagoya 467-8561,  
Japan  
Tlf.: +81 52 824 2337  
Faks: +81 52 821 4460

## Konformitetserklæring

Vi, Brother Industries, Ltd. på ovennevnte  
adresse, erklærer herved på eget ansvar at  
følgende produkt tilfredsstillter kravene i  
direktiv for radio- og teleterminalutstyr,  
1999/5/EC, i henhold til tester utført etter  
gjeldende krav i de relevante standardene,  
som oppført heri.

Produkt: Trådløst LAN-kort

Modell-/typenummer: NC-7100

Gjeldende direktiver og standarder:

Radio: EN300 328-1 V1.3.1 (2001-12)  
EN300 328-2 V1.2.1 (2001-12)

EMC: EN301 489-1 V1.4.1 (2002-08)  
EN301 489-17 V1.2.1 (2002-08)

LVD: EN60950: 2000

År for CE-merking: 2004

Signatur:



Name: Takashi Maeda

Stilling: Regelverksansvarlig,  
Quality Management Group,  
Information & Document  
Company

Dateo 21. januar 2004

.....  
Herved erklærer Brother Industries, Ltd. at  
denne NC-7100w er i overensstemmelse  
med krav og andre relevante bestemmelser i  
direktiv 1999/5/EC.

# EG-försäkran om överensstämmelse

## Tillverkare

Brother Industries, Ltd.,  
15-1, Naeshiro-cho, Mizuho-ku,  
Nagoya 467-8561, Japan

Förklarar härmed att:

Produktbeskrivning: Nätverkskort

Produktnamn: NC-7100w

överensstämmer med föreskrifterna i gällande direktiv: lågspänningsdirektivet 73/23/EEG (ändrat av 93/68/EEG) och direktivet för elektromagnetisk kompatibilitet 89/336/EEG (ändrat av 91/263/EEG och 92/31/EEG och 93/68/EEG).

Gällande standarder:

Harmoniserad: LVD EN60950: 2000

EMC EN55022:1998  
klass B

EN55024:1998

År då CE-märke först gavs: 2004

Utgiven av: Brother Industries, Ltd.

Datum: 6 februari 2004

Plats: Nagoya, Japan

Underskrift:



Takashi Maeda  
Regelverksansvarig  
Kvalitetskontrollgruppen  
Kvalitetsledningsavdelningen  
Information & Document  
Company

BROTHER INDUSTRIES, LTD.

15-1, Naeshiro-cho,

Mizuho-ku, Nagoya 467-8561,

Japan

Tfn: +81 52 824 2337

Fax: +81 52 821 4460

# Försäkran om överensstämmelse

Vi, Brother Industries, Ltd., på ovanstående adress tillkännager härmed, och tar till fullt ansvar för, att följande produkt överensstämmer med de erforderliga kraven i radio- och teleterminaldirektivet 1999/5/EG, enligt de test som har utförts enligt tillämpliga krav i relevanta standarder och som härmed listas.

Produkt: Trådlöst LAN-kort

Modell-/typnummer: NC-7100

Tillämpade direktiv och standarder:

Radio: EN300 328-1 V1.3.1 (2001-12)

EN300 328-2 V1.2.1 (2001-12)

EMC: EN301 489-1 V1.4.1 (2002-08)

EN301 489-17 V1.2.1 (2002-08)

LVD: EN60950: 2000

År då CE-märkning gavs: 2004

Underskrift:



Namn: Takashi Maeda

Position: Regelverksansvarig,  
Kvalitetskontrollgruppen,  
Information & Document Company

Datum: 21 januari 2004

Härmed intygar Brother Industries, Ltd. att denna NC-7100w står i överensstämmelse med de väsentliga egenskapskrav och övriga relevanta bestämmelser som framgår av direktiv 1999/5/EG.



## EU-overensstemmelseserklæring

### Producent

Brother Industries, Ltd.,  
15-1, Naeshiro-cho, Mizuho-ku,  
Nagoya 467-8561, Japan

Erklærer hermed, at:

Produktbeskrivelse: Netværkskort  
Produktnavn: NC-7100w

er i overensstemmelse med bestemmelserne i følgende direktiver: EU-direktiv 73/23/EØF (som ændret ved 93/68/EØF) om lavspænding og EU-direktiv 89/336/EØF (som ændret ved 91/263/EØF, 92/31/EØF og 93/68/EØF) om elektromagnetisk kompatibilitet.

Anvendte standarder:

Harmoniseret: LVD EN60950: 2000  
EMC EN55022:1998  
Klasse B  
EN55024:1998

År for første påsætning af CE-mærke: 2004

Udgivet af: Brother Industries, Ltd.

Dato: 6. februar 2004

Sted: Nagoya, Japan

Underskrift:



Takashi Maeda  
Regelsætsansvarlig  
Kvalitetskontrolgruppen  
Kvalitetsstyringsafdelingen  
Information & Document  
Company

BROTHER INDUSTRIES, LTD.  
15-1, Naeshiro-cho,  
Mizuho-ku, Nagoya 467-8561,  
Japan  
Telefon: +81 52 824 2337  
Fax: +81 52 821 4460

## Overensstemmelseserklæring

Vi, Brother Industries, Ltd. på ovennævnte adresse, erklærer hermed, på eneansvar, at følgende produkt overholder de grundlæggende krav i direktivet om radio og teleterminaludstyr 1999/5/EF og er i overensstemmelse med de test, der er udført i henhold til de relevante krav i de relevante standarder, som angivet hermed.

Produkt: Trådløst LAN-kort

Model-/Typenummer: NC-7100

Anvendte direktiver og standarder:

Radio: EN300 328-1 V1.3.1 (2001-12)  
EN300 328-2 V1.2.1 (2001-12)  
EMC: EN301 489-1 V1.4.1 (2002-08)  
EN301 489-17 V1.2.1 (2002-08)  
LVD: EN60950: 2000

År for påsætning af CE-mærket: 2004

Underskrift:



Navn: Takashi Maeda

Stilling: Regelsætsansvarlig,  
Quality Management Group,  
Information & Document Company

Dato: 21. januar 2004

.....  
Undertegnede Brother Industries, Ltd. erklærer herved, at følgende udstyr NC-7100w overholder de væsentlige krav og øvrige relevante krav i direktiv 1999/5/EF.

# Declaração de conformidade da "CE"

## Fabricante

Brother Industries, Ltd.,  
15-1, Naeshiro-cho, Mizuho-ku,  
Nagoya 467-8561, Japão

Declara que:

Descrição do produto: Placa de rede  
Nome do produto: NC-7100w

está em conformidade com as disposições das directivas aplicadas: Directiva de Baixa Tensão 73/23/CEE (conforme estabelecido pela directiva 93/68/CEE) e a Directiva de Compatibilidade Electromagnética 89/336/CEE (conforme estabelecido pelas directivas 91/263/CEE, 92/31/CEE e 93/68/CEE).

Normas aplicadas:

Harmonizada: DBT EN60950: 2000  
CEM EN55022:1998  
Classe B  
EN55024:1998

Ano do primeiro selo de qualidade da CE:  
2004

Emitido pela: Brother Industries, Ltd.

Data: 6 de Fevereiro de 2004

Local: Nagoya, Japão

Assinatura:



Takashi Maeda  
Gestor de Regulamentos  
Grupo de Gestão da Qualidade  
Dept. de Gestão de Qualidade  
Empresa de Documentação e  
Informação

BROTHER INDUSTRIES, LTD.  
15-1, Naeshiro-cho,  
Mizuho-ku, Nagoya 467-8561,  
Japão  
Telefone: +81 52 824 2337  
Fax: +81 52 821 4460

## Declaração de conformidade

Nós, Brother Industries, Ltd, sediados na morada supramencionada, declaramos, à nossa inteira responsabilidade, que o produto que se segue está em conformidade com os requisitos essenciais da Directiva sobre equipamentos de terminal radioeléctricos e de telecomunicações 1999/5/CE, de acordo com os testes levados a cabo pelos requisitos apropriados das normas relevantes, conforme indicado nesta declaração.

Produto: Placa de rede local sem fios

Número do modelo / tipo: NC-7100

Directiva e normas utilizadas:

Rádio: EN300 328-1 V1.3.1 (2001-12)  
EN300 328-2 V1.2.1 (2001-12)  
CEM: EN301 489-1 V1.4.1 (2002-08)  
EN301 489-17 V1.2.1 (2002-08)  
DBT: EN60950: 2000

Ano de atribuição do selo da CE: 2004

Assinatura:



Nome: Takashi Maeda

Cargo: Gestor de regulamentos,  
Grupo de Gestão da Qualidade,  
Empresa de Documentação e  
Informação

Data: 21 de Janeiro de 2004

Brother Industries, Ltd. declara que este NC-7100w está conforme com os requisitos essenciais e outras disposições da Directiva 1999/5/CE.

## Trademarks

Brother is a registered trademark of Brother Industries, Ltd.

Windows and Windows NT are registered trademarks of Microsoft Corporation in the US and other countries.

Ethernet is trademark of Xerox Corporation.

Apple, Macintosh, iMac, LaserWriter and AppleTalk are registered trademarks of Apple Computer, Inc.

IBM, LAN Server, and AIX are trademarks of International Business Machines Corporation.

All other brand and product names mentioned in this user's guide are registered trademarks or trademarks of respective companies.

## Warenzeichen

Brother ist ein eingetragenes Warenzeichen der Brother Industries Ltd.

Windows und Windows NT sind in den USA und anderen Ländern eingetragene Warenzeichen der Microsoft Corporation.

Ethernet ist ein Warenzeichen der Xerox Corporation.

Apple Macintosh, iMac, LaserWriter, und AppleTalk sind eingetragene Warenzeichen von Apple Computer, Inc.

IBM, LAN Server und AIX sind Warenzeichen der International Business Machines Corporation.

Alle übrigen Waren- und Produktbezeichnungen, die in diesem Handbuch erwähnt werden, sind Warenzeichen oder eingetragene Warenzeichen der entsprechenden Unternehmen.

## Marques

Brother est une marque déposée de Brother Industries, Ltd.

Windows et Windows NT sont des marques déposées de Microsoft Corporation aux Etats-Unis et dans d'autres pays.

Ethernet est une marque de Xerox Corporation.

Apple, Macintosh, iMac, LaserWriter et AppleTalk sont des marques déposées d'Apple Computer, Inc.

IBM, LAN Server et AIX sont des marques de International Business Machines Corporation.

Tous les autres noms de marque et de produit mentionnés dans le présent guide sont des marques déposées ou non de leurs détenteurs respectifs.

## Handelsmerken

Brother is een wettig gedeponeerd handelsmerk van Brother Industries, Ltd.

Windows en Windows NT zijn handelsmerken van Microsoft Corporation die in de VS en andere landen geregistreerd zijn.

Ethernet is een handelsmerk van Xerox Corporation.

Apple, Macintosh, iMac, LaserWriter en AppleTalk zijn wettig gedeponeerde handelsmerken van Apple Computer, Inc. IBM, LAN Server en AIX zijn handelsmerken van International Business Machines Corporation.

Alle andere merknamen en productnamen die in deze handleiding worden gebruikt, zijn wettig gedeponeerde handelsmerken of handelsmerken van de desbetreffende bedrijven.

## Marchi

Brother è un marchio registrato di Brother Industries, Ltd.

Windows e Windows NT sono marchi registrati di Microsoft Corporation negli Stati Uniti e in altri paesi.

Ethernet è un marchio di Xerox Corporation.

Apple, Macintosh, iMac, LaserWriter e AppleTalk sono marchi registrati di Apple Computer, Inc.

IBM, LAN Server e AIX sono marchi di International Business Machines Corporation.

Tutti gli altri nomi di prodotti e marchi citati in questa Guida dell'utente sono marchi registrati o marchi dei rispettivi proprietari.

## Marcas registradas

Brother es una marca registrada de Brother Industries, Ltd.

Windows y Windows NT son marcas registradas de Microsoft Corporation en Estados Unidos y demás países.

Ethernet es una marca comercial de Xerox Corporation.

Apple, Macintosh, iMac, LaserWriter y AppleTalk son marcas registradas de Apple Computer, Inc.

IBM, LAN Server y AIX son marcas comerciales de International Business Machines Corporation.

Todas las demás marcas y nombres de productos mencionados en el Manual del usuario son marcas registradas o marcas comerciales de sus respectivos titulares.

## Varemerker

Brother er et registrert varemerke for Brother Industries, Ltd.

Windows og Windows NT er registrerte varemerker for Microsoft Corporation i USA og andre land.

Ethernet er et varemerke for Xerox Corporation.

Apple, Macintosh, iMac, LaserWriter og AppleTalk er registrerte varemerker for Apple Computer, Inc.

IBM, LAN Server og AIX er varemerker for International Business Machines Corporation.

Alle andre merke- og produktnavn som blir omtalt i denne brukermanualen, er registrerte varemerker eller varemerker for sine respektive selskaper.

## Varumärken

Brother är ett registrerat varumärke som tillhör Brother Industries, Ltd.

Windows och Windows NT är registrerade varumärken som tillhör Microsoft Corporation i USA och i andra länder.

Ethernet är ett varumärke som tillhör Xerox Corporation.

Apple Macintosh, iMac, LaserWriter och AppleTalk är registrerade varumärken som tillhör Apple Computer, Inc.

IBM, LAN Server och AIX är varumärken som tillhör International Business Machines Corporation.

Alla andra märken och produktnamn som nämns i den här bruksanvisningen är registrerade varumärken eller varumärken som tillhör respektive företag.

## Varemærker

Brother er et registreret varemærke tilhørende Brother Industries, Ltd.

Windows® og WindowsNT® er registrerede varemærker tilhørende Microsoft Corporation i USA og andre lande.

Ethernet er et varemærke tilhørende Xerox Corporation.

Apple, Macintosh, iMac, LaserWriter og AppleTalk er registrerede varemærker tilhørende Apple Computer, Inc.

IBM, LAN Server og AIX er varemærker tilhørende International Business Machines Corporation.

Alle andre mærke- eller produktnavne, der er nævnt i denne brugsanvisning, er registrerede varemærker eller varemærker tilhørende de respektive virksomheder.

## Marcas comerciais

Brother é uma marca comercial registada da Brother Industries, Ltd.

Windows e Windows NT são marcas registadas da Microsoft Corporation nos EUA e noutros países.

Ethernet é uma marca comercial da Xerox Corporation.

Apple, Macintosh, iMac, LaserWriter e AppleTalk são marcas registadas da Apple Computer, Inc.

IBM, LAN Server e AIX são marcas comerciais da International Business Machines Corporation.

Todas as outras marcas e nomes de produtos mencionados neste manual de utilização são marcas comerciais registadas ou marcas comerciais das respectivas empresas.

# Copyrights

©2004 Brother Industries Ltd. All rights reserved.

©1998-2004 TROY Group, Inc. All rights reserved.

©1983-2004 PACIFIC SOFTWARES INC.  
All rights reserved.

## Atheros Copyright

This product includes object code that is Copyright ©2002-2004 Atheros Communications, Inc. All rights reserved.

## Intel Copyright and License Information

This product includes object code from Intel's UPnP SDK.

The following is the copyright and licensing information for Intel UPnP SDK.

Copyright 2004 Intel Corporation  
All rights reserved.

Redistribution and use in source and binary forms, with or without modification, are permitted provided that the following conditions are met:

- Redistributions of source code must retain the above copyright notice this list of conditions and the following disclaimer.
- Redistributions in binary form must reproduce the above copyright notice, this list of conditions and the following disclaimer in the documentation and/or other materials provided with the distribution.
- Neither name of Intel Corporation nor the names of its contributors may be used to endorse or promote products derived from this software without specific prior written permission.

THIS SOFTWARE IS PROVIDED BY THE COPYRIGHT HOLDERS AND CONTRIBUTORS "AS IS" AND ANY EXPRESS OR IMPLIED WARRANTIES, INCLUDING, BUT NOT LIMITED TO, THE IMPLIED WARRANTIES OF MERCHANTABILITY AND FITNESS FOR A PARTICULAR PURPOSE ARE DISCLAIMED. IN NO EVENT SHALL INTEL OR CONTRIBUTORS BE LIABLE FOR ANY DIRECT, INDIRECT, INCIDENTAL, SPECIAL, EXEMPLARY, OR CONSEQUENTIAL DAMAGES (INCLUDING, BUT NOT LIMITED TO, PROCUREMENT OF SUBSTITUTE GOODS OR SERVICES; LOSS OF USE, DATA, OR PROFITS; OR BUSINESS INTERRUPTION) HOWEVER CAUSED AND ON ANY THEORY OF LIABILITY, WHETHER IN CONTRACT, STRICT LIABILITY, OR TORT (INCLUDING NEGLIGENCE OR OTHERWISE) ARISING IN ANY WAY OUT OF THE USE OF THIS SOFTWARE, EVEN IF ADVISED OF THE POSSIBILITY OF SUCH DAMAGE.

# Urheberrechte

©2004 Brother Industries Ltd. Alle Rechte vorbehalten.

©1998-2004 TROY Group, Inc. Alle Rechte vorbehalten.

©1983-2004 PACIFIC SOFTWARES INC. Alle Rechte vorbehalten.

## Atheros Urheberrecht

Dieses Produkt enthält Objektcode, bezüglich dessen Atheros Communications, Inc Eigentümer des Urheberrechts ©2002-2004 ist. Alle Rechte vorbehalten.

## Intel Copyright und Lizenzvereinbarung

Dieses Produkt beinhaltet Intel UPnP SDK Objektcode.

Es folgt Copyright- und Lizenzinformation für Intel UPnP SDK.

Copyright© 2004 Intel Corporation  
Alle Rechte vorbehalten.

Weitergabe und Verwendung von Quellcode und in binärer Form, mit oder ohne Veränderungen, sind erlaubt, wenn folgende Bedingungen eingehalten werden:

- Die Weitergabe von Quellcode muss die oben angegebene Copyright-Notiz enthalten, diese Liste von Bedingungen und die folgende Verzichtserklärung.
- Die Weitergabe in binärer Form muss in der Dokumentation und/oder anderen Materialien, die zur Weitergabe gehören, die oben angegebene Copyright-Notiz enthalten, diese Liste von Bedingungen und die folgende Verzichtserklärung.
- Der Name der Intel Corporation sowie die Namen sämtlicher Intel-Mitarbeiter dürfen nur mit vorheriger schriftlicher Genehmigung zur Auszeichnung, Werbung und Verkaufsförderung von auf dieser Software basierenden Produkten verwendet werden.

DIESE SOFTWARE WIRD VON DEN COPYRIGHT-INHABERN UND BEITRAGENDEN WIE VORLIEGEND GELIEFERT UND JEGLICHE AUSDRÜCKLICHEN ODER STILLSCHWEIGENDEN GARANTIEN, EINSCHLIESSLICH, JEDOCH NICHT BESCHRÄNKT AUF DIE HANDELSÜBLICHEN INBEGRIFFENEN GARANTIEN UND DIE EIGNUNG FÜR EINEN BESTIMMTEN ZWECK WERDEN NICHT ANERKANNT. KEINESFALLS IST INTEL SOWIE IHRE MITARBEITER FÜR DIREKTE, INDIREKTE, ZUFÄLLIGE, BESONDERE, EXEMPLARISCHE SCHÄDEN ODER FOLGESCHÄDEN VERANTWORTLICH (EINSCHLIESSLICH, JEDOCH NICHT BESCHRÄNKT AUF DIE BESCHAFFUNG ODER DEN ERSATZ VON WAREN ODER DIENSTLEISTUNGEN, DEN VERLUST VON ARBEITSZEIT, DATEN, EINNAHMEN ODER GESCHÄFTSAUSFALL), UNERHEBLICH AUS WELCHEM GRUND UND IN WESSEN VERANTWORTUNGSBEREICH, OB NACH VERTRAG, STRIKTER VERBINDLICHKEIT ODER SCHADENSERSATZRECHT (EINSCHLIESSLICH NACHLÄSSIGKEIT ODER ANDERES), DER SICH IN IRGEND EINER WEISE AUS DEM EINSATZ DIESER SOFTWARE ERGIBT, SELBST BEI VORHERIGER BENACHRICHTIGUNG DER MÖGLICHKEIT EINES SOLCHEN SCHADENS.

# Copyrights

©2004 Brother Industries Ltd. Tous droits réservés.

©1998-2004 TROY Group, Inc. Tous droits réservés.

©1983-2004 PACIFIC SOFTWARES INC.  
Tous droits réservés.

## Copyright Atheros

Ce produit comprend du code objet protégé par le copyright ©2002-2004 Atheros Communications, Inc. Tous droits réservés.

## Informations de copyright et de licence Intel

Ce produit comprend du code objet du kit de développement logiciel (SDK) UPnP de Intel.

Vous trouverez ci-dessous les informations de copyright et de licence relatives à l'utilisation du SDK UPnP de Intel.

Copyright© 2004 Intel Corporation  
Tous droits réservés.

La redistribution et l'utilisation des formes source et binaire, avec ou sans modification, sont autorisées sous réserve du respect des conditions suivantes :

- Les redistributions du code source doivent conserver l'avis de copyright ci-dessus, cette liste de conditions et la clause de désistement suivante.
- Les redistributions sous forme binaire doivent reproduire l'avis de copyright ci-dessus, cette liste de conditions et la clause de désistement suivante dans la documentation et/ou tout autre matériel fourni avec la distribution.
- Ni le nom Intel Corporation ni les noms de ses collaborateurs ne peuvent être utilisés pour endosser ou promouvoir des produits dérivés de ce logiciel sans autorisation préalable écrite et spécifique.

CE LOGICIEL EST FOURNI PAR LES DETENTEURS DU COPYRIGHT ET SES COLLABORATEURS "TEL QUEL" ET AUCUNE GARANTIE EXPRESSE OU TACITE N'EST CONSENTIE, Y COMPRIS SANS POUR AUTANT S'Y LIMITER, LES GARANTIES TACITES CONCERNANT LE CARACTERE MARCHAND ET IDOINE POUR UNE FIN DONNEE. INTEL OU SES COLLABORATEURS NE SONT EN AUCUN CAS REDEVABLES EN CAS DE DOMMAGES DIRECTS, INDIRECTS, ACCESSOIRES, DETERMINES, EXEMPLAIRES OU CONSECUTIFS (Y COMPRIS SANS POUR AUTANT S'Y LIMITER, LA MISE A DISPOSITION DE BIENS OU DE SERVICES DE REMPLACEMENT, LA PRIVATION DE JOUISSANCE, LA PERTE DE DONNEES, LE MANQUE A GAGNER OU L'ARRET D'EXPLOITATION), QUELLE QU'EN SOIT LA CAUSE ET QUELLE QUE SOIT LA THEORIE DE RESPONSABILITE, QU'IL S'AGISSE D'UNE ACTION EN DROIT COMMERCIAL, DROIT STRICT OU DROIT CIVIL (Y COMPRIS POUR NEGLIGENCE OU AUTRE) DECOULANT D'UNE MANIERE OU D'UNE AUTRE DE L'UTILISATION DE CE LOGICIEL, MEME SI LE RISQUE D'UN TEL DOMMAGE A ETE STIPULE.



# Copyrights

©2004 Brother Industries Ltd. Alle rechten voorbehouden.

©1998-2004 TROY Group, Inc. Alle rechten voorbehouden.

©1983-2004 PACIFIC SOFTWARES INC. Alle rechten voorbehouden.

## Copyright Atheros

Dit product is uitgerust met een doelprogramma dat auteursrechtelijk beschermd is. ©2002-2004 Atheros Communications, Inc. Alle rechten voorbehouden.

## Informatie over copyright en licenties van Intel

Dit product is uitgerust met het doelprogramma van Intel's UPnP SDK.

Het volgende is informatie over copyright en licenties voor Intel's UPnP SDK.

Copyright© 2004 Intel Corporation

Alle rechten voorbehouden.

Herdistributie en gebruik in bronprogramma's en binaire vorm, al dan niet met wijzigingen, is toegestaan mits aan de volgende voorwaarden wordt voldaan:

- Bij herdistributie van het bronprogramma dienen de hierboven vermelde gegevens m.b.t. auteursrechten, deze lijst van voorwaarden en de volgende disclaimer in het programma behouden te blijven.
- Bij herdistributie in binaire vorm dienen de hierboven vermelde gegevens m.b.t. auteursrechten, deze lijst van voorwaarden en de volgende disclaimer in de documentatie en/of ander materiaal te worden meegeleverd.
- Noch de naam Intel Corporation noch de naam van enige partij die een bijdrage heeft geleverd mag worden gebruikt voor het ondersteunen of promoten van producten die zijn afgeleid van deze software zonder dat daarvoor voorafgaand schriftelijke toestemming is verkregen.

DE HOUDERS VAN DE AUTEURSRECHTEN EN ENIGE PARTIJ DIE EEN BIJDRAGE HEEFT GELEVERD, VERSTREKKEN DEZE SOFTWARE IN DE STAAT WAARIN DEZE VOOR VERKOOP WERD AANGEBODEN, EN ENIGE UITDRUKKELIJK VERSTREKTE OF STILZWIJGENDE GARANTIES, MET INBEGRIJ VAN MAAR NIET BEPERKT TOT DE STILZWIJGENDE GARANTIES OP VERKOOPBAARHEID EN GESCHIKTHEID VOOR ENIG DOEL, WORDEN VAN DE HAND GEWEZEN. IN GEEN ENKEL GEVAL ZAL INTEL OF ENIGE PARTIJ DIE EEN BIJDRAGE HEEFT GELEVERD AANSPRAKELIJK ZIJN VOOR ENIGE DIRECTE OF INDIRECTE, INCIDENTELE OF SPECIALE SCHADE, MORELE SCHADEVERGOEDING OF GEVOLGSCHADE (MET INBEGRIJ VAN MAAR NIET BEPERKT TOT DE LEVERING VAN VERVANGENDE GOEDEREN OF DIENSTEN; VERLIES VAN GEBRUIK, GEGEVENS OF WINSTEN; OF BEDRIJFSSCHADE) ONGEACHT DE WIJZE WAAROP DEZE WERD VEROORZAAKT EN ONGEACHT OP BASIS VAN WELKE THEORIE VAN AANSPRAKELIJKHEID, HETZIJ IN CONTRACT, STRIKTE AANSPRAKELIJKHEID OF ONRECHTMATIGE DAAD (MET INBEGRIJ VAN NALATIGHEID OF ANDERSZINS) OP ENIGE WIJZE VOORTVLOEIEND UIT HET GEBRUIK VAN DEZE SOFTWARE, ZELFS INDIEN IS GEWEZEN OP DE MOGELIJKHEID VAN DERGELIJKE SCHADE.

## Copyright

©2004 Brother Industries Ltd. Tutti i diritti riservati.

©1998-2004 TROY Group, Inc. Tutti i diritti riservati.

©1983-2004 PACIFIC SOFTWARES INC.  
Tutti i diritti riservati.

## Copyright Atheros

Questo prodotto include codice oggetto protetto da copyright ©2002-2004 Atheros Communications, Inc. Tutti i diritti riservati.

## Copyright Intel e informazioni sulla licenza

Questo prodotto include una parte di codice proveniente da Intel UPnP SDK.

Di seguito sono riportate informazioni sul copyright e sulla licenza per Intel UPnP SDK.

Copyright© 2004 Intel Corporation

Tutti i diritti riservati.

La redistribuzione e l'impiego in forma binaria o sorgente, con o senza modifiche, sono consentiti purché vengano rispettate le seguenti condizioni:

- La redistribuzione del codice sorgente deve presentare il precedente avviso sul copyright, questo elenco di condizioni e il seguente avviso sulla limitazione di responsabilità.
- La redistribuzione in forma binaria deve riprodurre il precedente avviso sul copyright, questo elenco di condizioni e il seguente avviso sulla limitazione di responsabilità nella documentazione e/o altri materiali forniti con la distribuzione.
- Né il nome di Intel Corporation né i nomi dei relativi collaboratori possono essere utilizzati per approvare o promuovere prodotti derivati da questo software senza una specifica autorizzazione scritta.

QUESTO SOFTWARE È FORNITO DAI TITOLARI DEL COPYRIGHT E DAI RELATIVI COLLABORATORI "COSÌ COM'È" E NON SONO PREVISTE GARANZIE ESPRESSE O IMPLICITE, INCLUSE, IN VIA ESEMPLIFICATIVA, LE GARANZIE IMPLICITE DI COMMERCIALIZZABILITÀ E IDONEITÀ A UNO SCOPO PARTICOLARE. IN NESSUN CASO INTEL O I SUOI COLLABORATORI POTRANNO ESSERE RITENUTI RESPONSABILI DI EVENTUALI DANNI DIRETTI, INDIRETTI, INCIDENTALI, SPECIALI, O CONSEGUENZIALI (INCLUSI, MA NON LIMITATI ALL'APPROVVIGIONAMENTO DI BENI O SERVIZI DI SOSTITUZIONE; PERDITA DI DATI O PROFITTI, INTERRUZIONE DELL'ATTIVITÀ) IN QUALUNQUE MODO CAUSATI O PER QUALSIVOGLIA TEORIA DI RESPONSABILITÀ, SIA SULLA BASE DEL CONTRATTO, RIGIDA RESPONSABILITÀ O VIOLAZIONE (INCLUSA LA NEGLIGENZA O ALTRO) DERIVANTI DALL'UTILIZZO DI QUESTO SOFTWARE, ANCHE SE AVVERTITI DELLA POSSIBILITÀ DI TALI DANNI.

## Derechos de autor

©2004 Brother Industries Ltd. Todos los derechos reservados.

©1998-2004 TROY Group, Inc. Todos los derechos reservados.

©1983-2004 PACIFIC SOFTWARES INC.  
Todos los derechos reservados.

## Derechos de autor de Atheros

Este producto incluye código objeto que tiene copyright ©2002-2004 Atheros Communications, Inc. Todos los derechos reservados.

## Copyright e información de licencia de Intel

Este producto incluye código objeto del SDK de UPnP de Intel.

A continuación se incluye el copyright y la información de licencia del SDK de UPnP de Intel.

Copyright© 2004 Intel Corporation  
Todos los derechos reservados.

La redistribución y el uso en formas fuente y binarias, con o sin modificaciones, está permitido siempre que se cumplan las siguientes condiciones:

- Las redistribuciones del código fuente debe retener la advertencia de derechos de autor anterior, esta lista de condiciones y el siguiente descargo.
- La redistribución en formato binario deben reproducir la advertencia de derechos de autor anterior, esta lista de condiciones en la documentación y/otros materiales que se proporcionen con la distribución.
- No podrán utilizarse ni el nombre de Intel Corporation ni los nombres de sus colaboradores para endosar o promocionar productos derivados de este software sin permiso previo específico por escrito.

ESTE SOFTWARE SE PROPORCIONA A TRAVÉS DE LOS TITULARES DE LOS DERECHOS DE AUTOR Y COLABORADORES "TAL CUAL" Y SE RECHAZA CUALQUIER GARANTÍA EXPRESA O IMPLÍCITA, INCLUYENDO PERO SIN LIMITACIÓN A LAS GARANTÍAS IMPLÍCITAS DE COMERCIABILIDAD Y ADECUACIÓN PARA UN PROPÓSITO EN PARTICULAR. EN NINGÚN CASO SERÁ INTEL O SUS COLABORADORES RESPONSABLES DE CUALQUIER DAÑO DIRECTO, INDIRECTO, INCIDENTAL, ESPECIAL, EJEMPLAR O CONSECUENTE (INCLUYENDO PERO SIN LIMITARSE A LA PROCURACIÓN O SUSTITUCIÓN DE BIENES O SERVICIOS, PÉRDIDA DE USO, DATOS O BENEFICIOS O INTERRUPCIÓN DE NEGOCIO) CAUSADO SIN EMBARGO Y EN CUALQUIER TEORÍA DE RESPONSABILIDAD, YA SEA EN CONTRATO, RESPONSABILIDAD ESTRICTA O EXTRACONTRACTUAL (INCLUYENDO LA NEGLIGENCIA U OTRAS) EMERGENTES DEL USO DE ESTE SOFTWARE, INCLUSO SI SE ADVIERTE DE LA POSIBILIDAD DE DICHOS DAÑOS.

## Opphavsrett

©2004 Brother Industries Ltd. Med enerett.  
©1998-2004 TROY Group, Inc. Med enerett.  
©1983-2004 PACIFIC SOFTWARES INC.  
Med enerett.

## Atheros Copyright

This product includes object code that is  
Copyright ©2002-2004 Atheros  
Communications, Inc. All rights reserved.

## Intel copyright- og lisensinformasjon

Dette produktet inneholder objektkode fra  
Intels UPnP SDK.

Følgende er copyright- og lisensinformasjon  
for Intel UPnP SDK.

Copyright© 2000 Intel Corporation  
Med enerett.

Omfordeling og bruk i kilde- og  
binærformater, med eller uten modifisering,  
er tillatt så lenge følgende krav er innfridd:

- Omfordelinger av kildekoder må ha den ovennevnte copyrightnotisen, denne listen over forhold og følgende dementi.
- Omfordelinger i binærformat må reprodusere den ovennevnte copyrightnotisen, denne listen over forhold og følgende dementi i dokumentasjonen og/eller annet materiale som følger med i omfordelingen.
- Hverken navnet på Intel Corporation eller deres medarbeidere kan brukes til å støtte eller fremme produkter som kommer fra denne programvaren uten å ha fått spesifikk skriftlig avtale på forhånd.

DENNE PROGRAMVAREN ER LAGET AV  
COPYRIGHTINNEHAVERNE OG  
MEDARBEIDERNE SOM DEN ER, OG ALLE  
UTTRYKTE ELLER UNDERFORSTÅTTE  
GARANTIER, INKLUDERT MEN IKKE  
BEGRENSET TIL, DE UNDERFORSTÅTTE  
GARANTIENE FOR SALGBARHET OG  
EGNETHET FOR ET SPESIELT FORMÅL ER  
IKKE ERKJENT. IKKE I NOE TILFELLE SKAL  
INTEL ELLER MEDARBEIDERE STÅ  
ANSVARLIG FOR DIREKTE, INDIREKTE,  
TILFELDIGE, SPESIELLE, EKSEMPLARISKE  
ELLER KONSEKVENTE SKADER (INKLUDERT,  
MEN IKKE BEGRENSET TIL, ANSKAFFELSE AV  
RESERVEGODS ELLER -TJENESTER, TAP AV  
BRUK, DATA, ELLER FORTJENESTE ELLER  
AVBRUDDSTAP) UANSETT HVORDAN DE  
OPPSTO OG HVEM SOM VAR ANSVARLIG,  
ENTEN DET ER PÅ KONTRAKT, OBJEKTIVT  
ANSVAR ELLER FORVOLDT SKADE  
(INKLUDERT UAKTSOMHET ELLER ANNET)  
SOM OPPSTÅR PÅ NOEN SOM HELST MÅTE  
NÅR PROGRAMVAREN IKKE ER I BRUK, SELV  
OM MAN ER OPPLYST OM MULIGHETEN FOR  
SLIK SKADE.

# Copyright

©2004 Brother Industries Ltd. Med ensamrätt.

©1998-2004 TROY Group, Inc. Med ensamrätt.

©1983-2004 PACIFIC SOFTWARES INC. Med ensamrätt.

## Atheros, Copyright

Denna produkt innehåller en objektкод med copyright ©2002-2004 Atheros Communications, Inc. Med ensamrätt.

## Copyright- och licensinformation från Intel

I den här produkten finns en objektкод från Intels UPnP SDK.

Följande upplysningar utgör copyright- och licensinformation till Intel UPnP SDK.

Copyright© 2004 Intel Corporation

Med ensamrätt.

Distribution och användning i källform och binär form, med eller utan ändringar, tillåts om följande villkor uppfylls:

- Vid distribuering i källkodsform måste det ovanstående copyright-meddelandet, den här listan med villkor och nedanstående friskrivningsmeddelande medfölja.
- Vid distribuering i binär form måste det ovanstående copyright-meddelandet, den här listan med villkor och nedanstående friskrivningsmeddelande finnas med i de dokument och/eller annat material som medföljer.
- Varken namnet Intel Corporation eller namnen på deras partners får användas för att marknadsföra produkter som skapats med den här programvaran utan föregående särskilt skriftligt tillstånd.

DEN HÄR PROGRAMVARAN TILLHANDAHÅLLS AV UPPHOVSRÄTTSSINNEHAVARNA OCH DERAS PARTNERS I BEFINTLIGT SKICK OCH ALLA DIREKTA ELLER INDIREKTA GARANTIER BESTRIDS, DÄRIBLAND, MEN INTE BEGRÄNSAT TILL, DE UNDERFÖRSTÅDDA GARANTIerna OM SÄLJBARHET OCH ÄNDAMÅLSENLIGHET. UNDER INGA OMSTÄNDIGHETER SKA INTEL ELLER DERAS PARTNERS ANSVARA FÖR NÅGON DIREKT, INDIREKT, OFÖRUTSEDD ELLER FÖRHÖJD SKADA ELLER FÖLJDSKADA (INRÄKNAT, MEN INTE BEGRÄNSAT TILL, INFÖRSKAFFANDE AV ERSÄTTNINGSVAROR ELLER TJÄNSTER, MINSKAD ANVÄNDBARHET, FÖRLUST AV DATA, FÖRTJÄNST ELLER VERKSAMHET, ELLER STÖRNINGAR I VERKSAMHETEN ) HUR SKADAN ÄN HAR UPPSTÅTT, VARE SIG DET GÄLLER ENLIGT AVTAL, EGENTLIGT ANSVAR ELLER SKADESTÅNDSSKYLDIGHET (INRÄKNAT FÖRSUMLIGHET ELLER ANDRA FALL) OCH SOM PÅ NÅGOT SÄTT HAR UPPSTÅTT PÅ GRUND AV ANVÄNDNING AV DEN HÄR PROGRAMVARAN ÄVEN OM DE HAR KÄNNEDOM OM RISKEN FÖR ATT SÅDANA SKADOR KAN UPPSTÅ.

# Copyrights

©2004 Brother Industries, Ltd. Alle rettigheder forbeholdes.

©1998-2004 TROY Group, Inc. Alle rettigheder forbeholdes.

©1983-2004 PACIFIC SOFTWARES INC. Alle rettigheder forbeholdes.

## Atheros-copyright

Dette produkt indeholder objektkode, og copyright hertil tilhører ©2002-2004 Atheros Communications, Inc. Alle rettigheder forbeholdes.

## Copyright- og licensinformation fra Intel

Dette produkt indeholder objektkode fra Intels udviklerværktøj UPnP.

Følgende er copyright- og licensoplysningerne til Intels udviklerværktøj UPnP.

Copyright© Intel Corporation 2004

Alle rettigheder forbeholdes.

Videredistribution og brug i kilde- og binærform med eller uden ændringer er tilladt, for så vidt følgende betingelser overholdes:

- Videredistributioner af kildekode skal bevare ovennævnte copyrightmeddelelse, denne liste over betingelser og følgende ansvarsfralæggelseserklæring.
- Videredistribution i binær form skal gengive ovennævnte copyrightmeddelelse, denne liste over betingelser og følgende ansvarsfralæggelseserklæring i dokumentationen og/eller andre materialer, som vedlægges distributionen.
- Hverken navnet Intel Corporation eller navnene på medarbejdere heri må bruges til at støtte eller fremme produkter med relation til denne software uden forudgående udtrykkelig skriftlig tilladelse.

DENNE SOFTWARE ER LEVERET AF COPYRIGHTINDEHAVERNE OG UNDERLEVERANDØRERNE, "SOM DEN ER OG FOREFINDES", OG DER FRALÆGGES ETHVERT ANSVAR FOR EVENTUELLE DIREKTE ELLER INDIREKTE GARANTIER, HERUNDER MEN IKKE BEGRÆNSET TIL, DE INDIREKTE GARANTIER FOR KVALITET OG EGNETHED TIL ET BESTEMT FORMÅL. INTEL ELLER UNDERLEVERANDØRER ER UNDER INGEN OMSTÆNDIGHEDER ANSVARLIGE FOR EVENTUEL DIREKTE, INDIREKTE, HÆNDELIG, SÆRLIG ELLER ERSTATNING FOR FØLGESKADER (HERUNDER, MEN IKKE BEGRÆNSET TIL, INDKØB AF ERSTATNINGSVARER ELLER -TJENESTER; AFSAVN, DATA ELLER OVERSKUD; ELLER DRIFTSAFBRYDELSE), UANSET ÅRSAG OG PÅ NOGEN FORMODNING OM ERSTATNINGSANSVAR, HVAD ENTEN DET MÅTTE VÆRE I HENHOLD TIL KONTRAKT, OBJEKTIVT ANSVAR ELLER ERSTATNINGSRET (HERUNDER FORSØMMELIGHED ELLER ANDET), DER MÅTTE OPSTÅ PÅ EN HVILKEN SOM HELST MÅDE VED BRUGEN AF DENNE SOFTWARE, SELV HVIS DER ER GJORT OPMÆRKSOM PÅ MULIGHEDEN FOR SÅDAN SKADE.

# Copyrights

©2004 Brother Industries Ltd. Todos os direitos reservados.

©1998-2004 TROY Group, Inc. Todos os direitos reservados.

©1983-2004 PACIFIC SOFTWARES INC. Todos os direitos reservados.

## Copyright da Atheros

Este produto inclui código de objecto cujo copyright ©2002-2004 pertence à Atheros Communications, Inc. Todos os direitos reservados.

## Informações de copyright e de licenciamento da Intel

Este produto inclui código de objecto da SDK UPnP da Intel.

Seguem-se as informações de copyright e de licenciamento da Intel UPnP SDK.

Copyright© 2004 Intel Corporation

Todos os direitos reservados.

A redistribuição e reutilização do código de origem e binário, com ou sem modificação, são permitidas desde que se cumpram as seguintes condições:

- Eventuais redistribuições do código de origem deverão conter o aviso de copyright acima indicado, a presente lista de condições e a seguinte declaração de renúncia.
- Eventuais redistribuições em forma binária deverão reproduzir o aviso de copyright acima indicado, a presente lista de condições e a seguinte declaração de renúncia na documentação e/ou outros materiais fornecidos com a distribuição.
- Nem o nome da Intel Corporation nem os nomes dos respectivos participantes poderão ser utilizados para apoiar ou promover produtos derivados deste software sem autorização prévia por escrito.

ESTE SOFTWARE É FORNECIDO PELOS DETENTORES DO COPYRIGHT E RESPECTIVOS PARTICIPANTES "TAL COMO ESTÁ" E É RENUNCIADA QUALQUER GARANTIA EXPRESSA OU IMPLÍCITA, INCLUINDO, MAS NÃO SE LIMITANDO A, AS GARANTIAS IMPLÍCITAS DE COMERCIALIZAÇÃO E ADEQUAÇÃO A UM DETERMINADO FIM. EM CIRCUNSTÂNCIA ALGUMA A INTEL OU OS RESPECTIVOS PARTICIPANTES SE RESPONSABILIZARÃO POR QUALQUER DANO DIRECTO, INDIRECTO, ACIDENTAL, ESPECIAL, PONTUAL OU CONSEQUENCIAL (INCLUINDO, MAS NÃO SE LIMITANDO A, BENS OU SERVIÇOS DE AQUISIÇÃO OU SUBSTITUIÇÃO; PERDA DE CAPACIDADE DE UTILIZAÇÃO, DADOS OU LUCROS; OU INTERRUPTÃO DE SERVIÇO) DE ALGUMA FORMA CAUSADO, NEM POR QUALQUER TEORIA OU RESPONSABILIDADE, QUER CONTRATUAL, QUER RESPONSABILIDADE ESTRITA OU DANO (INCLUINDO NEGLIGÊNCIA OU OUTRA) CONSEQUENTES DA UTILIZAÇÃO DESTE SOFTWARE, AINDA QUE CIENTES DA POSSIBILIDADES DESSE DANO.

**brother**®