

PT-80
USER'S GUIDE
 English / Español
 www.brother.com
 LN8233001
 Printed in China

INTRODUCTION

With your PT-80, you can create labels for any application. Select from the many frames, character sizes and styles to design beautiful custom labels. In addition, the variety of tape cartridges available allows you to print labels with different widths and exciting colors.

Read this manual carefully before starting and keep the manual in a handy place for future reference.

FCC NOTICE

This device complies with Part 15 of the FCC Rules. Operation is subject to the following two conditions: (1) This device may not cause harmful interference, and (2) this device must accept any interference received, including interference that may cause undesired operation.

This equipment has been tested and found to comply with the limits for a Class B digital device, pursuant to Part 15 of the FCC Rules. These limits are designed to provide reasonable protection against harmful interference in a residential installation. This equipment generates, uses, and can radiate radio frequency energy and, if not installed and used in accordance with the instructions, may cause harmful interference to radio communications. However, there is no guarantee that interference will not occur in a particular installation. If this equipment does cause harmful interference to radio or television reception, which can be determined by turning the equipment off and on, the user is encouraged to try to correct the interference by one or more of the following measures:

- Reorient or relocate the receiving antenna.
- Increase the separation between the equipment and receiver.
- Connect the equipment into an outlet on a circuit different from that to which the receiver is connected.
- Consult the dealer or an experienced radio/TV technician for help.

Changes or modifications not expressly approved by Brother Industries, Ltd. could void the user's authority to operate the equipment.

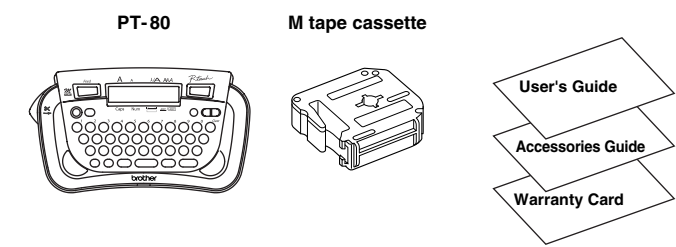
GENERAL PRECAUTIONS

- Use only Brother M tapes with this machine. Do not use tapes that do not have the **M** mark.
- Do not clean the machine with alcohol or other organic solvents. Only use a soft, dry cloth.
- Do not touch the print head mechanism. Use a soft wipe (e.g. a cotton swab) when cleaning the print head.
- To avoid injuries, do not touch the cutter's edge.
- To prevent damage or breakage of the LCD glass, do not press on the display.
- Do not put any foreign objects into or heavy objects on the machine.
- Do not leave any rubber or vinyl on the machine for an extended period of time, otherwise the machine may be stained.
- Do not get the machine wet, such as by handling the machine with wet hands or spilling beverages on to the machine.
- Do not expose the machine to extremely high temperatures or high humidity. Never leave it on the dashboard, in the back of your car, near heaters or other hot appliances. Keep it out of both direct sunlight and rain.
- Avoid using the machine in extremely dusty places.
- Depending on the environmental conditions and the applied settings, some characters or symbols may be difficult to read.
- Do not pull on the tape being fed from the P-touch labeler, otherwise the tape cassette or P-touch labeler may be damaged.
- Do not attempt to cut the tape while printing or feeding since this will damage the tape.
- Do not try to print labels using an empty tape cassette set in the P-touch labeler. Doing so will damage the print head.
- Remove the batteries if you do not intend to use the machine for an extended period of time. (Note: When power is disconnected for more than two minutes, all text and format settings will be cleared. Language, unit and clock settings will also be cleared.)
- Make sure that the power is turned off when replacing batteries or tape cassette.
- Do not use old and new batteries together or mix alkaline batteries with other type batteries, or set the positive and negative end in the wrong position. Otherwise, the batteries may leak or be damaged.

1 PREPARATION

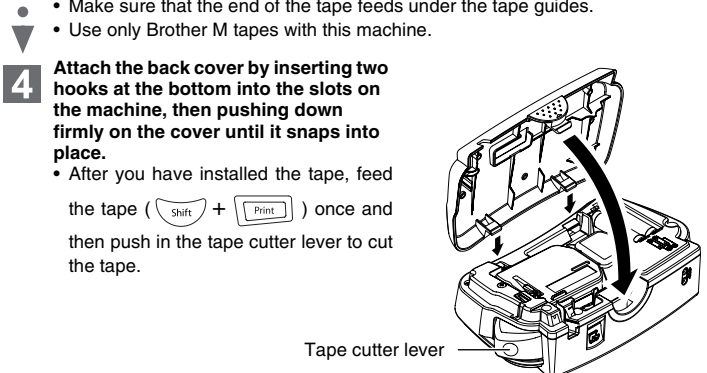
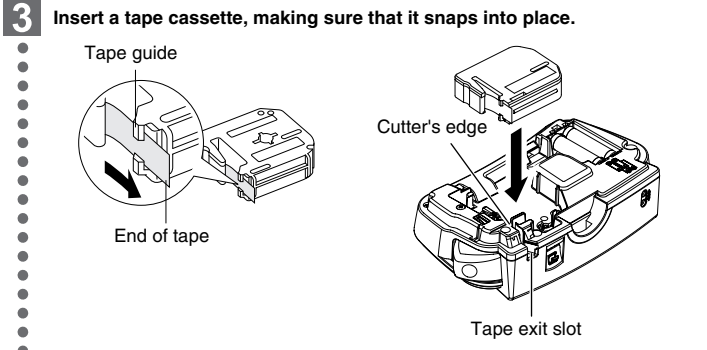
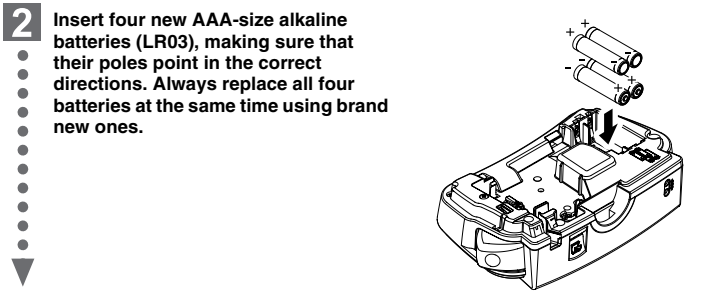
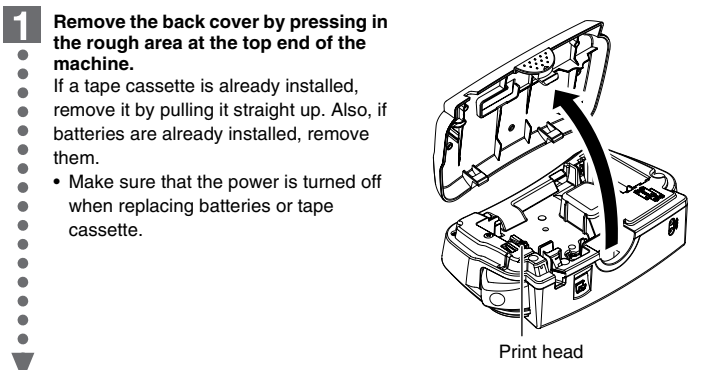
Unpacking Your P-touch Labeler

Check that the package contains the followings before using your P-touch labeler.



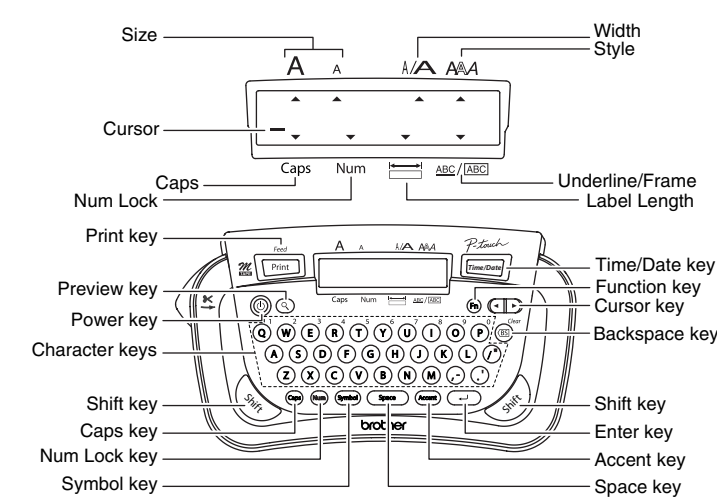
Included items may differ by distribution.

Power Supply & Tape Cassettes



2 OPERATION

Keyboard & LCD



- The LCD shows one row of 12 characters; however, the text that you enter can be up to 80 characters in length, which will scroll across the display.
- Use Cursor key while holding down Shift key to go to beginning / end of the text.

Initial Setting

- Start your machine**
Supply power by using four AAA batteries, and then press **ON**.
- Set the language (English/Spanish/French/Portuguese)**
 * English *
 Choose a language with **Left/Right** and press **Enter**.
- Set the unit (inch/mm)**
 * inch *
 Choose a unit with **Left/Right** and press **Enter**.
- Set Date (MM/DD/YY) and Time (hh:mm)**
 Example: setting the clock to March 20th 2006, 10:30AM
 Date (MM/DD/YY)
 MM:01/06 → 03/20/06 → 03/20/YY
 input "03" → input "20" → input "06"
 Time (hh:mm)
 hh:10:00 → 10:30 → input "10" → input "30"
 * AM *
 Select AM/PM with **Left/Right** and press **Enter**.

You can also confirm the figure and move to the next setting by using right cursor key.

- The machine automatically turns off if no key is pressed within 5 minutes.
- To cancel operations, press **ON**.
- To initialize the P-touch labeler back to factory settings, turn off the machine and then while holding down **Shift** and **R**, press **ON** to turn the machine back on. Finally, release **Shift** and **R**.

3 REFERENCE

Troubleshooting

Error message	
Message	Cause/Remedy
Battery	The batteries are weak. Replace them with new ones.
Invalid	Invalid number is selected for Label Length setting.
No Text	<ul style="list-style-type: none"> The Print key or Preview key is pressed when no text is entered. You tried to set Copies (copy printing) when no text is entered.
Line Lmt	Line Limit. Printable lines are limited up to 2 lines. You tried to enter a 3rd line by pressing Enter key.
Full	The maximum number of characters (80 characters) have already been entered.
Text Lmt	Text Limit. The text length exceeds the selected label length or the selected Auto Format setting length.

What to do when...

Problem	Solution
The display stays blank after you have turned on the machine.	<ul style="list-style-type: none"> Check that the batteries are correctly inserted. If the batteries are weak, replace them.
Language setting of the machine is incorrect.	<ul style="list-style-type: none"> Turn off the machine and then while holding down Shift and R, press ON to turn the machine back on. Finally, release Shift and R. Note: The text and formats in the display are erased. Also, the language, unit and clock settings will be cleared.
The machine does not print, or the printed characters are not formed properly.	<ul style="list-style-type: none"> Check that the tape cassette has been inserted correctly. If the tape cassette is empty, replace it. Check the cassette cover is properly closed.
The setting has cleared on its own.	<ul style="list-style-type: none"> The batteries may be weak. Replace them. When power is disconnected for more than two minutes, all text & formats in the display will be lost. Language, unit and clock settings will also be cleared.
A blank horizontal line appears through the printed label.	<ul style="list-style-type: none"> There may be some dust on the print head. Remove the tape cassette and use a dry cotton swab to gently wipe the print head with an up-and-down motion.
The machine has "locked up" (i.e., nothing happens when a key is pressed, even though the machine is on).	<ul style="list-style-type: none"> Turn off the machine, and then while holding down Shift and R, press ON to turn the machine back on. Finally, release Shift and R. Note: The text and formats in the display are erased. Also, the language, unit and clock settings will be cleared.
The power turns off when you try to print.	<ul style="list-style-type: none"> The batteries may be weak. Replace them.
The tape does not feed properly or the tape gets stuck inside the machine.	<ul style="list-style-type: none"> Check that the end of the tape feeds under the tape guides. The cutter lever is used while printing. Do not touch the cutter lever during printing.
All text and format settings need to be cleared to create a new label.	<ul style="list-style-type: none"> Press Backspace key while holding down Shift key, or go into Function mode and select 0.

Specifications

Item	Specification
Dimensions	6.8" (W) x 4.0" (D) x 2.3" (H) (172 mm (W) x 100 mm (D) x 58 mm (H))
Weight	0.5 lbs. (240 g) (without batteries and tape cassette)
Power supply	Four AAA-size alkaline batteries (LR03)
Tape cassette	Brother M tape (width) : 3/8" (9 mm), 1/2" (12 mm)

See the attached "Supplies and Accessories Guide" for detailed info of tape variation.

1 MAKING TEXT

Switching Upper Case/Lower Case

Upper case (ON) Lower case (OFF)

Caps Caps
 A B C D a b c d

Entering Numbers

Num Lock ON Num Lock OFF

Num Num
 1 2 3 1 2 3
 4 5 6 4 5 6

Entering Symbols

Symbol Symbol
 . , : ; " ' * . , : ; " ' *

Group	Symbols	Group	Symbols
1	. , : ; " ' *	7	\$ % € £ ¥ ¢ ✓
2	@ - & * _ \ /	8	2 3 4 5 6 7 8 9 0
3	# % ? ! ; ' * *	9	⊕ ⊗ ⊙ ⊚ ⊛ ⊜ ⊝ ⊞
4	+ - × ÷ ± =	10	* ⊗ ⊙ ⊚ ⊛ ⊜ ⊝ ⊞
5	() [] < >	11	⊕ ⊗ ⊙ ⊚ ⊛ ⊜ ⊝ ⊞
6	→ ← ↑ ↓		

- To go to the next group, press **Symbol**.
- To cancel operations, press **ON**.

Entering Accented Characters

Accented Characters	Accented Characters
A Á Â Ã Ä Å Æ Ç È É	a á â ã ä å æ ç è é
Ê Ë Ì Í Î Ï Ñ Ò Ó	e ê ë ì í î ï ñ ò
Ô Õ Ö Ø Ù Ú Û Ü Ý Þ	ó ô õ ö ù ú û ü ý þ
ß Ž Ž Ž Ž	ß ž ž ž ž

- To cancel operations, press **ON**.
- The order of accented characters differ by the selected LCD language.

Making Two Line Text

Move the cursor to where the second line starts and press **Enter**.

Display Label image
 abc def abc def

2 DESIGNING LABELS

Setting [Size] (Fn + Q)

Fn [Size] [Large] [Small]
 [Large] [Small]
 J.SMITH J.SMITH

Setting [Width] (Fn + W)

Fn [Width] [x2] [x1/2]
 [Normal] [x2] [x1/2]
 J.SMITH J.SMITH J.SMITH

Setting [Style] (Vertical) (Fn + E)

Fn [Style] [Vertical] [Normal]
 [Normal] [Bold] [Outline]
 J.SMITH J.SMITH J.SMITH
 [Shadow] [Italic] [Bold/Italic]
 J.SMITH J. SMITH J. SMITH
 [Outline/Italic Shadow] [Vertical]
 J. SMITH J. SMITH J. SMITH

Setting [Undl/Frm] (Underline/Frame) (Fn + R)

Fn [Undl/Frm] [Undl] [Candy]
 [Off] [Undl] (Underline) [Round] [Candy]
 ABC ABC ABC ABC
 [Callout] [Banner] [Wooden]
 ABC ABC ABC

Setting [Length] (Label Length) (Auto / 1.2" - 12.0") (Fn + T)

Fn [Length] * 1.2" * [Auto]
 You can also select the length by entering the length with **0 ~ 9**.
 To return to [Auto], press **Space**.

Setting [A/F] (Auto Format) (Fn + Y)

Fn [A/F] [VCR VHS] [Auto]
 You can choose label length from five formats to create labels for various applications.

LCD	Application	Length
VCR VHS	Cassette spine	5.5"
MiniDV	Cassette spine	1.6"
Audio	Cassette case spine	3.5"
File Tab	File tab	3.2"
Divider	Divider Tab	1.6"

To Clear

By pressing the backspace key you will delete a character. (To delete a whole line of text, keep pressing the Backspace key)

ON
 Fn **AllClear** **Clear?** **Enter**

To Clear All the Text and the Settings (Fn + O)

Fn **AllClear** **Clear?** **Enter**

- This will not affect Time & Date or language settings.

3 PRINTING LABELS

Text Preview

You can preview the text before printing.

ON **Preview**

- The LCD shows the whole text and the label length (inch/mm), then returns to the original text.
- Only the text can be previewed, not the font, style, size, underline/frame or any additional features.

Feeding (Tape Feed)

Shift + **Print**

- The machine will feed 1.0" of tape, which may be needed when installing a new tape cassette.

Printing

- To cut off the label, push in the tape cutter lever on the upper-left corner of the machine.
- To prevent damage to the tape, do not try to cut while the message "Print" or "Feed" is displayed.

Using Copies (Fn + U)

You can print up to 9 copies of each label.

Fn [Copies] [1-9? 5] **Enter**

You can also select the number of copies by entering with **0 ~ 9**.

COMPLETED LABELS

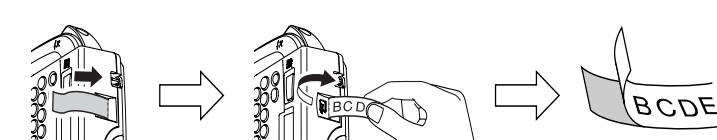
00Z1-E<0-T 0000 005(8632)-4112
 New York DO NOT TOUCH
 Ken Sampson Merry X'mas

Peel the printed label from backing and apply the label.

Removing the Label Backing

This machine is equipped with a peeler that allows you to easily remove the backing from labels.

- Insert the label, with the printed surface facing down, as far as possible into the built-in peeler.
- Fold back the label to the right and quickly pull out the label. The end of the backing is separated from the label.



USEFUL FUNCTIONS

Time & Date Function (Fn + I)

You can insert the desired time and date to your text at the touch of a button. 8 Formats are available for printing time and date. You can change the number of time/date by changing the clock setting.

To add Time & Date to your text:

abc TimeDate bc 03/20/06

The cursor should be positioned where you wish to insert the time & date.

To select the format of Time & Date:

Fn [TimeDate] [Format] **Enter**

Format	Description	Example (March 20th 2006, 3:30PM)
M/D/Y	Month/ Date/ Year	03/20/06
M/D/Y hm	Month/ Date/ Year time	03/20/06 03:30PM
D/M/Y	Date/ Month/ Year	20/03/06
D/M/Y hm	Date/ Month/ Year time	20/03/06 03:30PM
D.M.Y	Date.Month.Year	20.03.06
D.M.Y hm	Date.Month.Year time	20.03.06 03:30PM
Y-M-D	Year- Month- Date	06-03-20
Y-M-D hm	Year- Month- Date time	06-03-20 03:30PM

To change the Clock Setting:

Example: setting the clock to March 20th 2006, 10:30AM

Fn [TimeDate] [Clock] **Enter**

Setting Month (MM), Date (DD), Year (YY)

MM:01/06 → 03/20/06 → 03/20/YY
 input "03" → input "20" → input "06"

Setting Hour (hh) and Minute (mm)

hh:10:00 → 10:30 → input "10" → input "30"
 * AM *

Select AM/PM with **Left/Right** and press **Enter**.

Function Shortcuts (Fn + Q ~ O)

In addition to the basic steps to search for a function, PT-80 provides you with function shortcuts so you can easily jump to a frequently used function just by pressing **Fn** and the shortcut key shown in the table below. To confirm, press **Enter**.

Key	Function	Key	Function
Q	Size	Y	Auto Format
W	Width	U	Copies
E	Style	I	Time & Date
R	Underline/Frame	O	All Clear
T	Label Length		

Should you encounter any problems with your product, please do not return your product to the store! After referring to the User's guide, if you still need assistance, call Brother Customer Service at:

Voice : 1-877-4-PTOUCH
 Web : www.brother.com
 Fax : 1-901-379-1210

If you need to locate a service center, please call 1-800-284-HELP or visit us at www.brother.com