



FACSIMILE EQUIPMENT

PARTS REFERENCE LIST

MODEL: FAX1835C / 1840C / 1940CN

MFC3240C / 3340CN

**(For Germany / United Kingdom / France /
Belgium / Netherlands / Switzerland /
Ireland / Denmark / Austria / Spain / Italy /
Portugal / China / Hong Kong / Asia /
Oceania / Pan-Nordic /Euro Generic)**

© Copyright Brother 2004

All rights reserved

No part of this publication may be reproduced in any form or by any means without permission in writing from the publisher.

Specifications are subject to change without prior notice.

NOTES FOR USING THIS PARTS REFERENCE LIST

1. In the case of ordering parts, it needs mentioning the following items:

- (1) Code
- (2) Q' ty
- (3) Description
- (4) Recommend (The \checkmark mark is attached to recommend parts at this column.)
- (5) Symbol (PCB No., Revision, and Parts location mounted on the PCB.)

Note: No orders without Parts Code or Tool No. can be accepted.

[Example]

| | (1) | (2) | (3) | (4) | (5) | |
|---------|------|-------|-------------|-----------|--------|---------|
| REF.NO. | CODE | Q' TY | DESCRIPTION | RECOMMEND | SYMBOL | REMARKS |
| | | | | | | |

2. Design-changed parts:

When the parts are changed, any one of the following symbols is mentioned in the REMARKS column.

CHG (chg): The part is changed to a new part.

ADD (add): The part is newly added.

DEL (del): The part is deleted.

Symbol in capital letters indicates that the change is the latest one in the page.

3. Parts change will be informed by the technical information.

COUNTRIES

GERMAN ----- GER

UNITED KINGDOM ----- UK

FRANCE ---- FRA

BELGIUM ---- BEL

NETHERLANDS ---- NLD

SWITZERLAND ---- CHE

IRELAND ---- IRE

DENMARK ---- DEN

AUSTRIA ---- AUS

SPAIN ---- SPA

ITALY ---- ITA

PORTUGAL ---- POR

CHINA ---- CHN

HONG KONG ---- HK

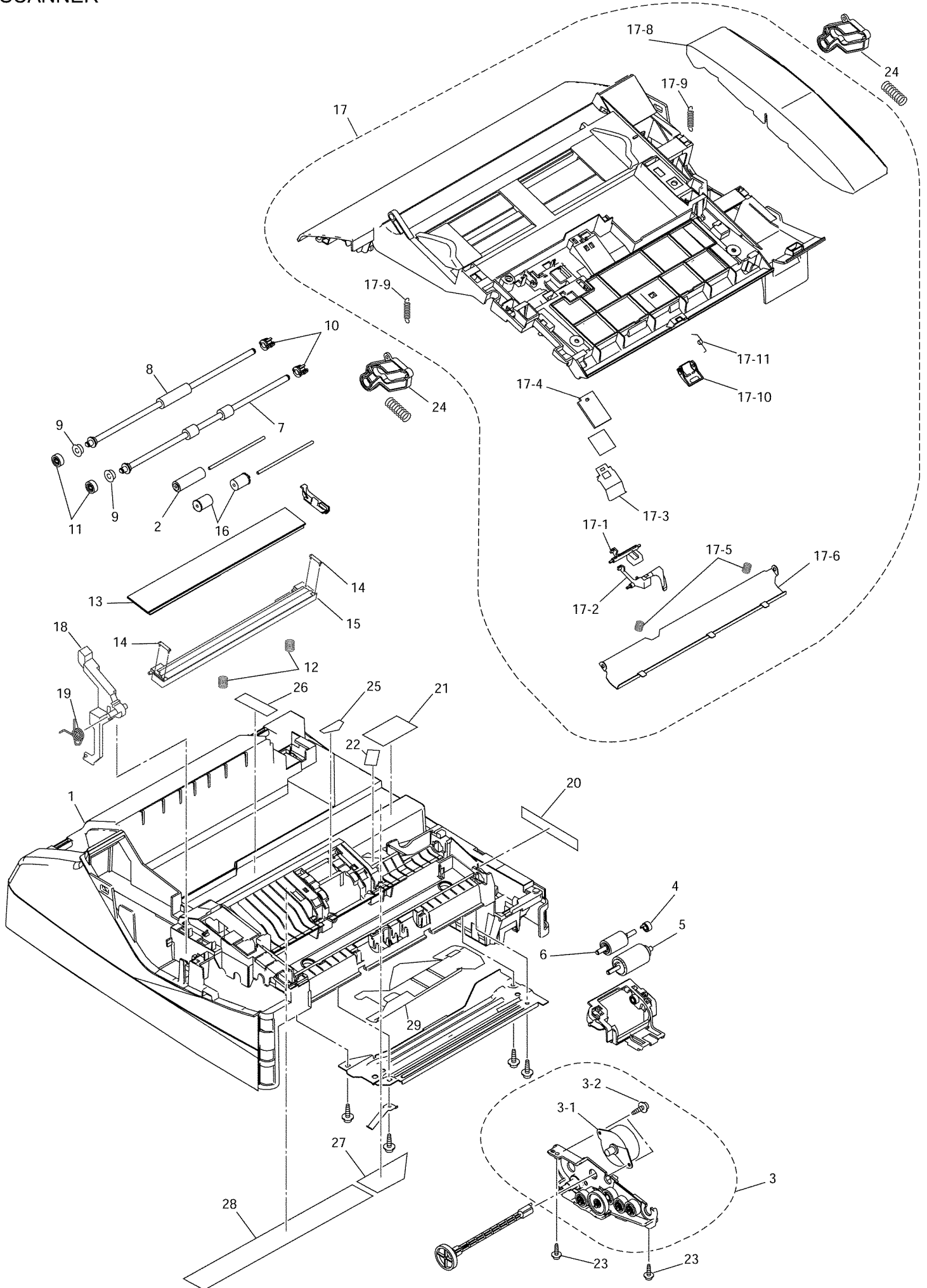
ASIA (SINGAPOLE/GULF) ---- ASA

OCEANIA (ARL & NZ) ---- OCE

PAN NORDIC ---- PND

EURO GENERIC ---- GNR

1. SCANNER



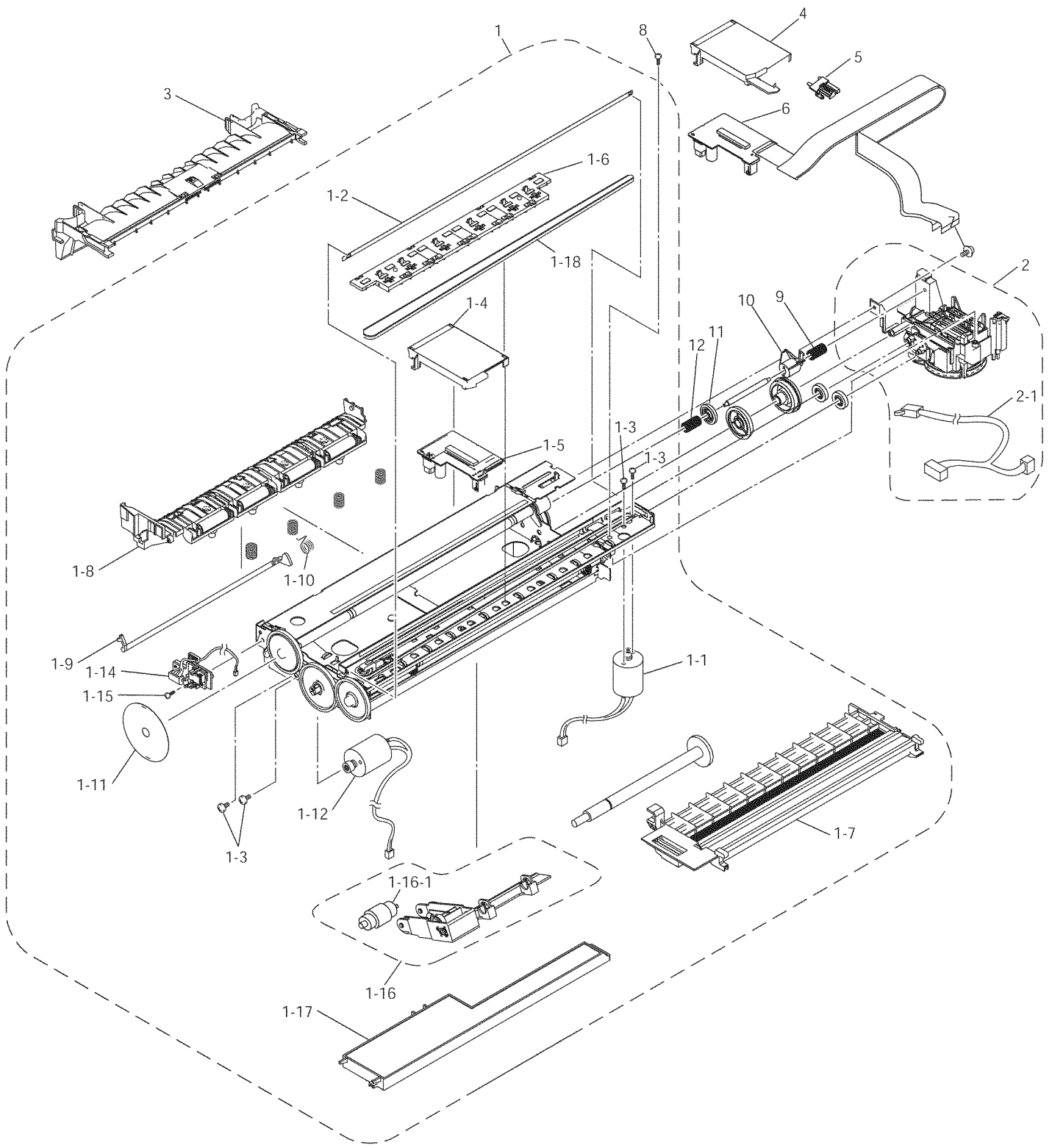
List1(SCANNER)

| REF No. | CODE | QTY | DESCRIPTION | RECOMMEND | REMARK |
|---------|-----------|-----|---|-----------|--------|
| 1 | LP0073002 | 1 | UPPER COVER, FAX1835C/FAX1840C (*1) | | |
| 1 | LP0071002 | 1 | UPPER COVER, FAX1835C/FAX1840C (*2) | | add |
| 1 | LP0074002 | 1 | UPPER COVER, FAX1940CN (*1) | | |
| 1 | LP0072002 | 1 | UPPER COVER, FAX1940CN (*2) | | add |
| 1 | LP0073001 | 1 | UPPER COVER, MFC3240C (*1) | | |
| 1 | LP0071001 | 1 | UPPER COVER, MFC3240C (*2) | | add |
| 1 | LP0074001 | 1 | UPPER COVER, MFC3340CN (*1) | | |
| 1 | LP0072001 | 1 | UPPER COVER, MFC3340CN (*2) | | add |
| 2 | UU0021001 | 1 | DOCUMENT PRESSURE ROLLER | | |
| 3 | LF5503001 | 1 | SCANNER DRIVE UNIT | | |
| 3-1 | LF5510001 | 1 | SCANNER MOTOR | | |
| 3-2 | 0A5300605 | 2 | SCREW PAN (S/P WASHER) M3X6 | | |
| 4 | LF5512001 | 1 | PULL-IN ROLLER GEAR | | |
| 5 | LF7067001 | 1 | DOCUMENT SEPARATION ROLLER | | |
| 6 | LF7079001 | 1 | DOCUMENT PULL-IN ROLLER | | |
| 7 | LF5515001 | 1 | DOCUMENT EJECTION ROLLER | | |
| 8 | LF5517001 | 1 | DOCUMENT FEED ROLLER | | |
| 9 | LE6494001 | 2 | BUSHING | | chg |
| 10 | LF4230001 | 2 | LOCK BUSHING | | |
| 11 | UU7039001 | 2 | DOCUMENT FEED ROLLER GEAR 27 | | |
| 12 | LF5522001 | 2 | CIS SPRING | | |
| 13 | LF5523001 | 1 | CIS GLASS | | |
| 14 | LF5524001 | 2 | CIS SPACER | | |
| 15 | LG5352001 | 1 | CIS UNIT | | |
| 16 | UL6244002 | 2 | PINCH ROLLER | | |
| 17 | LF5533002 | 1 | TOP COVER ASSY, FAX1835C/FAX1840C/FAX1940CN | | |
| 17 | LF5533001 | 1 | TOP COVER ASSY, MFC3240C/MFC3340CN | | |
| 17-1 | LF5535001 | 1 | DOCUMENT FRONT SENSOR ACTUATOR | | |
| 17-2 | LF5536001 | 1 | DOCUMENT REAR SENSOR ACTUATOR | | |
| 17-3 | LF7975001 | 1 | SEPARATION PLATE | | chg |
| 17-4 | LF7977001 | 1 | SEPARATION RUBBER | | chg |
| 17-5 | LE9991001 | 2 | SPRING | | |
| 17-6 | LF7074001 | 1 | DOCUMENT PRESSURE BAR ASSY | | |
| 17-8 | LF5549002 | 1 | SIDE COVER R, FAX1835C/FAX1840C/FAX1940CN | | |
| 17-8 | LF5549001 | 1 | SIDE COVER R, MFC3240C/MFC3340CN | | |
| 17-9 | LF5538001 | 2 | STOPPER SPRING | | |
| 17-10 | LF7070001 | 1 | DOCUMENT NIP PIECE | | add |
| 17-11 | LF7979001 | 1 | NIP PIECE SPRING | | add |
| 18 | LF7066001 | 1 | UPPER HOOK SWITCH ACTUATOR, FAX1840C/FAX1940CN | | |
| 19 | LF7680001 | 1 | ACTUATOR SPRING, FAX1840C/FAX1940CN | | |
| 20 | LP0717001 | 1 | INK REPLACE LABEL | | CHG |
| 21 | LF5116001 | 1 | CONSUMPTION LABEL FOR GER/UK/FRA/BEL/NLD/CHE/IRE/DEN/AUS/SPA/ITA/POR/PND/GNR | | |
| 21 | LF7833001 | 1 | CONSUMPTION LABEL FOR CHN | | |
| 21 | LF5941001 | 1 | CONSUMPTION LABEL FOR HK/ASA/OCE | | |
| 22 | LF5179001 | 1 | USB STICKER EXCEPT FOR CHN | | |
| 22 | LF5191001 | 1 | USB STICKER FOR CHN | | |
| 23 | 085311016 | 2 | TAPTITE BIND B M3X10 | | |
| 24 | LF5537001 | 2 | TOP COVER STOPPER | | |
| 25 | LF7593001 | 1 | FFC FILM | | |
| 26 | LF7242001 | 1 | ADF FILM | | |
| 27 | LF7677001 | 1 | SLIDE SUPPORT FILM | | |
| 28 | LF7321001 | 1 | SLIDE FILM | | |
| 29 | LF7640001 | 1 | CIS FFC FILM | | |

*1 : For models with non-detachable carriage PCB on the print head

*2 : For models with detachable carriage PCB on the print head

2 ENGINE



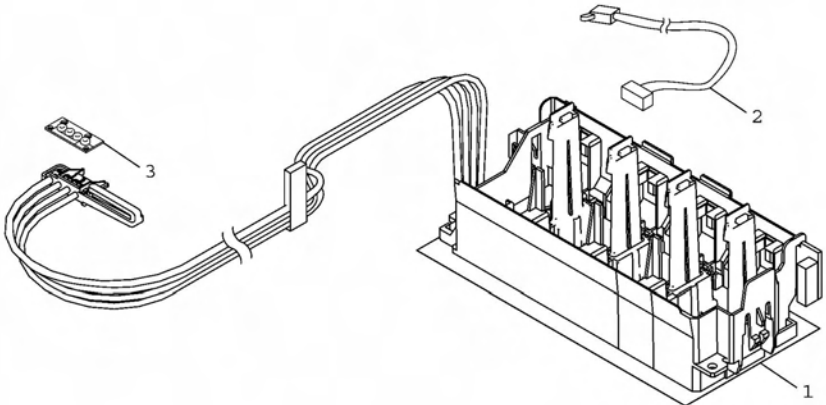
List2(ENGINE)

| REF No. | CODE | QTY | DESCRIPTION | RECOMMEND | REMARK |
|---------|-----------|-----|-------------------------------|-----------|--------|
| 1 | LF7963001 | 1 | ENGINE UNIT SUPPLY ASSY | | chg |
| 1-1 | LF4764001 | 1 | CARRIAGE MOTOR | | |
| 1-2 | LF4769001 | 1 | CR ENCODER STRIP | | |
| 1-3 | 000300305 | 4 | SCREW, BIND M3X3 | | |
| 1-4 | ----- | | NOT USED | | |
| 1-5 | ----- | | NOT USED | | |
| 1-6 | LP0555001 | 1 | STAR WHEEL HOLDER ASSY A | | chg |
| 1-7 | LF7525001 | 1 | PLATEN | | |
| 1-8 | LP0021001 | 1 | PAPER PRESSURE HOLDER | | chg |
| 1-9 | LF4789001 | 1 | REGISTRATION SENSOR ACTUATOR | | |
| 1-10 | LF4790001 | 1 | SENSOR ACTUATOR SPRING | | |
| 1-11 | LF4800001 | 1 | PF ENCODER DISK | | |
| 1-12 | LP0060001 | 1 | PAPER FEED MOTOR | | chg |
| 1-14 | LF4809001 | 1 | PF SENSOR PCB | | |
| 1-15 | 087320616 | 1 | TAPTITE, CUP S M3X6 | | |
| 1-16 | LF4812001 | 1 | PAPER PULL-IN ROLLER HOLDER | | |
| 1-16-1 | LF4815001 | 1 | AUTO SHEET FEEDER ROLLER ASSY | | add |
| 1-17 | LF4818001 | 1 | FLUSHING CASE | | |
| 1-18 | LF4768001 | 1 | TIMING BELT | | ADD |
| 2 | LF7036001 | 1 | MAINTENANCE UNIT SUPPLY ASSY | √ | |
| 2-1 | LG5780001 | 1 | PURGE CAM SWITCH | | |
| 3 | LF4806001 | 1 | JAM CLEAR COVER | | |
| 4 | LF7964001 | 1 | HEAD COVER ASSY (*1) | | |
| 4 | LF7953001 | 1 | HEAD COVER ASSY (*2) | | add |
| 5 | LP0057001 | 1 | FFC SUPPORT | | add |
| 6 | LF7954001 | 1 | CARRIAGE PCB SUPPLY ASSY | | add |
| 7 | 087320616 | 1 | TAPTITE, CUP S M3X6 | | |
| 8 | 087310815 | 1 | TAPTITE, CUP B M3X8 | | |
| 9 | LF4760001 | 1 | PURGE LEVER SPRING (LONGER) | | add |
| 10 | LF4759001 | 1 | PURGE LEVER | | add |
| 11 | LF4762001 | 1 | CLUCH GEAR | | add |
| 12 | LF4763001 | 1 | CLUCH GEAR SPRING (SHORTER) | | add |

*1 : For models with non-detachable carriage PCB on the print head

*2 : For models with detachable carriage PCB on the print head

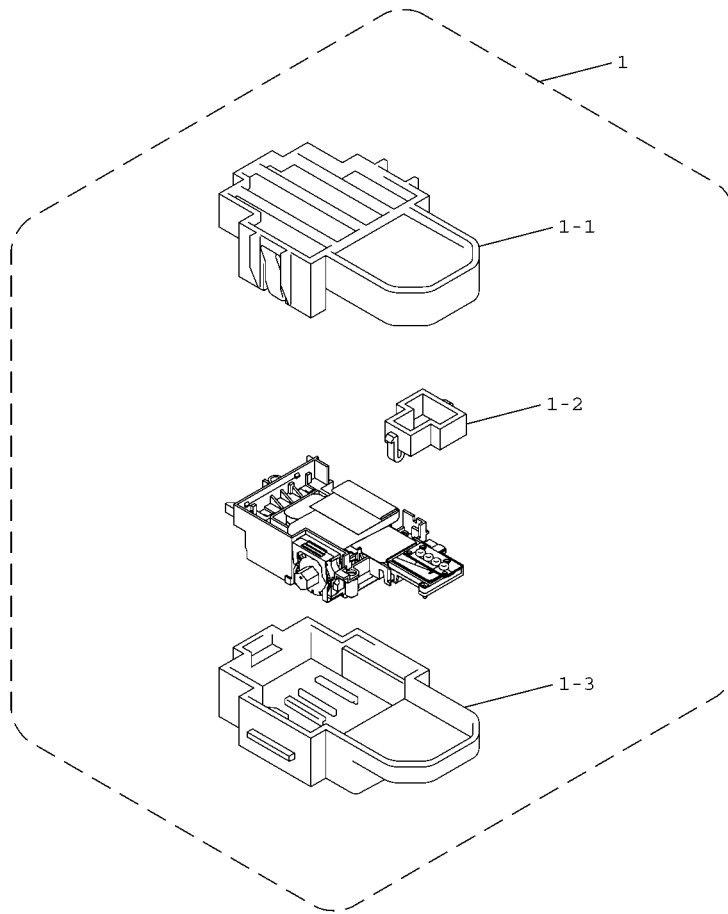
3 CARTRIDGE CASE



List3(CARTRIDGE CASE)

| REF No. | CODE | QTY | DESCRIPTION | RECOMMEND | REMARK |
|---------|-----------|-----|---------------------------------------|-----------|--------|
| 1 | LP0472002 | 1 | INK REFILL SUPPLY ASSY EXCEPT FOR CHN | √ | CHG |
| 1 | LP0472004 | 1 | INK REFILL SUPPLY ASSY FOR CHN | √ | CHG |
| 2 | LG5513001 | 1 | LARGE VOLUME INK CARTRIDGE SENSOR | | |
| 3 | LF7590001 | 1 | HEAD JOINT RUBBER SUPPLY ASSY | | |

4 HEAD

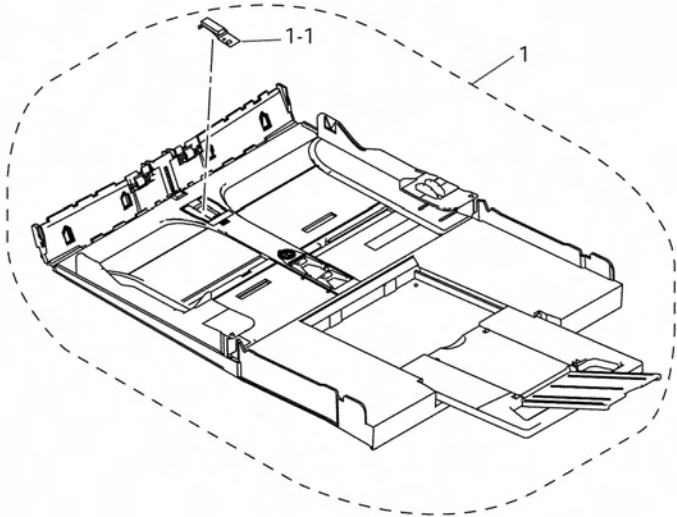
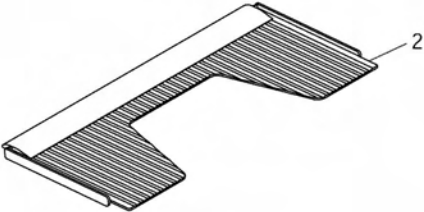


List4(HEAD)

| REF No. | CODE | QTY | DESCRIPTION | RECOMMEND | REMARK |
|---------|-----------|-----|---|-----------|--------|
| 1 | LK1866001 | 1 | HEAD/CARRIAGE SUPPLY ASSY (without CARRIAGE PCB ASSY) (*) | | CHG |
| 1-1 | LK1579001 | 1 | NOZZLE PROTECTOR UPPER | | |
| 1-2 | LK1581001 | 1 | RUBBER JOINT PROTECTOR | | |
| 1-3 | LK1580001 | 1 | NOZZLE PROTECTOR LOWER | | |

*: Please see List 2, 6; CARRIAGE PCB SUPPLY ASSY

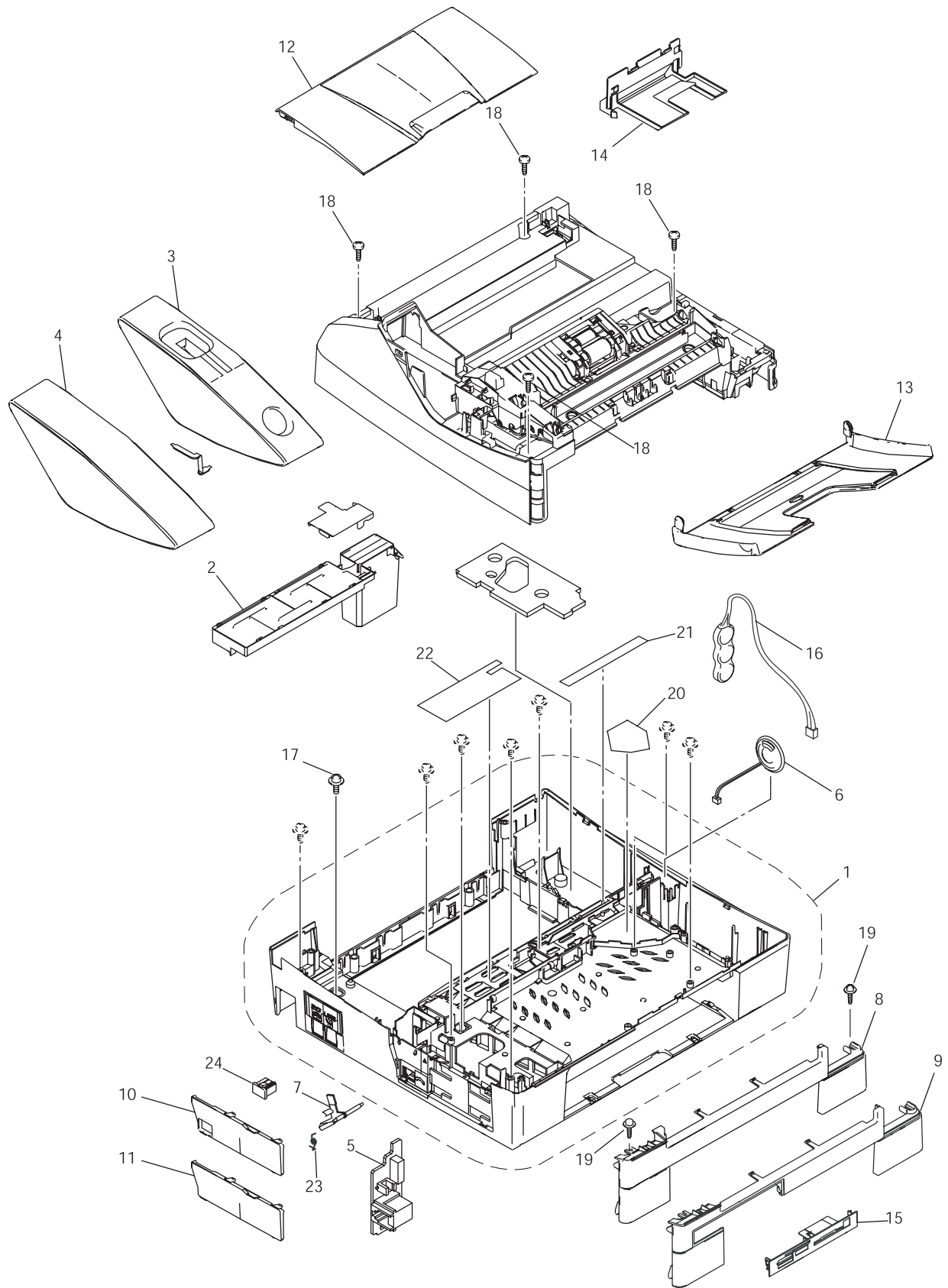
5 PAPER TRAY



List5(PAPER TRAY)

| REF No. | CODE | QTY | DESCRIPTION | RECOMMEND | REMARK |
|---------|-----------|-----|-----------------|-----------|--------|
| 1 | LF4855001 | 1 | PAPER TRAY ASSY | √ | |
| 1-1 | LP0556001 | 1 | BASE PAD ASSY | | ADD |
| 2 | LF5063001 | 1 | TRAY COVER | | |

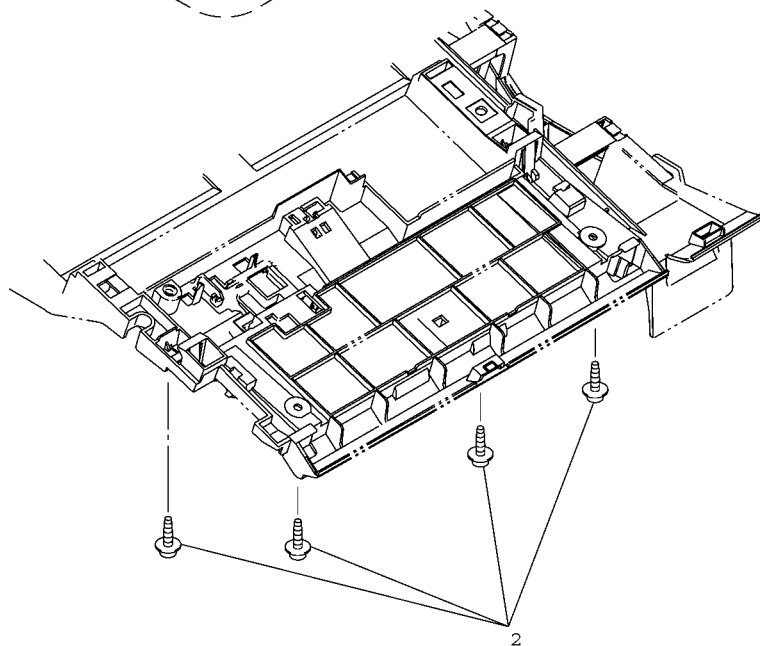
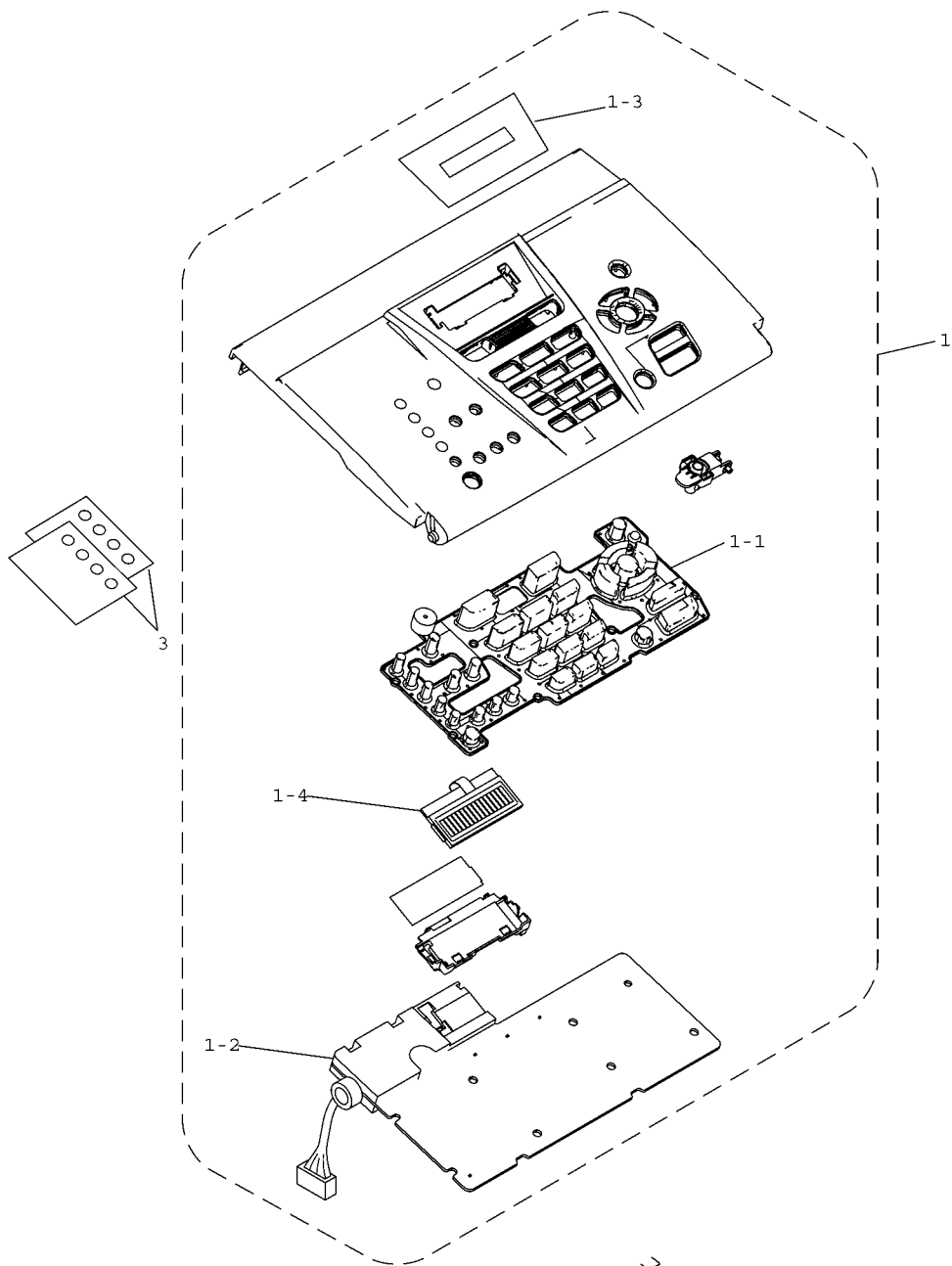
6.COVER



List6(COVER)

| REF No. | CODE | QTY | DESCRIPTION | RECOMMEND | SYMBOL | REMARK |
|---------|-----------|-----|---|-----------|--------|--------|
| 1 | LF4865001 | 1 | LOWER COVER ASSY | | | |
| 2 | LF7544001 | 1 | INK ABSORBER BOX ASSY | √ | | |
| 3 | LF5550001 | 1 | HANDSET MOUNT, FAX1840C/FAX1940CN | | | |
| 4 | LF5541002 | 1 | BLANK COVER, FAX1835C | | | |
| 4 | LF5541001 | 1 | BLANK COVER, MFC3240C/MFC3340CN | | | |
| 5 | LG5474001 | 1 | HOOK SW PCB ASSY, FAX1840C/FAX1940CN | | | |
| 6 | LG5886001 | 1 | SPEAKER UNIT, FAX1840C/FAX1940CN | | | |
| 6 | LG6024001 | 1 | SPEAKER UNIT, MFC3240C/MFC3340CN/FAX1835C | | | |
| 7 | LF7153001 | 1 | HOOK SWITCH ACTUATOR, FAX1840C/FAX1940CN | | | |
| 8 | LF7052002 | 1 | FRONT COVER, FAX1835C/FAX1840C/FAX1940CN | | | |
| 8 | LF7052001 | 1 | FRONT COVER, MFC3240C | | | |
| 9 | LF7053001 | 1 | FRONT COVER, MFC3340CN | | | |
| 10 | LF7054001 | 1 | SIDE COVER, FAX1840C/FAX1940CN | | | |
| 11 | LF5059001 | 1 | SIDE COVER, FAX1835C/MFC3240C | | | |
| 12 | LF5542001 | 1 | DOCUMENT SUPPORT | | | |
| 13 | LF5543002 | 1 | DOCUMENT TRAY ASSY, FAX1835C/FAX1840C | | | |
| 13 | LF5543003 | 1 | DOCUMENT TRAY ASSY, FAX1940CN/MFC3340CN | | | |
| 13 | LF5543001 | 1 | DOCUMENT TRAY ASSY, MFC3240C | | | |
| 14 | LF5546001 | 1 | HARNESS COVER | | | |
| 15 | LF5540001 | 1 | MEDIA MODULE COVER, MFC3340CN | | | |
| 16 | LG5500001 | 1 | BATTERY, FAX1940CN | | | |
| 17 | UF6559001 | 1 | SCREW PAN (WASHER) M4X8DB | | | |
| 18 | 085411216 | 4 | TAPTITE, BIND B M4X12 | | | |
| 19 | 087310815 | 2 | TAPTITE, CUP B M3X8 | | | |
| 20 | LF7105001 | 1 | USB/LAN CONNECTION LABEL, FAX1940CN/MFC3340CN | | | |
| 21 | LF7262001 | 1 | FFC GUIDE FILM | | | |
| 22 | LF7445001 | 1 | TUBE GUIDE FILM | | | |
| 23 | LF7679001 | 1 | ACTUATOR SPRING, FAX1840C | | | |
| 24 | UF5745000 | 1 | MJ COVER, EXT FOR GER/UK/FRA/BEL/AUS/ITA | | | |

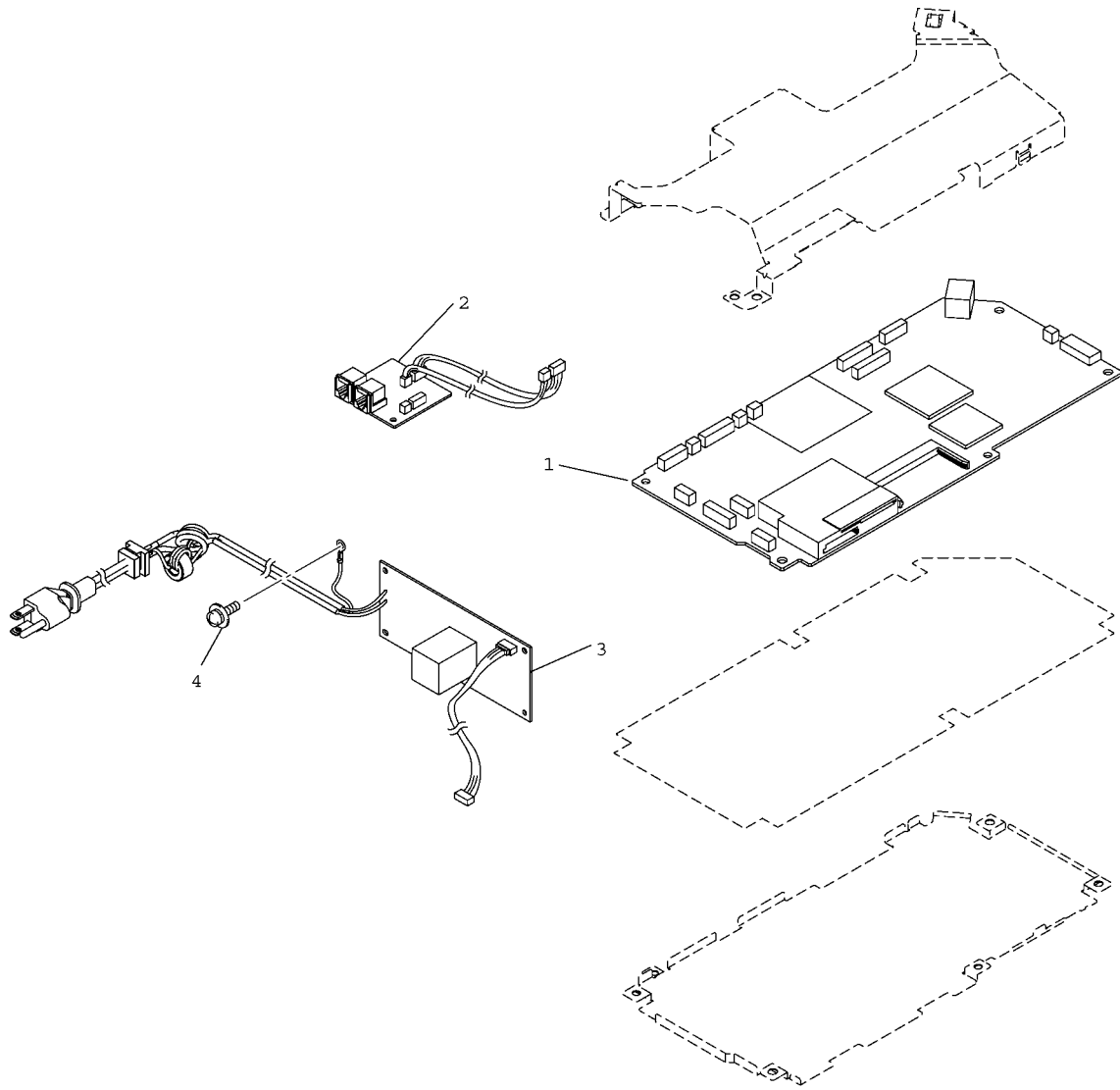
7.PANEL



List7(PANEL)

| REF No. | CODE | QTY | DESCRIPTION | RECOMMEND | SYMBOL | REMARK |
|---------|-----------|-----|--|-----------|---------|--------|
| 1 | LF7761001 | 1 | CONTROL PANEL ASSY, FAX1835C FOR GER | √ | | |
| 1 | LF7636001 | 1 | CONTROL PANEL ASSY, FAX1840C FOR GER/AUS | √ | | |
| 1 | LF7811001 | 1 | CONTROL PANEL ASSY, FAX1940CN FOR GER/AUS | √ | | |
| 1 | LF7614001 | 1 | CONTROL PANEL ASSY, MFC3240C FOR GER | √ | | |
| 1 | LF7791001 | 1 | CONTROL PANEL ASSY, MFC3340CN FOR GER | √ | | |
| 1 | LF7642001 | 1 | CONTROL PANEL ASSY, FAX1840C FOR UK/BEL/IRE/GNR | √ | | |
| 1 | LF7890001 | 1 | CONTROL PANEL ASSY, FAX1940CN FOR UK/CHE | √ | | |
| 1 | LF7616001 | 1 | CONTROL PANEL ASSY, MFC3240C FOR UK/BEL/CHE/IRE/GNR | √ | | |
| 1 | LF7795001 | 1 | CONTROL PANEL ASSY, MFC3340CN FOR UK | √ | | |
| 1 | LF7763001 | 1 | CONTROL PANEL ASSY, FAX1835C FOR FRA | √ | | |
| 1 | LF7646001 | 1 | CONTROL PANEL ASSY, FAX1840C FOR FRA | √ | | |
| 1 | LF7905001 | 1 | CONTROL PANEL ASSY, FAX1940CN FOR FRA | √ | | |
| 1 | LF7621001 | 1 | CONTROL PANEL ASSY, MFC3240C FOR FRA | √ | | |
| 1 | LF7798001 | 1 | CONTROL PANEL ASSY, MFC3340CN FOR FRA | √ | | |
| 1 | LF7745001 | 1 | CONTROL PANEL ASSY, FAX1840C FOR NLD | √ | | |
| 1 | LF7775001 | 1 | CONTROL PANEL ASSY, MFC3240C FOR NLD | √ | | |
| 1 | LF7897001 | 1 | CONTROL PANEL ASSY, FAX1835C FOR CHE | √ | | |
| 1 | LF7750001 | 1 | CONTROL PANEL ASSY, FAX1840C FOR DEN/PND | √ | | |
| 1 | LF7781001 | 1 | CONTROL PANEL ASSY, MFC3240C FOR DEN/PND | √ | | |
| 1 | LF7649001 | 1 | CONTROL PANEL ASSY, FAX1840C FOR SPA | √ | | |
| 1 | LF7908001 | 1 | CONTROL PANEL ASSY, FAX1940CN FOR SPA | √ | | |
| 1 | LF7624001 | 1 | CONTROL PANEL ASSY, MFC3240C FOR SPA | √ | | |
| 1 | LF7804001 | 1 | CONTROL PANEL ASSY, MFC3340CN FOR SPA | √ | | |
| 1 | LF7901001 | 1 | CONTROL PANEL ASSY, FAX1835C FOR ITA | √ | | |
| 1 | LF7652001 | 1 | CONTROL PANEL ASSY, FAX1840C FOR ITA | √ | | |
| 1 | LF7911001 | 1 | CONTROL PANEL ASSY, FAX1940CN FOR ITA | √ | | |
| 1 | LF7627001 | 1 | CONTROL PANEL ASSY, MFC3240C FOR ITA | √ | | |
| 1 | LF7806001 | 1 | CONTROL PANEL ASSY, MFC3340CN FOR ITA | √ | | |
| 1 | LF7655001 | 1 | CONTROL PANEL ASSY, FAX1840C FOR POR | √ | | |
| 1 | LF7914001 | 1 | CONTROL PANEL ASSY, FAX1940CN FOR POR | √ | | |
| 1 | LF7630001 | 1 | CONTROL PANEL ASSY, MFC3240C FOR POR | √ | | |
| 1 | LF7828001 | 1 | CONTROL PANEL ASSY, FAX1840C FOR CHN | √ | | |
| 1 | LF7826001 | 1 | CONTROL PANEL ASSY, MFC3240C FOR CHN | √ | | |
| 1 | LF7360001 | 1 | CONTROL PANEL ASSY, FAX1840C FOR ASA/OCE | √ | | |
| 1 | LF7361001 | 1 | CONTROL PANEL ASSY, MFC3240C FOR HK/ASA/OCE | √ | | |
| 1-1 | LF7091001 | 1 | RUBBER KEYPAD, FAX1835C/FAX1840C FOR GER/AUS | | | |
| 1-1 | LF7092001 | 1 | RUBBER KEYPAD, FAX1940CN FOR GER/AUS | | | |
| 1-1 | LF5961001 | 1 | RUBBER KEYPAD, MFC3240C FOR GER | | | |
| 1-1 | LF5965001 | 1 | RUBBER KEYPAD, MFC3340CN FOR GER | | | |
| 1-1 | LF5698001 | 1 | RUBBER KEYPAD, FAX1835C/FAX1840C FOR UK/FRA/BEL/NLD/IRE/DEN/SPA/ITA/POR/PND/GNR | | | |
| 1-1 | LF5497001 | 1 | RUBBER KEYPAD, FAX1940CN FOR UK/FRA/CHE/SPA/ITA/POR | | | |
| 1-1 | LF5683001 | 1 | RUBBER KEYPAD, MFC3240C FOR UK/FRA/SPA/ITA/POR/HK/ASA/OCE | | | |
| 1-1 | LF5490001 | 1 | RUBBER KEYPAD, MFC3340CN FOR UK/FRA/SPA/ITA | | | |
| 1-2 | LG6224003 | 1 | CONTROL PANEL PCB ASSY, FAX1835C/FAX1840C | | B53K809 | CHG |
| 1-2 | LG6224004 | 1 | CONTROL PANEL PCB ASSY, FAX1940CN | | B53K809 | CHG |
| 1-2 | LG6224001 | 1 | CONTROL PANEL PCB ASSY, MFC3240C | | B53K809 | CHG |
| 1-2 | LG6224002 | 1 | CONTROL PANEL PCB ASSY, MFC3340CN | | B53K809 | CHG |
| 1-3 | LF5968001 | 1 | LCD SHEET, FAX1835C | | | |
| 1-3 | LF5967001 | 1 | LCD SHEET, FAX1840C | | | |
| 1-3 | LF5975001 | 1 | LCD SHEET, FAX1940CN | | | |
| 1-3 | LF5684001 | 1 | LCD SHEET, MFC3240C | | | |
| 1-3 | LF5492001 | 1 | LCD SHEET, MFC3340CN | | | |
| 1-4 | LG5355001 | 1 | LCD | | | |
| 2 | 087310815 | 4 | TAPTITE, CUP B M3X8 | | | |
| 3 | LF5924001 | 2 | ADDRESS LABEL | | | |

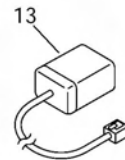
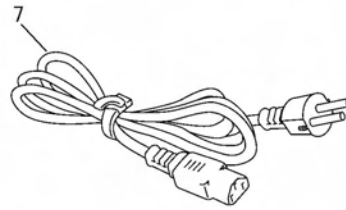
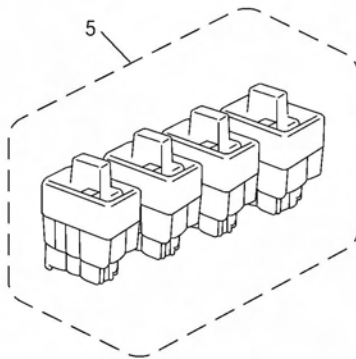
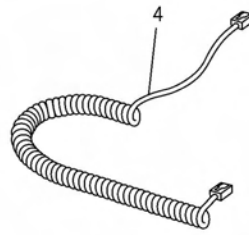
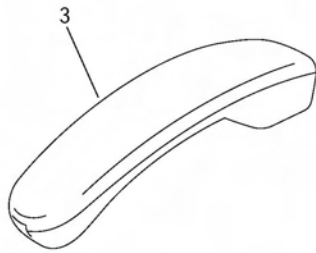
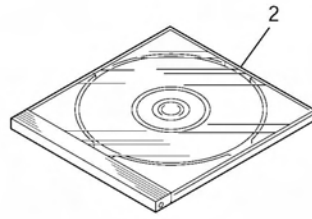
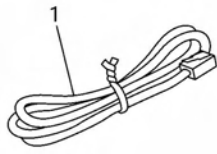
8.PCB



List8(PCB)

| REF No. | CODE | QTY | DESCRIPTION | RECOMMEN | SYMBOL | REMARK |
|---------|-----------|-----|---|----------|---------|--------|
| 1 | LG5597023 | 1 | MAIN PCB ASSY, FAX1840C | √ | B53K764 | |
| 1 | LG6023031 | 1 | MAIN PCB ASSY, FAX1835C | √ | B53K764 | |
| 1 | LG5622023 | 1 | MAIN PCB ASSY, FAX1940CN EXCEPT FOR CHN | √ | B53K764 | |
| 1 | LG6023034 | 1 | MAIN PCB ASSY, MFC3240C EXCEPT FOR CHN | √ | B53K764 | |
| 1 | LG5621022 | 1 | MAIN PCB ASSY, MFC3340CN | √ | B53K774 | |
| 1 | LG5597024 | 1 | MAIN PCB ASSY, FAX1940CN FOR CHN | √ | B53K764 | |
| 1 | LG6023035 | 1 | MAIN PCB ASSY, MFC3240C FOR CHN | √ | B53K764 | |
| 2 | LG7371054 | 1 | MJ PCB ASSY FOR GER/UK/FRA/BEL/NLD/CHE/IRE/DEN/AUS/SPA/ITA/POR/ PND/GNR | | B53K887 | CHG |
| 2 | LG7371056 | 1 | MJ PCB ASSY FOR CHN/HK/ASA/OCE | | B53K887 | CHG |
| 3 | LG5544001 | 1 | POWER SUPPLY PCB UNIT FOR GER/UK/FRA/BEL/NLD/CHE/IRE/DEN/AUS/SPA/ITA/POR/ PND/OCE/GNR | √ | | |
| 3 | LG6080001 | 1 | POWER SUPPLY PCB UNIT FOR CHN | √ | | |
| 3 | LG5743001 | 1 | POWER SUPPLY PCB UNIT FOR HK/ASA | √ | | |
| 4 | UF6559001 | 1 | SCREW, PAN (WASHER) M4X8DB | | | |

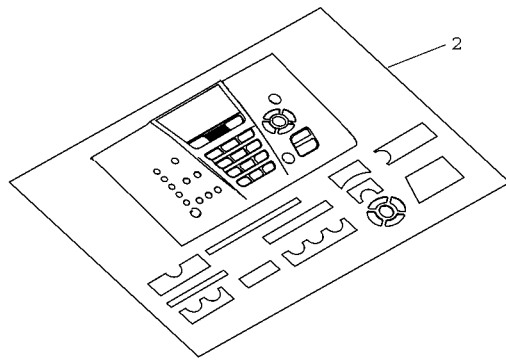
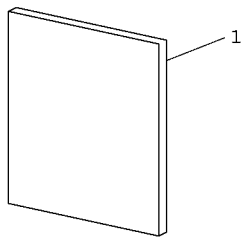
9.ACCESSORIES



List9(Accessories)

| REF No. | CODE | QTY | DESCRIPTION | RECOMMEND | REMARK |
|---------|----------------------|--------------|--|-----------|--------|
| 1 | UG3625001 | 1 | TELEPHONE LINE CORD FOR GER | | |
| 1 | UG3626001 | 1 | TELEPHONE LINE CORD FOR UK | | |
| 1 | UG3627001 | 1 | TELEPHONE LINE CORD FOR FRA | | |
| 1 | UG1575001 | 1 | TELEPHONE LINE CORD FOR BEL | | |
| 1 | LG3077001 | 1 | TELEPHONE LINE CORD FOR NLD/IRE/SPA/POR/CHN/ASA/OCE/GNR | | |
| 1 | LG7202001 | 1 | TELEPHONE LINE CORD FOR CHE | | CHG |
| 1 | LG5827001 | 1 | TELEPHONE LINE CORD FOR DEN/PND | | |
| 1 | UG4205001 | 1 | TELEPHONE LINE CORD FOR AUS | | |
| 1 | UG3634001 | 1 | TELEPHONE LINE CORD FOR ITA | | |
| 1 | UG3290001 | 1 | TELEPHONE LINE CORD FOR HK/OCE | | |
| 2 | LF5429001 | 1 | CD-ROM ASSY, WIN, MFC3240C FOR GER/UK/FRA/HK/ASA/OCE | | |
| 2 | LF5433001 | 1 | CD-ROM ASSY, WIN, MFC3340CN FOR GER/UK/FRA | | |
| 2 | LF5431001 | 1 | CD-ROM ASSY, WIN, MFC3240C FOR BEL/NLD/PND/GNR | | |
| 2 | LF5432001 | 1 | CD-ROM ASSY, WIN, MFC3240C FOR DEN/PND | | |
| 2 | LF5430001 | 1 | CD-ROM ASSY, WIN, MFC3240C FOR SPA/ITA/POR | | |
| 2 | LF5434001 | 1 | CD-ROM ASSY, WIN, MFC3340CN FOR SPA/ITA | | |
| 2 | LF7866001 | 1 | CD-ROM ASSY, WIN, MFC3240C FOR CHN | | |
| 2 | LF5439001 | 1 | CDROM ASSY, MAC, MFC3240C FOR GER/UK/FRA/CHE/IRE/AUS/SPA/ITA/POR/HK/ASA/OCE | | |
| 2 | LF5440001 | 1 | CDROM ASSY, MAC, MFC3240C FOR BEL/NLD/DEN/PND/GNR | | |
| 3 | LF1518016 | 1 | HANDSET ASSY, FAX1840C/FAX1940CN | | chg |
| 4 | LG3768011 | 1 | HANDSET CURLED CORD ASSY, FAX1840C/FAX1940CN | | |
| 5 | LF7986001 | 1 | PROTECTION CARTRIDGE SUPPLY ASSY | | chg |
| 6 | LF7430004 | 3 | PROTECTION CARTRIDGE, COLOR | | del |
| 7 | LG5717001 | 1 | AC CORD BAG ASSY, VDE FOR GER/FRA/BEL/NLD/AUS/SPA/ITA/POR/ASA/PND/GNR | | |
| 7 | LG5692001 | 1 | AC CORD BAG ASSY FOR UK/IRE/HK/ASA | | |
| 7 | LG5732001 | 1 | AC CORD BAG ASSY, SEV FOR CHE | | |
| 7 | LG5736001 | 1 | AC CORD BAG ASSY, DEMCO FOR DEN | | |
| 7 | LG5735001 | 1 | AC CORD BAG ASSY FOR CHN | | |
| 7 | LG5734001 | 1 | AC CORD BAG ASSY, SAA FOR OCE | | |
| 8 | LG3622001 | 1 | TELEPHONE PLUG FOR NLD | | |
| 9 | LG3509001 | 1 | TELEPHONE PLUG FOR OCE | | |
| (10) | LG5830001 | 1 | TELEPHONE PLUG FOR PND<SWEDEN> | | |
| (11) | LG5829001 | 1 | TELEPHONE PLUG FOR PND<FINLAND> | | |
| (12) | LG5828001 | 1 | TELEPHONE PLUG FOR PND<DENMARK> | | |
| 13 | UG3468000 | 1 | BT-MJ ADAPTER FOR HK | | |

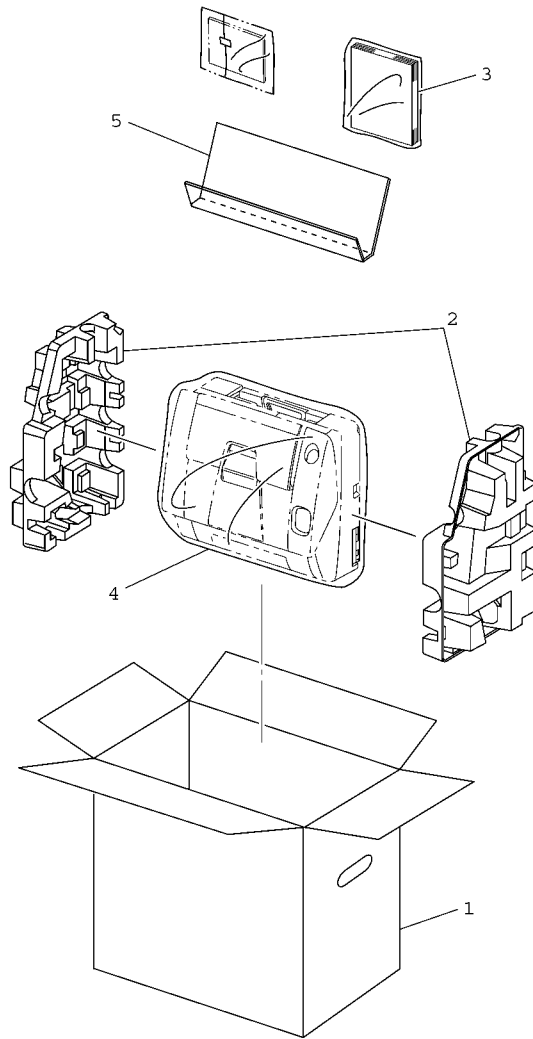
10.PRINTED MATERIALS



List10(PRINTED MATERIALS)

| REF No. | CODE | Q.TY | DESCRIPTION | RECOMMEND | REMARK |
|---------|-----------|------|--|-----------|--------|
| 1 | LF7538003 | 1 | USER'S GUIDE, FAX1835C/FAX1840C/FAX1940CN FOR GER/AUS | | |
| 1 | LF7535003 | 1 | USER'S GUIDE, MFC3240C/MFC3340CN FOR GER/AUS | | |
| 1 | LF7538004 | 1 | USER'S GUIDE, FAX1840C/FAX1940CN FOR UK/IRE/GNR | | |
| 1 | LF7535004 | 1 | USER'S GUIDE, MFC3240C/MFC3340CN FOR UK/IRE/GNR | | |
| 1 | LF7538005 | 1 | USER'S GUIDE, FAX1835C/FAX1840C/FAX1940CN FOR FRA | | |
| 1 | LF7535005 | 1 | USER'S GUIDE, MFC3240C/MFC3340CN FOR FRA | | |
| 1 | LF7538008 | 1 | USER'S GUIDE, FAX1840C FOR BEL <DUTCH> | | |
| 1 | LF7539008 | 1 | USER'S GUIDE, FAX1835C/FAX1840C/FAX1940CN FOR BEL/CHE <FRENCH> | | |
| 1 | LF7535008 | 1 | USER'S GUIDE, MFC3240C FOR BEL <DUTCH> | | |
| 1 | LF7536008 | 1 | USER'S GUIDE, MFC3240C FOR BEL/CHE <FRENCH> | | |
| 1 | LF7538009 | 1 | USER'S GUIDE, FAX1840C FOR NLD | | |
| 1 | LF7535009 | 1 | USER'S GUIDE, MFC3240C FOR NLD | | |
| 1 | LF7538010 | 1 | USER'S GUIDE, FAX1835C/FAX1940CN FOR CHE <GERMAN> | | |
| 1 | LF7535010 | 1 | USER'S GUIDE, MFC3240C FOR CHE <GERMAN> | | |
| 1 | LF7538013 | 1 | USER'S GUIDE, FAX1840C FOR DEN | | |
| 1 | LF7535013 | 1 | USER'S GUIDE, MFC3240C FOR DEN/PND | | |
| 1 | LF7538015 | 1 | USER'S GUIDE, FAX1840C/FAX1940CN FOR SPA | | |
| 1 | LF7535015 | 1 | USER'S GUIDE, MFC3240C/MFC3340CN FOR SPA | | |
| 1 | LF7538016 | 1 | USER'S GUIDE, FAX1835C/FAX1840C/FAX1940CN FOR ITA | | |
| 1 | LF7535016 | 1 | USER'S GUIDE, MFC3240C/MFC3340CN FOR ITA | | |
| 1 | LF7538018 | 1 | USER'S GUIDE, FAX1840C/FAX1940CN FOR POR | | |
| 1 | LF7535018 | 1 | USER'S GUIDE, MFC3240C FOR POR | | |
| 1 | LF7932001 | 1 | USER'S GUIDE, FAX1840C FOR CHN | | |
| 1 | LF7959001 | 1 | USER'S GUIDE, MFC3240C FOR CHN | | |
| 1 | LF7538007 | 1 | USER'S GUIDE, FAX1840C FOR PND <NORWEGIAN> | | |
| 1 | LF7538012 | 1 | USER'S GUIDE, FAX1840C FOR PND <FINNISH> | | |
| 1 | LF7538013 | 1 | USER'S GUIDE, FAX1840C FOR PND <DANISH> | | |
| 1 | LF7538026 | 1 | USER'S GUIDE, FAX1840C FOR PND <SWEDISH> | | |
| 1 | LF7535057 | 1 | USER'S GUIDE, MFC3240C FOR PND | | |
| 1 | LF7540001 | 1 | USER'S GUIDE, FAX1840C FOR ASA/OCE | | |
| 1 | LF7537001 | 1 | USER'S GUIDE, MFC3240C FOR HK/ASA/OCE | | |
| 2 | ---- | | NOT USED | | |

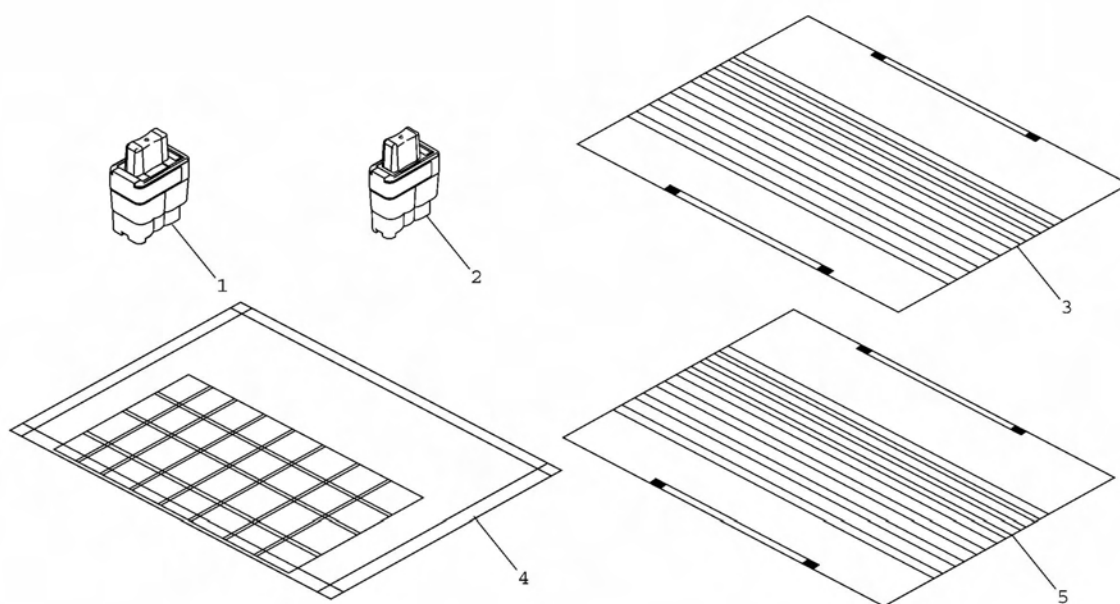
11.PACKAGING



List11(PACKAGING)

| REF No. | CODE | QTY | DESCRIPTION | RECOMMEND | REMARK |
|---------|-----------|-----|---|-----------|--------|
| 1 | LF5742001 | 1 | CARTON, BROTHER, FAX1835C | √ | |
| 1 | LF5745001 | 1 | CARTON, BROTHER, FAX1840C EXCEPT FOR CHN | √ | |
| 1 | LF7940001 | 1 | CARTON, BROTHER, FAX1840C FOR CHN | √ | |
| 1 | LF7933001 | 1 | CARTON, BROTHER, MFC3240C FOR CHN | √ | |
| 1 | LF5748001 | 1 | CARTON, BROTHER, FAX1940CN | √ | |
| 1 | LF5736001 | 1 | CARTON, BROTHER, MFC3240C FOR GER/UK/FRA/BEL/NLD/CHE/IRE/DEN/AUS/SPA/ITA/POR/PND/GNR | √ | |
| 1 | LF7707001 | 1 | CARTON, BROTHER, MFC3240C FOR HK/ASA/OCE | √ | |
| 1 | LF5739001 | 1 | CARTON, BROTHER, MFC3340CN | √ | |
| 2 | LF5483001 | 1 | PULP CUSHION ASSY | | |
| 3 | LF7563001 | 1 | QUICK SETUP GUIDE, FAX1835C/FAX1840C/FAX1940CN FOR | | |
| 3 | LF7547001 | 1 | QUICK SETUP GUIDE, MFC3240C/MFC3340CN FOR GER/AUS | | |
| 3 | LF7561001 | 1 | QUICK SETUP GUIDE, FAX1840C/FAX1940CN FOR UK/IRE | | |
| 3 | LF7545001 | 1 | QUICK SETUP GUIDE, MFC3240C/MFC3340CN FOR UK/IRE | | |
| 3 | LF7562001 | 1 | QUICK SETUP GUIDE, FAX1835C/FAX1840C/FAX1940CN FOR FRA | | |
| 3 | LF7546001 | 1 | QUICK SETUP GUIDE, MFC3240C/MFC3340CN FOR FRA | | |
| 3 | LF7568001 | 1 | QUICK SETUP GUIDE, FAX1835C/FAX1840C/FAX1940CN FOR BEL/CHE <FRENCH> | | |
| 3 | LF7567001 | 1 | QUICK SETUP GUIDE, FAX1840C FOR BEL <DUTCH> | | |
| 3 | LF7552001 | 1 | QUICK SETUP GUIDE, MFC3240C FOR BEL/CHE <FRENCH> | | |
| 3 | LF7551001 | 1 | QUICK SETUP GUIDE, MFC3240C FOR BEL <DUTCH> | | |
| 3 | LF7570001 | 1 | QUICK SETUP GUIDE, FAX1840C FOR NLD | | |
| 3 | LF7554001 | 1 | QUICK SETUP GUIDE, MFC3240C FOR NLD | | |
| 3 | LF7569001 | 1 | QUICK SETUP GUIDE, FAX1835C/FAX1940CN FOR CHE <GERMAN> | | |
| 3 | LF7553001 | 1 | QUICK SETUP GUIDE, MFC3240C FOR CHE <GERMAN> | | |
| 3 | LF7571001 | 1 | QUICK SETUP GUIDE, FAX1840C FOR DEN/PND <DANISH> | | |
| 3 | LF7555001 | 1 | QUICK SETUP GUIDE, MFC3240C FOR DEN/PND <DANISH> | | |
| 3 | LF7565001 | 1 | QUICK SETUP GUIDE, FAX1840C/FAX1940CN FOR SPA | | |
| 3 | LF7549001 | 1 | QUICK SETUP GUIDE, MFC3240C/MFC3340CN FOR SPA | | |
| 3 | LF7564001 | 1 | QUICK SETUP GUIDE, FAX1835C/FAX1840C/FAX1940CN FOR ITA | | |
| 3 | LF7548001 | 1 | QUICK SETUP GUIDE, MFC3240C/MFC3340CN FOR ITA | | |
| 3 | LF7566001 | 1 | QUICK SETUP GUIDE, FAX1840C/FAX1940CN FOR POR | | |
| 3 | LF7550001 | 1 | QUICK SETUP GUIDE, MFC3240C FOR POR | | |
| 3 | LF7936001 | 1 | QUICK SETUP GUIDE, FAX1840C FOR CHN | | |
| 3 | LF7960001 | 1 | QUICK SETUP GUIDE, MFC3240C FOR CHN | | |
| 3 | LF7576001 | 1 | QUICK SETUP GUIDE, FAX1840C FOR ASA/OCE | | |
| 3 | LF7560001 | 1 | QUICK SETUP GUIDE, MFC3240C FOR HK/ASA/OCE | | |
| 3 | LF7573001 | 1 | QUICK SETUP GUIDE, FAX1840C FOR PND <NORWEGIAN> | | |
| 3 | LF7557001 | 1 | QUICK SETUP GUIDE, MFC3240C FOR PND <NORWEGIAN> | | |
| 3 | LF7575001 | 1 | QUICK SETUP GUIDE, FAX1840C FOR PND <FINNISH> | | |
| 3 | LF7559001 | 1 | QUICK SETUP GUIDE, MFC3240C FOR PND <FINNISH> | | |
| 3 | LF7574001 | 1 | QUICK SETUP GUIDE, FAX1840C FOR PND <SWEDISH> | | |
| 3 | LF7558001 | 1 | QUICK SETUP GUIDE, MFC3240C FOR PND <SWEDISH> | | |
| 3 | LP0006001 | 1 | QUICK SETUP GUIDE, FAX1840C FOR GNR <CZECH/HUNGARIAN/POLISH> | | CHG |
| 3 | LP0007001 | 1 | QUICK SETUP GUIDE, FAX1840C FOR GNR <ENGLISH/BULGARIAN/ROMANIAN> | | ADD |
| 3 | LP0008001 | 1 | QUICK SETUP GUIDE, MFC3240C FOR GNR <CZECH/HUNGARIAN/POLISH> | | CHG |
| 3 | LP0009001 | 1 | QUICK SETUP GUIDE, MFC3240C FOR GNR <ENGLISH/BULGARIAN/ROMANIAN> | | ADD |
| 4 | LE3605001 | 1 | PE BAG 800X900H | | |
| 5 | LF7228001 | 1 | ACCESSORIES D | | |

12. OTHERS



List12(OTHERS)

| REF No. | CODE | QTY | DESCRIPTION | RECOMMEND | REMARK |
|---------|-----------|-----|---|-----------|--------|
| 1 | LK1349001 | 1 | DUMMY CARTRIDGE, BLACK < For ink drainage > | | |
| 2 | LK1350001 | 3 | DUMMY CARTRIDGE, COLOR < For ink drainage > | | |
| 3 | UF8263001 | 1 | TEST CHART-027 | | |
| 4 | UF9258001 | 1 | COLOR TEST CHART CTC-001 | | |
| 5 | UF4600001 | 1 | CONTRAST CHART TC-023 | | |

brother®

PL-FAX101
8XA930
Ver. N-1