

# brother Color Laser Printer HL-3450CN series Quick Setup Guide

Read the "Safety Sheet" first to ensure that you use this printer safely.  
Read this "Quick Setup Guide" before you set up the printer.

- Before you can use the printer, you must set up the hardware and install the driver.
- Identify the operating system on your computer (Windows® 95 / 98 / Me, Windows NT® 4.0, Windows® 2000 / XP or Macintosh®).
- The interface cable is not a standard accessory. Please purchase the appropriate interface cable for the interface you intend to use (Parallel, USB or Network).  
Most existing parallel cables support bi-directional communication, but some might have an incompatible pin assignment or may not be IEEE 1284 compliant.
- If you are an Administrator, configure your network printer settings referring to the **Network Quick Setup Guide** (reverse side).

## What is Included on the CD-ROM

You can Find a Variety of Information on the CD-ROM.



Windows®



Macintosh®

**Install Software**  
Install the printer driver and utilities.  
(Mac OS X is not supported by Install Software.)

**Maintenance Tutorial**  
Instructional movie for printer maintenance.

**Manual**  
View the User's Guide and Network User's Guide in PDF format. (Viewer included)

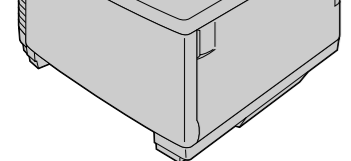
**Color PDF Print Samples**  
View color samples of printouts from an HL-3450CN in PDF format.

**Learn More**  
Watch instructional movies to learn about our unique software features.

**Brother Solutions Center**  
The Brother Solutions Center (<http://solutions.brother.com>) is your one-stop resource for all your printer needs. Download the latest drivers and utilities for your printers, read the FAQs and troubleshooting tips, or learn about special print solutions.

## Printer Carton Components

Carton components may differ from one country to another.  
Save all packing materials and the printer carton. They should be used when shipping the printer.



LJ3765001 Printed in Japan

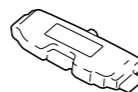
**CD-ROM** (including User's Guide)



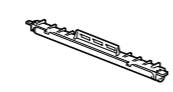
**Quick Setup Guide**  
Windows® Driver Installation Guide  
Macintosh® Driver Installation Guide



**Oil bottle**



**Fuser cleaner**



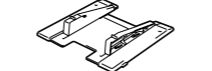
**AC power cord**



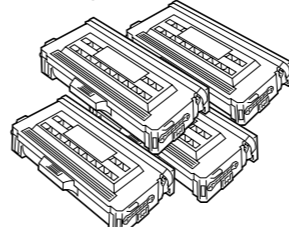
**Oil syringe**



**Envelope adapter**



**Toner cartridges** (Black, Yellow, Magenta and Cyan)



## Setting Up the Printer

### Step 1 Install the Oil Bottle and the Fuser Cleaner

- Remove the protective parts. Open the top cover.
- Release the oil bottle lock levers and the fuser cleaner lock levers.
- Move the fusing unit pressure release levers to the SET position.
- Install the oil bottle in the fusing unit with the label side facing you.
- Lock both oil bottle lock levers.
- Insert the fuser cleaner into the fusing unit with the roller side facing you.
- Lock both fuser cleaner lock levers.

### Step 2 Install the OPC Belt Cartridge

**Note:** Please be careful not to touch the green surface of the OPC belt or expose it to light for any length of time.

- Open the front cover.
- Release both belt cartridge lock levers by pulling them up.
- Remove the orange belt tension release pins from both sides of the OPC Belt cartridge. Remove the protective sheet.
- Insert the OPC belt cartridge into the printer guides with the flat side facing you.
- Lock the belt cartridge lock levers. Close the top cover.

### Step 3 Install the Toner Cartridges

- Rock the toner cartridge 3 to 4 times.
- Pull off the tape labeled 'REMOVE,' and then remove the orange protective cover.
- Install the toner cartridge by sliding it into the correct guide. Match the cartridge color label to the corresponding label on the printer.
- Repeat Steps 1 through 3 for the remaining toner cartridges. Close the front cover.

### Step 4 Load Paper in the Paper Tray

- Remove the paper tray cover.
- Adjust the paper guides to fit the size of paper you want to load. Load paper in the paper tray.
- Fit the paper tray cover. Insert the paper tray into the printer.

### Step 5 Print a Test Page

**Note:** When you want to change the language of the control panel message, refer to "Setting Your Language on the Control Panel" on the reverse side.

- Make sure the printer power button is off. Do NOT connect the interface cable.
- Connect the AC power cord to the printer, and then plug it into the AC outlet.
- Turn on the power button.
- After the printer has warmed up, the READY message will appear.
- Press the Go button. The printer will print a test page. Check that the test page is printed correctly.

# Network Quick Setup Guide

- If you are going to connect the printer to your network, we recommend that you contact your system administrator prior to installation.
- If you are an Administrator, configure your network printer setting referring to the following instructions.
- The default password for the print server is 'access'. You can use the BRAdmin Professional software or a web browser to change this password.

## Setting Your Language on the Control Panel

To change the language settings of the printer do the following.  
(All references are to what you will see in the lower portion of the LCD panel.)

- Press the + button until **SETUP** is displayed. Press the Set button.
- Press the Set button again.
- Scroll through the available languages by pressing the + or - buttons. Press the Set button to accept the appropriate language. An asterisk mark (\*) appears on the LCD.
- Press the Go button to put the printer back into its **READY** state.

## Setting Your Printer IP Address and Subnet Mask (Using the Control Panel)

To set the printer IP address using the printer control panel do the following.  
(All references are to what you will see in the lower portion of the LCD panel.)

- Press the + button until **NETWORK** is displayed. Press the Set button.
- Press the Set button again. **TCP/IP ENABLE** will be displayed.
- Press the + button until **IP ADDRESS=** is displayed. Press the Set button.
- Enter your IP address of the printer using the + and - buttons. Press the Set button to complete the IP address. An asterisk mark (\*) appears on the LCD.
- Press the + button until **SUBNET MASK=** is displayed. Press the Set button.
- Enter your subnet mask settings in the same way that you entered the IP address. An asterisk mark (\*) appears on the LCD.
- Press the Go button to put the printer back into its **READY** state.

For more information refer to the Network User's Guide on the supplied CD-ROM or go to <http://solutions.brother.com>

## For the Administrator (For Windows® Users Only)

### Install the BRAdmin Professional Configuration utility

The BRAdmin Professional software is designed to manage your Brother network connected devices. For example, Brother network ready printers and Brother network ready Multifunction devices can be managed using the BRAdmin Professional software. The BRAdmin Professional software can also be used to manage devices from other manufacturers whose products support the SNMP (Simple Network Management Protocol).  
For more information on the BRAdmin Professional utility go to <http://solutions.brother.com>

- Insert the CD-ROM into your CD-ROM drive. The opening screen will appear automatically. Follow the instructions on the screen.
- Click the Install Software icon on the Menu screen.
- Click "BRAdmin Professional" Follow the instructions on the screen.

## Network User's Guide Chapter Map

To configure the print server refer to the Network User's Guide.

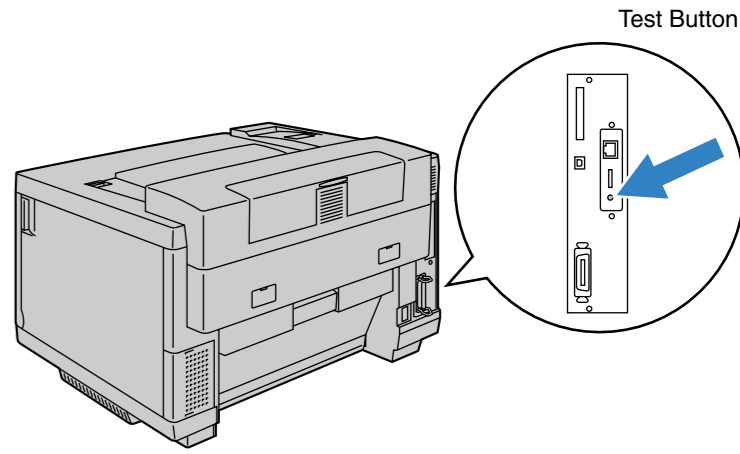
Operating System	Network Type	Protocol	Chapter	Topic
Windows® 95/98/Me	Peer-to-Peer	TCP/IP	Chapter 3	Peer-to-Peer Printing
	Brother Internet Print Network	NetBIOS	Chapter 4	NetBIOS Peer-to-Peer Printing
		TCP/IP	Chapter 5	How to Configure Internet Printing
Windows NT®	Peer-to-Peer	IPX/SPX	Chapter 6	Novell Network Printing
		TCP/IP	Chapter 2	TCP/IP Printing
	Netware	NetBIOS	Chapter 4	NetBIOS Peer-to-Peer Printing
Windows® 2000/XP	Peer-to-Peer	DLC/LLC	Chapter 8	DLC Printing
		TCP/IP	Chapter 5	How to Configure Internet Printing
	Netware	IPX/SPX	Chapter 6	Novell Network Printing
		TCP/IP	Chapter 2	TCP/IP Printing
	(Windows® 2000 only)	NetBIOS	Chapter 4	NetBIOS Peer-to-Peer Printing
		DLC/LLC	Chapter 8	DLC Printing
IPP (Internet Printing Protocol)	TCP/IP	Chapter 2	TCP/IP Printing	
UNIX/Linux	Peer-to-Peer	TCP/IP	Chapter 5	How to Configure Internet Printing
		IPX/SPX	Chapter 6	Novell Network Printing
Macintosh®	Peer-to-Peer	TCP/IP	Chapter 1	UNIX Printing
		AppleTalk	Chapter 7	Macintosh Printing
OS2 Warp Server	Peer-to-Peer	TCP/IP	Chapter 7	Macintosh Printing
		NetBIOS	Chapter 4	NetBIOS Peer-to-Peer Printing
LAN Server	Peer-to-Peer	TCP/IP	Chapter 2	TCP/IP Printing
		NetBIOS	Chapter 4	NetBIOS Peer-to-Peer Printing

## Print Configuration Page

To print a configuration page, use a fine ball point pen to hold down the Network Test Button for **less than 5 seconds**.

## Factory Default Setting

If you wish to reset the print server back to its default factory settings (resetting all information such as the password and IP address information), use a fine ball point pen to hold down the Network Test Button for **more than 5 seconds**.



©2001 Brother Industries, Ltd. ©1998-2001 TROY XCD Inc. ©1983-1998 PACIFIC SOFTWARES INC. ALL RIGHTS RESERVED  
Windows and Windows NT are registered trademarks of Microsoft Corporation in the U.S. and other countries. HP, HP/UX, JetDirect and JetAdmin are trademarks of Hewlett-Packard Company. UNIX is a trademark of UNIX Systems Laboratories. PostScript is trademark of Adobe Systems Incorporated. Netware is a trademark of Novell, Inc. Apple Macintosh, iMac, LaserWriter, and AppleTalk are trademarks of Apple Computer, Inc.  
All other brand and product names are registered trademarks or trademarks of respective companies.