

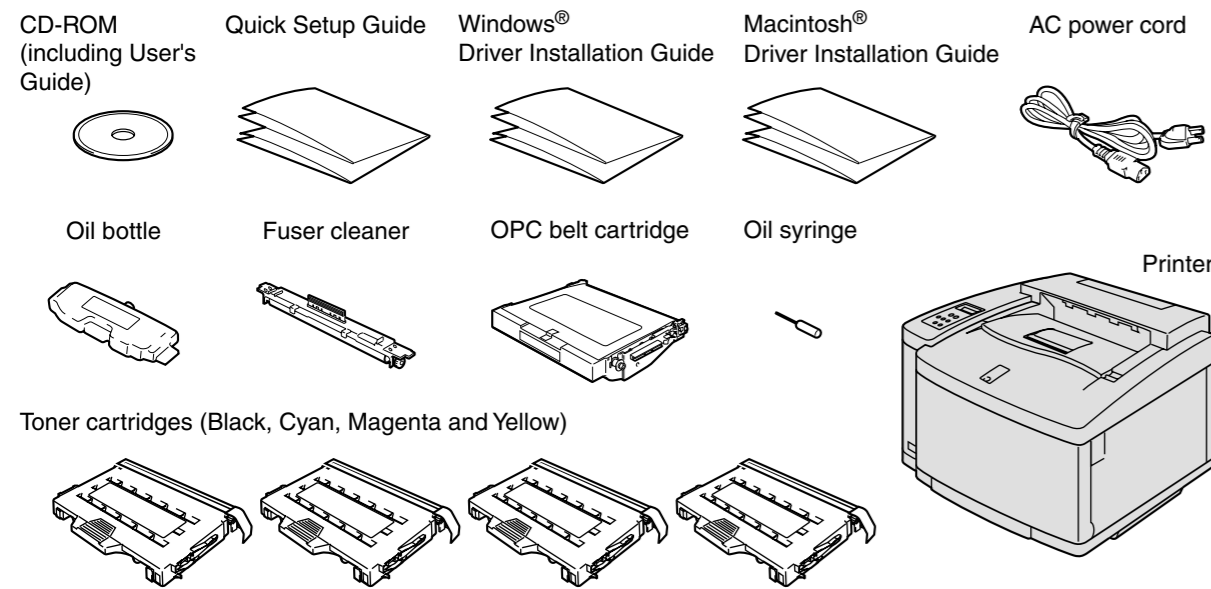
# brother Color Laser Printer HL-2600CN series Quick Setup Guide

Read the "Safety Sheet" first to ensure that you use this printer safely. Read this "Quick Setup Guide" before you set up the printer.

- Before you can use the printer, you must set up the hardware and install the driver.
- Identify the operating system on your computer (Windows® 95 / 98 / Me, Windows NT® 4.0, Windows® 2000 / XP or Macintosh®).
- The interface cable is not a standard accessory. Please purchase the appropriate interface cable for the interface you intend to use (Parallel, USB or Network). Most existing parallel cables support bi-directional communication, but some might have an incompatible pin assignment or may not be IEEE 1284 compliant.
- If you are an Administrator: Configure your network printer settings referring to the reverse side of this sheet.

## Carton Components

Carton components may differ from one country to another. Save all packing materials and the printer carton. They should be used when shipping the printer.



## What is Included on the CD-ROM

You can Find a Variety of Information on this CD-ROM.



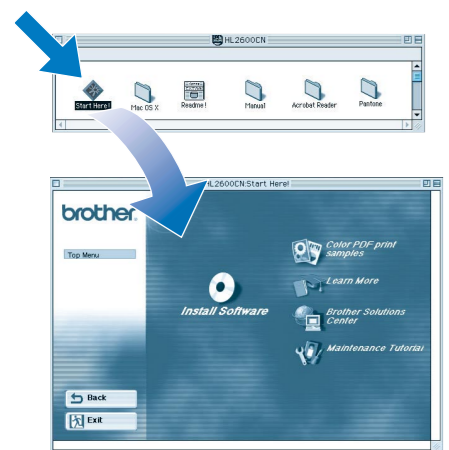
Windows®

- Install Software**  
Install the printer driver and utilities. (Mac OS X is not supported by Install Software).
- Maintenance Tutorial**  
Instructional movie for printer maintenance.
- Manual**  
View the User's Guide and Network User's Guide in PDF format. (Viewer included)

- Color PDF Print Samples**  
View color samples of printouts from an HL-2600CN in PDF format.

- Learn More**  
Watch instructional movies to learn about our unique software features.

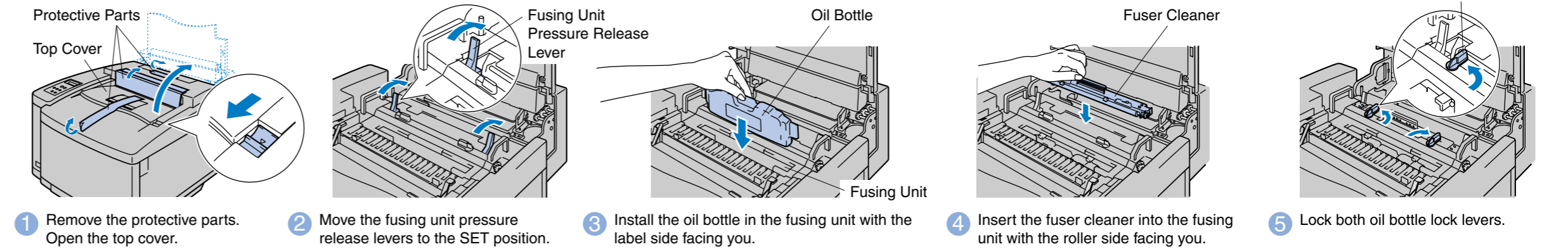
- Brother Solutions Center**  
The Brother Solutions Center (<http://solutions.brother.com>) is your one-stop resource for all your printer needs. Download the latest drivers and utilities for your printers, read the FAQs and troubleshooting tips or learn about special print solutions.



Macintosh®

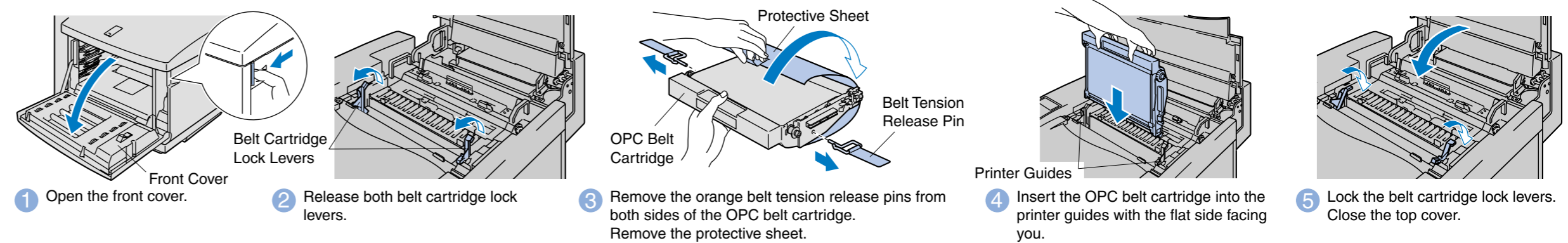
## Setting Up the Printer

### Step 1 Install the Oil Bottle and the Fuser Cleaner

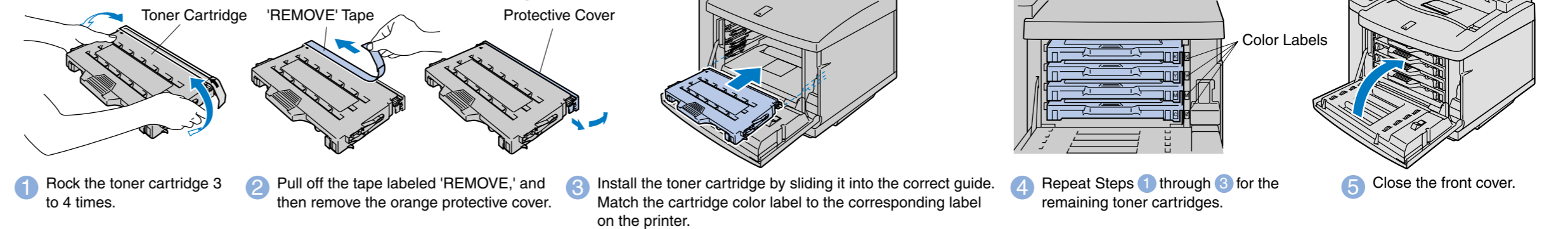


### Step 2 Install the OPC Belt Cartridge

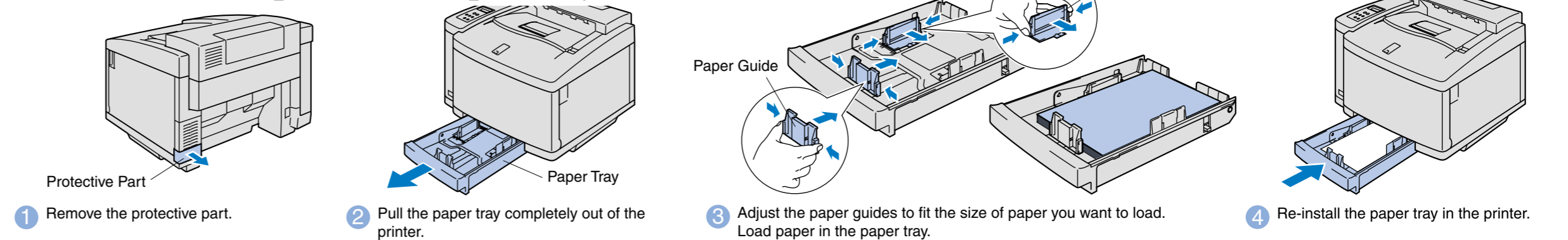
Note: Please be careful not to touch the green surface of the OPC belt or expose it to light for any length of time.



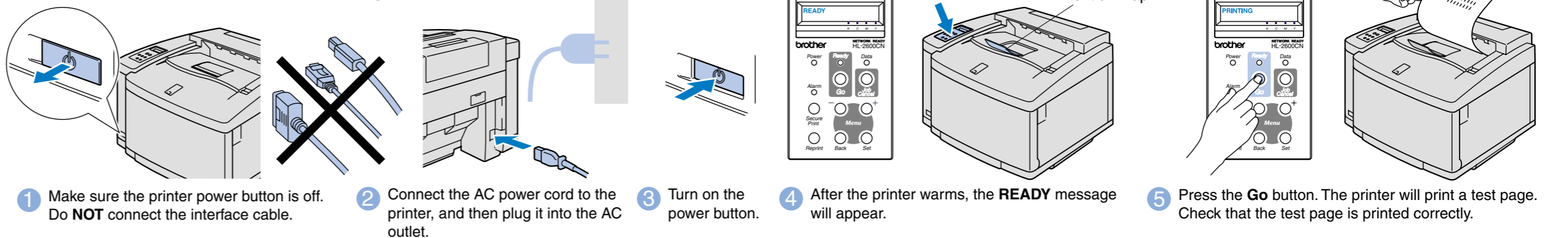
### Step 3 Install the Toner Cartridges



### Step 4 Load Paper in the Paper Tray



### Step 5 Print a Test Page



Note: When you want to change the language of the control panel message, refer to "Setting Your Language on the Control Panel" on the reverse.

Continue to the **Windows®** Driver Installation Guide or **Macintosh®** Driver Installation Guide.

# Network Quick Setup Guide

- If you are going to connect the printer to your network, we recommend that you contact your system administrator prior to installation.
- If you are an Administrator: Configure your network printer setting referring to the following instructions.
- The default password for the print server is 'access'. You can use the BRAdmin Professional Software or a web browser to change this password.

## Setting Your Language on the Control Panel

To change the language settings of the printer do the following.  
(All references are to what you will see in the lower portion of the LCD panel.)

- Press the + button until **SETUP** is displayed. Press the Set button.
- Press the Set button again.
- Scroll through the available languages by pressing the + or - buttons. Press the Set button to accept the appropriate language. An asterisk mark (\*) appears on the LCD.
- Press the Go button to put the printer back into its **READY** state.

## Setting Your Printer IP Address and Subnet Mask (Using the Control Panel)

To set the printer IP address using the printer control panel do the following.  
(All references are to what you will see in the lower portion of the LCD panel.)

- Press the + button until **NETWORK** is displayed. Press the Set button.
- Press the Set button again.
- Press the + button until **IP ADDRESS =** is displayed. Press the Set button.
- Enter the IP address of the printer using the + and - buttons. Press the Set button to go to next digit. Press the Set button to complete the IP address. An asterisk mark (\*) appears on the LCD.
- Press the + button until **SUBNET MASK =** is displayed. Press the Set button.
- Enter the subnet mask settings in the same way that you entered the IP address. An asterisk mark (\*) appears on the LCD.
- Press the Go button to put the printer back into its **READY** state.

For more information refer to the Network User's Guide on the supplied CD-ROM or go to <http://solutions.brother.com>

©2001 Brother Industries, Ltd. ©1998-2001 TROY XCD Inc. ©1983-1998 PACIFIC SOFTWARES INC. ALL RIGHTS RESERVED  
Windows and Windows NT are registered trademarks of Microsoft Corporation in the U.S. and other countries. HP, HP/UX, JetDirect and JetAdmin are trademarks of Hewlett-Packard Company. UNIX is a trademark of UNIX Systems Laboratories. PostScript is trademark of Adobe Systems Incorporated. Netware is a trademark of Novell, Inc. Apple Macintosh, iMac, LaserWriter, and AppleTalk are trademarks of Apple Computer, Inc. BRAdmin Professional is a trademark of Brother Industries, Ltd.  
All other brand and product names mentioned in this Network Quick Setup Guide and User's Guide are registered trademarks or trademarks of respective companies.

## For the Administrator (For Windows® Users Only)

### Install the BRAdmin Professional Configuration utility

The BRAdmin Professional software is designed to manage your Brother network connected devices. For example, Brother network ready printers and Brother network ready Multifunction devices can be managed using the BRAdmin Professional software. The BRAdmin Professional software can also be used to manage devices from other manufacturers whose products support the SNMP (Simple Network Management Protocol).  
For more information on the BRAdmin Professional utility go to <http://solutions.brother.com>

- Insert the CD-ROM into your CD-ROM drive. The opening screen will appear automatically. Follow the instructions on the screen.
- Click the Install Software icon on the Menu screen.
- Click "BRAdmin Professional." Follow the instructions on the screen.

## Network User's Guide Chapter Map

To configure the print server refer to the Network User's Guide.

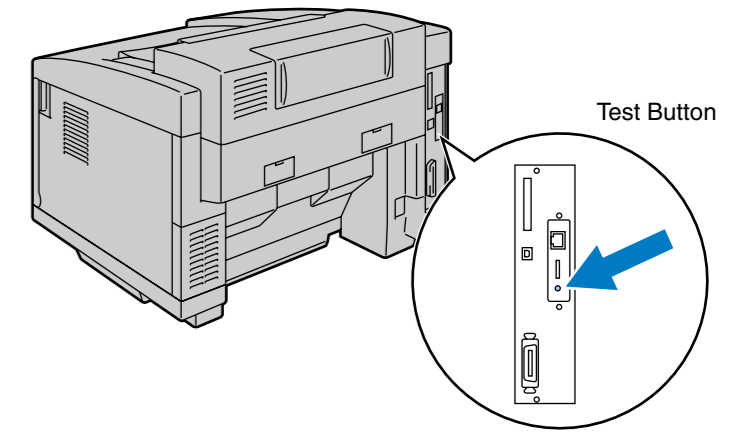
	Windows®	Macintosh®
Windows® 95/98/Me	Peer-to-Peer	TCP/IP Chapter 3 Peer-to-Peer Printing
	Brother Internet Print	NetBIOS Chapter 4 NetBIOS Peer-to-Peer Printing
	Netware	TCP/IP Chapter 5 How to Configure Internet Printing
Windows NT®	Peer-to-Peer	IPX/SPX Chapter 6 Novell Network Printing
	Brother Internet Print (NT® 4.0 only)	TCP/IP Chapter 2 TCP/IP Printing
	Netware	NetBIOS Chapter 4 NetBIOS Peer-to-Peer Printing
Windows® 2000/XP	Peer-to-Peer	DLC/LLC Chapter 8 DLC Printing
	(Windows® 2000 only)	Brother Internet Print (NT® 4.0 only) TCP/IP Chapter 5 How to Configure Internet Printing
	IPP (Internet Printing Protocol)	IPX/SPX Chapter 6 Novell Network Printing
UNIX/Linux	Brother Internet Print	TCP/IP Chapter 2 TCP/IP Printing
	Netware	TCP/IP Chapter 5 How to Configure Internet Printing
	NetBIOS	Chapter 4 NetBIOS Peer-to-Peer Printing
Macintosh®	TCP/IP	Chapter 7 Macintosh Printing
	AppleTalk	Chapter 7 Macintosh Printing
OS2 Warp Server	TCP/IP	Chapter 2 TCP/IP Printing
	NetBIOS	Chapter 4 NetBIOS Peer-to-Peer Printing
LAN Server		

## Print Configuration Page

To print a configuration page, use a fine ball point pen to hold down the Network Test Button for **less** than 5 seconds.

## Factory Default Setting

If you wish to reset the print server back to its default factory settings (resetting all information such as the password and IP address information), use a fine ball point pen to hold down the Network Test Button for **more** than 5 seconds.



©2001 Brother Industries, Ltd. ©1998-2001 TROY XCD Inc. ©1983-1998 PACIFIC SOFTWARES INC. ALL RIGHTS RESERVED  
Windows and Windows NT are registered trademarks of Microsoft Corporation in the U.S. and other countries. HP, HP/UX, JetDirect and JetAdmin are trademarks of Hewlett-Packard Company. UNIX is a trademark of UNIX Systems Laboratories. PostScript is trademark of Adobe Systems Incorporated. Netware is a trademark of Novell, Inc. Apple Macintosh, iMac, LaserWriter, and AppleTalk are trademarks of Apple Computer, Inc. BRAdmin Professional is a trademark of Brother Industries, Ltd.  
All other brand and product names mentioned in this Network Quick Setup Guide and User's Guide are registered trademarks or trademarks of respective companies.