

THANK YOU!

CONGRATULATIONS ON PURCHASING THE ULTIMATE BROTHER MACHINE. WE ARE SURE YOU WILL BE THRILLED WITH THE CONVENIENT WAY YOUR NEW MACHINE PERFORMS SO MANY TASKS WITH DAZZLING RESULTS!

For more details, press **Reports** and **1** on your machine or see your Owner's Manual.

If you cannot solve a problem: Refer to **Frequently Asked Questions (FAQs)** on Brother World Wide Web;

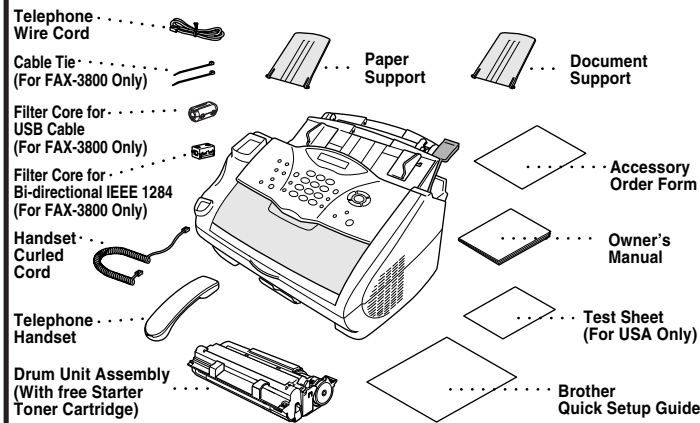
URL: <http://solutions.brother.com>

Call Brother Customer Service at:

USA: 1-800-284-4329 (9AM-5PM EST)
1-800-284-3238 (TTY service for the hearing impaired)

In Canada: 1-800-853-6660 (8AM-8PM EST)
1-514-685-6464 (in Montreal)

1 Packing List



Keep the packing materials for possible future transport. If you do not pack the machine properly, it may void your warranty.

2 Install the Drum Unit

A. Unpack the drum unit assembly, and gently rock it from side to side five or six times to distribute the toner evenly inside the cartridge.

1 To prevent damage to the drum, do not expose it to light for longer than a few minutes.
2 Do NOT remove the clear plastic starter sheet-this will be ejected while the FAX is warming up.

B. Open the top cover of the machine.

C. Holding the drum unit by its handles, insert it into the FAX.

D. Close the top cover.

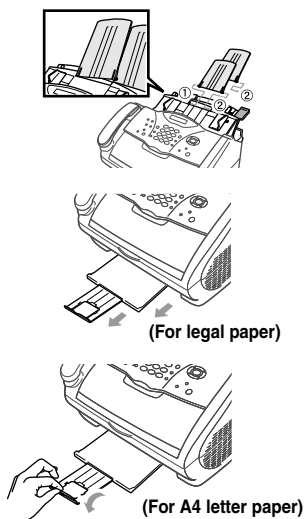
Do NOT remove the Starter Sheet!

3 Attach the Plastic Supports and Pull out the Paper Tray

A. Attach the plastic document and paper support to the multi-purpose sheet feeder.

B. Pull out the paper tray and the extension.

C. If your paper size is A4 or Letter, unfold the paper stopper by pulling it toward you.

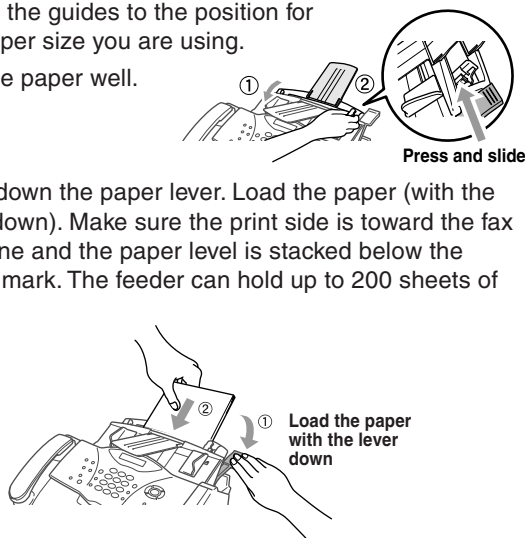


4 Load Paper

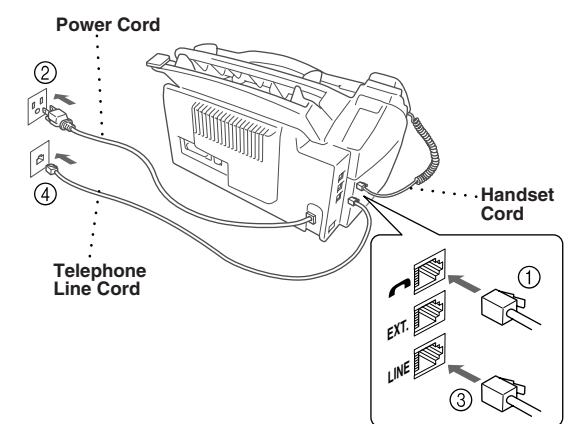
A. Adjust the guides to the position for the paper size you are using.

B. Fan the paper well.

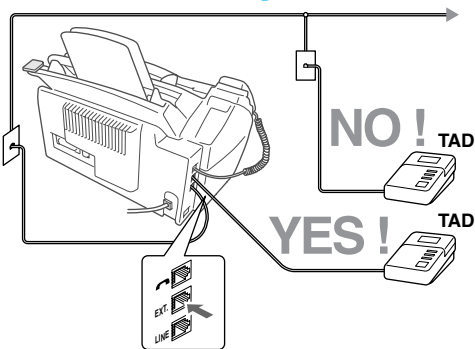
C. Push down the paper lever. Load the paper (with the lever down). Make sure the print side is toward the fax machine and the paper level is stacked below the paper mark. The feeder can hold up to 200 sheets of paper.



5 Install Handset, Power Cord and Phone Line



6 If you are sharing one phone line with an external telephone answering device, connect it now to the external jack.



Note: Please select "TAD" on your machine if you have an external answering machine. (For more details, see page 2-9 to 2-10 in Owner's Manual.)

7 Select a Receive Mode

Choose the mode that best suits your needs by pressing **Receive Mode** repeatedly until the screen displays the setting you want to use.

FAX ONLY

For use with a dedicated fax line. Every call is answered as a fax.

FAX/TEL

For receiving fax and voice calls on one line. The MFC answers every call and receives a fax or double rings for you to pick up a voice call.

TAD: ANSWER MACH.

For use with an external answering device. The TAD answers every call and stores voice messages. Fax messages are printed. Make sure that TAD is connected to external jack.

MANUAL

You control the phone line and must answer every call yourself. For more details, see page 5-2 in Owner's Manual.

8 Set Date and Time

A. Press **Menu/Set**, **1**, **2**.

2. DATE/TIME
YEAR: XX

B. Enter the last two digits of the year and press **Menu/Set**.

MONTH: XX

C. Enter two digits for the month and press **Menu/Set**.

DAY: XX

D. Enter two digits for the day and press **Menu/Set**.

TIME: XX:XX

E. Enter the time in 24-hour format and press **Menu/Set**.

F. Press **Stop/Exit**.

Note: If you can't step forward, press **Stop/Exit** and repeat from Step A.

9 Set Station ID

A. Press **Menu/Set**, **1**, **3**.

3. STATION ID

FAX:

B. Enter your fax number, then press **Menu/Set**.

TEL:

C. Enter your telephone number, then press **Menu/Set**.

NAME:

D. Enter your name using the dial pad and the chart below, then press **Menu/Set**. Use the right arrow to create spaces.

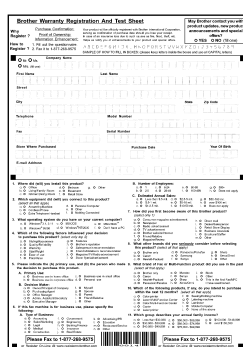
E. Press **Stop/Exit**.

For more details, see page 4-2 in Owner's Manual.

Note: If you can't step forward, press **Stop/Exit** and repeat from Step A.

Key	once	twice	three times	four times	five times
2	A	B	C	4	A
3	D	E	F	3	D
4	G	H	I	4	G
5	J	K	L	5	J
6	M	N	O	6	M
7	P	Q	R	7	P
8	T	U	V	8	T
9	W	X	Y	Z	9

10 For the USA, complete the Warranty Registration and Test Sheet...



Press Fax Start.

...and fax it to Brother at: 1-877-268-9575

11 Install Printer Driver from the Web Site (For FAX-2900 and FAX-3800 Only)

You can download the Brother Printer Driver from the Brother Solutions Center. Visit us at:

<http://solutions.brother.com>